

**BALDOR • RELIANCE**

---

# Customer information packet

## AFM3530

1.5HP, 3450RPM, 3PH, 60HZ, 143TZ, 3424M, TEAO

Class - None

Division - Not Applicable

## Specifications

Enclosure	TEAO
Frame	143TZ
Frame Material	Steel
Frequency	60.00 Hz
Haz Area Class and Group	None
Haz Area Division	Not Applicable
Motor Letter Type	Three Phase
Output @ Frequency	1.500 HP @ 60 HZ
Phase	3
Synchronous Speed @ Frequency	3600 RPM @ 60 HZ
Voltage @ Frequency	460.0 V @ 60 HZ 230.0 V @ 60 HZ 208.0 V @ 60 HZ
Agency Approvals	CSA UR
Ambient Temperature	40 °C
Auxillary Box	No Auxillary Box
Auxillary Box Lead Termination	None
Base Indicator	Rigid
Bearing Grease Type	Polyrex EM (-20F +300F)
Blower	None
Current @ Voltage	4.900 A @ 208.0 V 4.600 A @ 230.0 V 2.300 A @ 460.0 V
Design Code	B
Drip Cover	No Drip Cover
Duty Rating	CONT
Efficiency @ 100% Load	80.0 %
Electrically Isolated Bearing	Not Electrically Isolated
Feedback Device	NO FEEDBACK
Front Face Code	Standard
Front Shaft Indicator	None

## Part detail

Revision	K
Type	AC
Mech. spec.	34K954
Base	
Status	PRD/A
Elec. spec.	34WG0283
Layout	34LYK954
Eff. date	01-02-2025
CD Diagram	CD0005
Poles	02
Leads	9#18 14" minimum Y
Proprietary	False
Created date	10-18-2007

Heater Indicator	No Heater
High Voltage Full Load Amps	2.3 a
Insulation Class	B
Inverter Code	Not Inverter
KVA Code	L
Lifting Lugs	No Lifting Lugs
Locked Bearing Indicator	No Locked Bearing
Motor Lead Exit	Terminal Panel
Motor Lead Quantity/Wire Size	9 @ 18 AWG
Motor Lead Termination	Flying Leads
Motor Standards	NEMA
Motor Type	3424M
Mounting Arrangement	F1
Number of Poles	2
Overall Length	12.45 IN
Power Factor	74
Product Family	General Purpose
Pulley End Bearing Type	Ball
Pulley Face Code	Standard
Pulley Shaft Indicator	Tapped & Key
Rodent Screen	None
Service Factor	1.15
Shaft Diameter	0.875 IN
Shaft Extension Location	Pulley End
Shaft Ground Indicator	No Shaft Grounding
Shaft Rotation	Reversible
Shaft Slinger Indicator	No Slinger
Speed	3450 rpm
Speed Code	Single Speed
Starting Method	Direct on line
Thermal Device - Bearing	None
Thermal Device - Winding	Normally Closed Thermostat
Vibration Sensor Indicator	No Vibration Sensor
Winding Thermal 1	None

**Nameplate**

<b>NP1279L</b>							
<b>CAT.NO.</b>	AFM3530						
<b>SPEC.</b>	34K954-0283G1						
<b>HP</b>	1.5						
<b>VOLTS</b>	208-230/460						
<b>AMP</b>	4.9-4.6/2.3						
<b>RPM</b>	3450						
<b>FRAME</b>	143TZ	<b>HZ</b>	60	<b>PH</b>	3		
<b>SER.F.</b>	1.15	<b>CODE</b>	L	<b>DES</b>	B	<b>CL</b>	B
<b>NEMA-NOM-EFF</b>	80	<b>PF</b>	74				
<b>RATING</b>	40C AMB-CONT						
<b>CC</b>							
<b>DE</b>	6205	<b>ODE</b>	6203				
<b>ENCL</b>	TEAO	<b>SN</b>					

## Parts list

Part number	Description	Quantity
SA166388	SA 34K954-0283G1	1.000 ea
RA154766	RA 34K954-0283G1	1.000 ea
11XW0832G06	#8-32 X 3/8, TAPTITE II, HEX WSHR SLTD	1.000 ea
SP1000A09	TERM BOARD, MODEL 34 SW, (RPL SP1000A01)	1.000 ea
MG1025C02	WILKOFASG SG, 787.105, TAN	0.014 ga
85XU0407S04	4X1/4 U DRIVE PIN STAINLESS	2.000 ea
RM1001A01	GROMMET "MIDSTATES"	1.000 ea
34EP3204C01	SPL. FR. ENDPLATE 34L ENCL.	1.000 ea
HW5100A03	WAVY WASHER (W1543-017)	1.000 ea
34EP3904T01	PU ENDPLATE, MACH	1.000 ea
XY1032A02	10-32 HEX NUT DIRECTIONAL SERRATION	4.000 ea
HW2501D13	KEY, 3/16 SQ X 1.375	1.000 ea
HA7000A01	KEY RETAINER 7/8" DIA SHAFT	1.000 ea
34CB4501SP	TERMINAL BOX LID, STAMPED X (PLATED)	1.000 ea
34GS1005	GASKET, TERM PLATE LID	1.000 ea
51XW0832A07	8-32 X .44, TAPTITE II, HEX WSHR SLTD SE	2.000 ea
51XW0832A07	8-32 X .44, TAPTITE II, HEX WSHR SLTD SE	2.000 ea
HA3100A45	THRUBOLT 10-32 X 8.875	4.000 ea
MN416A01	TAG-INSTAL-MAINT no wire (2500bx)4/22	1.000 ea
LC0005E01	CONN.DIA./WARNING LABEL (LC0005/LB1119N)	1.000 ea
NP1279L	ALUM FARM DUTY UL CSA CC	1.000 ea
35PA1066	PKG GRP, PRINT PK1008A06	1.000 ea

**AC Induction Motor Performance Data**

Record # 33039

Typical performance - not guaranteed values

Winding: 34WG0283-R018		Type: 3424M		Enclosure: TEAO	
<b>Nameplate Data</b>			<b>460 V, 60 Hz: High Voltage Connection</b>		
Rated Output (HP)	1.5	Full Load Torque	2.25 LB-FT		
Volts	208-230/460	Start Configuration	direct on line		
Full Load Amps	4.9-4.6/2.3	Breakdown Torque	10.6 LB-FT		
R.P.M.	3450	Pull-up Torque	10 LB-FT		
Hz	60 Phase	Locked-rotor Torque	11.7 LB-FT		
NEMA Design Code	B KVA Code	Starting Current	18.4 A		
Service Factor (S.F.)	1.15	No-load Current	1.4 A		
NEMA Nom. Eff.	80 Power Factor	Line-line Res. @ 25°C	8.53 Ω		
Rating - Duty	40C AMB-CONT	Temp. Rise @ Rated Load	71°C		
S.F. Amps		Temp. Rise @ S.F. Load	83°C		
		Locked-rotor Power Factor	67		
		Rotor inertia	0.0223 LB-FT <sup>2</sup>		

**Load Characteristics 460 V, 60 Hz, 1.5 HP**

% of Rated Load	25	50	75	100	125	150	S.F.
Power Factor	39	57	68	76	81	84	79
Efficiency	70.7	79.6	81.8	82.3	81.7	80.6	81.9
Speed	3564	3533	3501	3466	3429	3394	3444
Line amperes	1.5	1.7	2	2.3	2.7	3	2.54

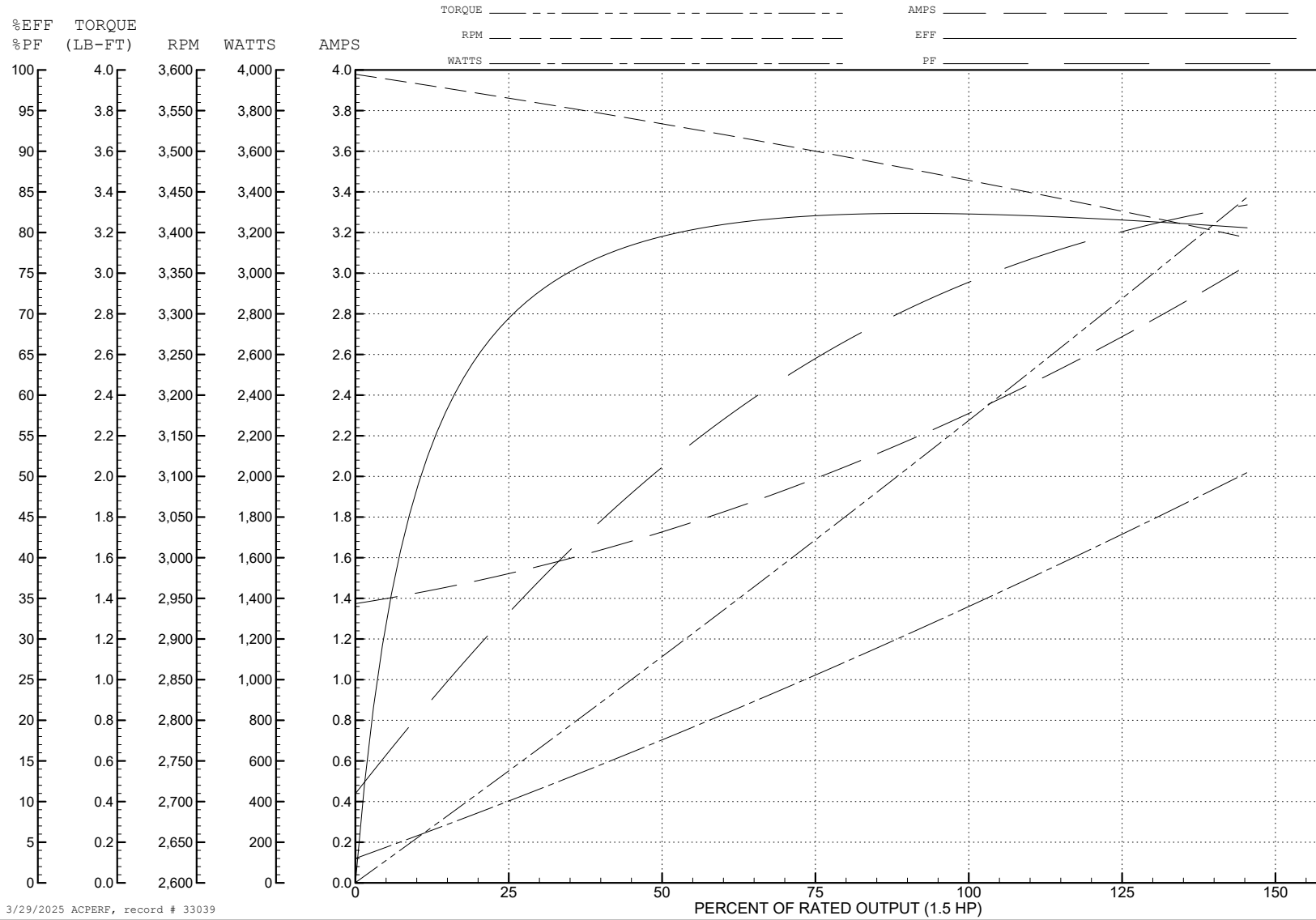
ABB Motors and Mechanical Inc.

WINDING # 34WG0283

Typical performance - not guaranteed values.

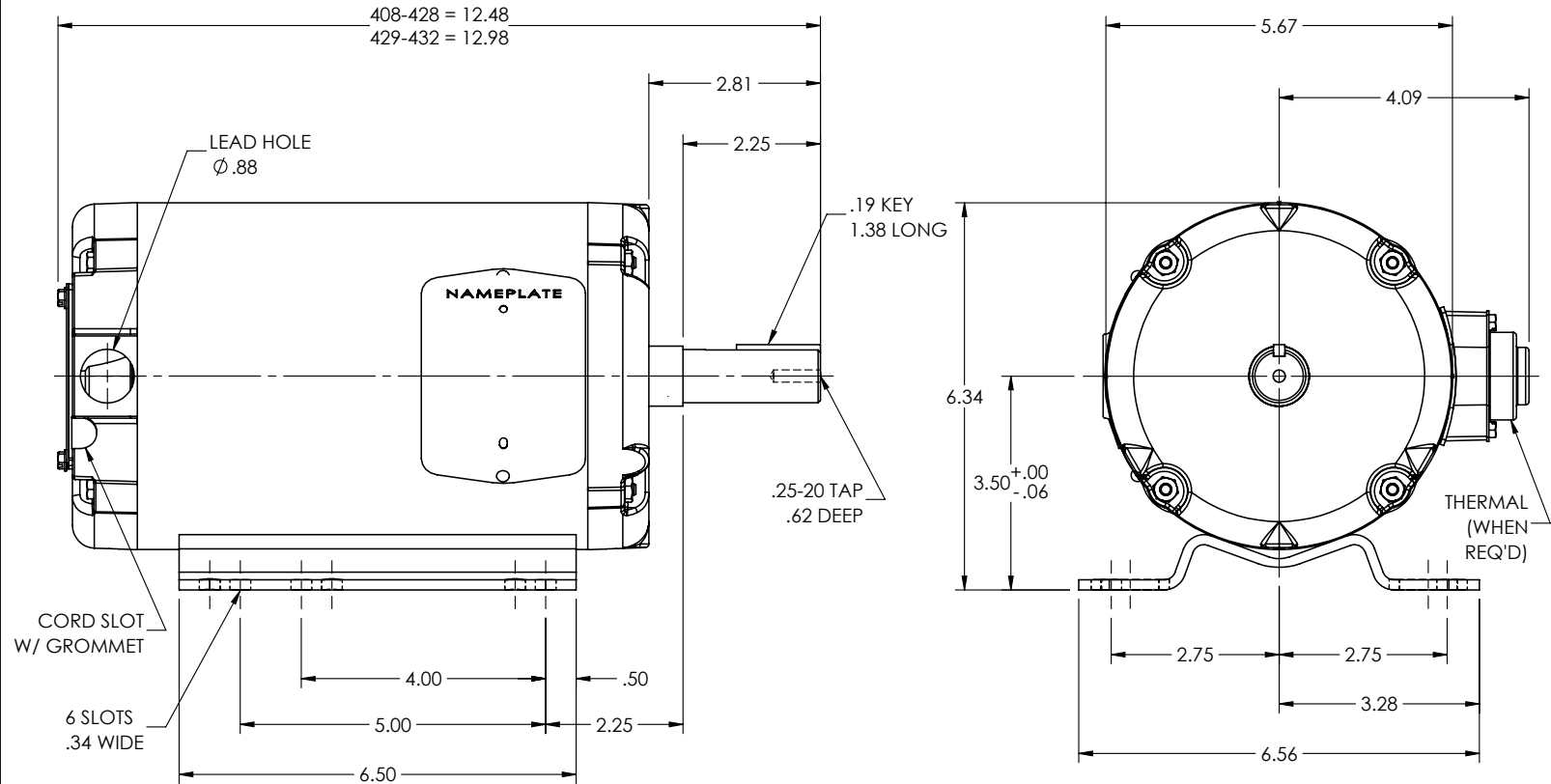
1.5 HP 3 PH 60 HZ 3450 RPM 460 V 3424M

TORQUES (LB-FT): PO=10.6 PU=10 LR=11.7 LRA=18.4



3/29/2025 ACPERF, record # 33039

34LYK954



CUSTOMER IS RESPONSIBLE FOR DETERMINING THAT THE PRODUCT WILL PERFORM SUITABLY IN THE INTENDED APPLICATION

REV. DESC: LOAD TO SOLIDWORKS - REV A			
REV: B	VERSION: 02	REVISED: 10:10:37 01/06/2023	TDR: 000001201165
34LYK954	MODEL NO. 34LYK954		REF: -
	BY: ENFRAJ0		

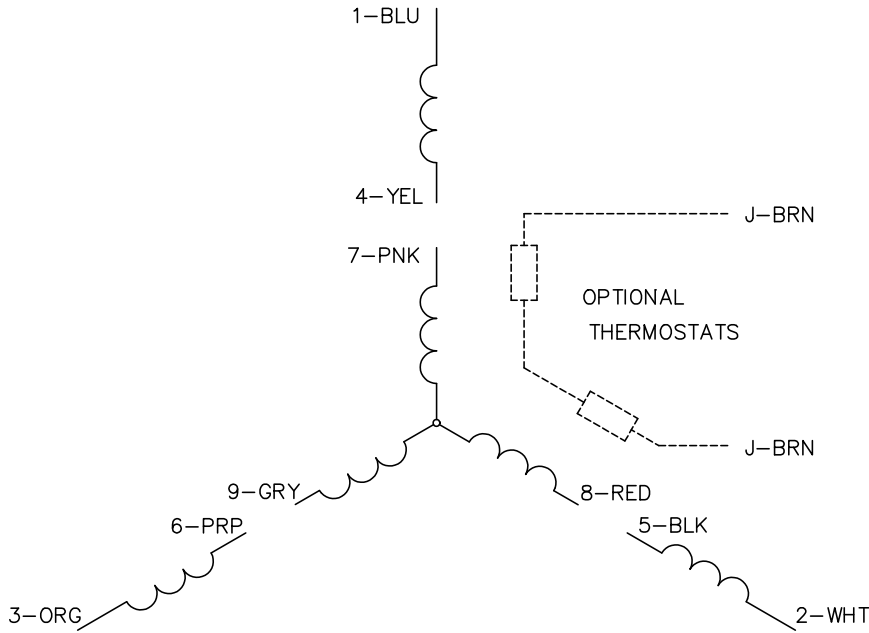
**BALDOR - RELIANCE®**

HORZ MODEL 34M NEMA 143-5TZ TEAO W/ TERM. PANEL

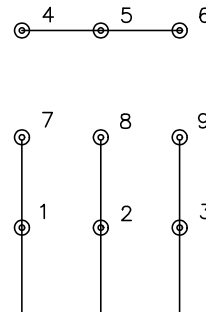
34LYK954



CD0005

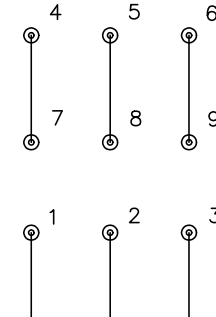


LOW VOLTAGE  
(2Y)



LINE

HIGH VOLTAGE  
(1Y)



LINE

NOTES:

1. INTERCHANGE ANY TWO LINE LEADS TO REVERSE ROTATION.
2. OPTIONAL THERMOSTATS ARE PROVIDED WHEN SPECIFIED.
3. ACTUAL NUMBER OF INTERNAL PARALLEL CIRCUITS MAY BE A MULTIPLE OF THOSE SHOWN ABOVE.
4. LEAD COLORS ARE OPTIONAL. LEADS MUST ALWAYS BE NUMBERED AS SHOWN.

CD0005

REV. DESC: REVISE TO SHOW OPTIONAL COLORS

REV. LTR: E BY: JLP REVISED: 01/19/99 10:15 TDR: 0171435

500000

FILE: AAA00005140

MDL: -

MTL: -

**BALDOR ELECTRIC Co.**

3PH, DV, 9 LEADS