



Customer information packet

ANFL3504M

.5HP, 1725RPM, 1PH, 60HZ, 48YZ, 3421L, TEFC, F1

Class - None

Division - Not Applicable

Specifications

Enclosure	TEFC
Frame	48YZ
Frame Material	Steel
Frequency	60.00 Hz
Haz Area Class and Group	None
Haz Area Division	Not Applicable
Motor Letter Type	Cap Start, Induction Run
Output @ Frequency	.500 HP @ 60 HZ
Phase	1
Synchronous Speed @ Frequency	1800 RPM @ 60 HZ
Voltage @ Frequency	115.0 V @ 60 HZ 230.0 V @ 60 HZ
Agency Approvals	CSA UR
Ambient Temperature	40 °C
Auxillary Box	No Auxillary Box
Auxillary Box Lead Termination	None
Base Indicator	No Mounting
Bearing Grease Type	Polyrex EM (-20F +300F)
Blower	None
Current @ Voltage	7.400 A @ 115.0 V 4.300 A @ 208.0 V 3.700 A @ 230.0 V
Design Code	N
Drip Cover	No Drip Cover
Duty Rating	CONT
Efficiency @ 100% Load	68.0 %
Electrically Isolated Bearing	Not Electrically Isolated
Feedback Device	NO FEEDBACK
Front Face Code	Standard
Front Shaft Indicator	Multiple Flats
Heater Indicator	No Heater

Part detail

Revision	AH
Type	AC
Mech. spec.	34H317
Base	
Status	PRD/A
Elec. spec.	34WGW204
Layout	34LYH317
Eff. date	09-18-2023
CD Diagram	CD0008
Poles	04
Leads	6#18,1#16 #4TH
Proprietary	False
Created date	01-01-0001

High Voltage Full Load Amps	3.7 a
Insulation Class	B
Inverter Code	Not Inverter
KVA Code	J
Lifting Lugs	No Lifting Lugs
Locked Bearing Indicator	No Locked Bearing
Motor Lead Exit	Ko Box
Motor Lead Quantity/Wire Size	6 @ 18 AWG
Motor Lead Termination	Flying Leads
Motor Standards	NEMA
Motor Type	3421L
Mounting Arrangement	F1
Number of Poles	4
Overall Length	12.44 IN
Power Factor	66
Product Family	General Purpose
Pulley End Bearing Type	Ball
Pulley Face Code	Oil Burner Flange
Pulley Shaft Indicator	Standard
Rodent Screen	None
Service Factor	1.25
Shaft Diameter	0.500 IN
Shaft Extension Location	Double Shaft
Shaft Ground Indicator	No Shaft Grounding
Shaft Rotation	Reversible
Shaft Slinger Indicator	No Slinger
Speed	1725 rpm
Speed Code	Single Speed
Starting Method	Direct on line
Thermal Device - Bearing	None
Thermal Device - Winding	None
Vibration Sensor Indicator	No Vibration Sensor
Winding Thermal 1	Manual Thermal Overload
Winding Thermal 1 Location	KO

Nameplate

NP1257L									
CAT.NO.	ANFL3504M								
SPEC.	34H317W204								
HP	.5								
VOLTS	115/230								
AMP	7.4/3.7								
RPM	1725								
FRAME	48YZ		HZ	60		PH	1		
SER.F.	1.25	CODE	J	DES	N	CL	B		
NEMA-NOM-EFF	68	PF	66						
RATING	40C AMB-CONT								
CC									
DE	6203	ODE	6203						
ENCL	TEFC	SN							
	SFA 8.2/4.1								

Parts list

Part number	Description	Quantity
SA010305	SA 34H317W204	1.000 ea
RA006697	RA 34H317W204	1.000 ea
TPMRJ38RBSP	THERMAL 1PH 0.75 MAN 120C	1.000 ea
EC1270A02SP	ELEC CAP, 270-324 MFD, 125V, 1.48D X 3.	1.000 ea
NS2512A01	INSULATOR, CONDUIT BOX X	1.000 ea
34GS1013SP	GASKET, CONDUIT BOX LEXIDE	1.000 ea
51XB1016A07	10-16 X 7/16 HXWSSLD SERTYB	2.000 ea
11XW1032G06	10-32 X .38, TAPTITE II, HEX WSHR SLTD U	1.000 ea
HW3001B02	BRASS CUP WASHER W/GROUND SYMBOL TAB,	1.000 ea
NS2500A02	INSULATOR, MAN THER PROT	1.000 ea
RM1014A01SP	BUTYL RUB. THRM COV. (MENA)	1.000 ea
HA6001A01	THERMAL RETAINER (PLATED)	1.000 ea
51XB1214A10	12-14 X 5/8HX WS SL SR TYBX	2.000 ea
51XW0832A07	8-32 X .44, TAPTITE II, HEX WSHR SLTD SE	2.000 ea
34EP3102A167	FR ENDPLATE, UNMACHINED SWITCH BOSSES	1.000 ea
34CB4800SP	CAPACITOR COVER, STAMPED PRIMED	1.000 ea
34GS3000SP	GASKET, CAPACITOR BOX	1.000 ea
51XB1016A05	10-16X5/16HX WA SL SR TYB (F/S)	2.000 ea
HW5100A03	WAVY WASHER (W1543-017)	1.000 ea
34EP3500A01	ENDPLATE, MACH	1.000 ea
XY1032A02	10-32 HEX NUT DIRECTIONAL SERRATION	4.000 ea
34FN3002A01SP	EXTERNAL FAN, PLASTIC, .637/.639 HUB W/	1.000 ea
34FH4002A03SP	IEC FH NO GREASER W/.88 DIA SHAFT HOLE,	1.000 ea
51XW1032A06	10-32 X .38, TAPTITE II, HEX WSHR SLTD S	3.000 ea
36CB4516	750LIPPED CB LID - GALVANNEAL	1.000 ea
37GS1001	GASKET, CONDUIT BOX LID, .06 THICK LEXID	1.000 ea
51XW0832A07	8-32 X .44, TAPTITE II, HEX WSHR SLTD SE	4.000 ea
34CB3001A39P	CONDUIT BOX, MACH/PAINT	1.000 ea
MG1025C02	WILKOFASG SG, 787.105, TAN	0.014 ga
85XU0407S04	4X1/4 U DRIVE PIN STAINLESS	2.000 ea
SP1006A01	INSULATOR MODEL 35 SWITCH	1.000 ea

HA3100A37	THRUBOLT 10-32 X 8.500	4.000 ea
SP5051B16	MDL 34 TORQ STAT SW,TYPE L , STD F1 & F2	1.000 ea
WD4006A01	WIRE JOINT,T&B RB-4 OR RB-44	1.000 ea
MN416A01	TAG-INSTAL-MAINT no wire (2500bx)4/22	1.000 ea
LB1624	COMBINED WARNING LABEL, ISO/ANSI PICTOGR	1.000 ea
LB1087	LABEL,MANUAL RESET (ROLL LABEL)	1.000 ea
LC0008	CONNECTION LABEL	1.000 ea
NP1257L	ALUM UL CC THERMAL REV MTG	1.000 ea
35PA1066	PKG GRP, PRINT PK1008A06	1.000 ea
PK3083	STYROFOAM PACKING CRADLE	1.000 ea
PK3088	MICROFOAM, 8"X"8 PERF. SHEETS	1.000 ea

AC Induction Motor Performance Data

Record # 6920

Typical performance - not guaranteed values

Winding: 34WGW204		Type: 3421L		Enclosure: TEFC	
Nameplate Data			230 V, 60 Hz: High Voltage Connection		
Rated Output (HP)	.5		Full Load Torque	1.5 LB-FT	
Volts	115/208-230		Start Configuration	direct on line	
Full Load Amps	7.4/3.9-3.7		Breakdown Torque	4.13 LB-FT	
R.P.M.	1725		Pull-up Torque	3.6 LB-FT	
Hz	60 Phase	1	Locked-rotor Torque	4.65 LB-FT	
NEMA Design Code	N	KVA Code	J	Starting Current	16.5 A
Service Factor (S.F.)	1.25		No-load Current	2.8 A	
NEMA Nom. Eff.	68	Power Factor	66	Line-line Res. @ 25°C	4.44 Ω A Ph 3.19 Ω B Ph
Rating - Duty	40C AMB-CONT		Temp. Rise @ Rated Load	63°C	
S.F. Amps	8.2/4.1-3.9		Temp. Rise @ S.F. Load	77°C	

Load Characteristics 230 V, 60 Hz, 0.5 HP

% of Rated Load	25	50	75	100	125	150	S.F.
Power Factor	32	46	59	66	72	80	72
Efficiency	42	58	65	68	69	68	69
Speed	1783	1765	1750	1730	1710	1680	1710
Line amperes	2.8	3	3.3	3.7	4.1	4.8	4.1

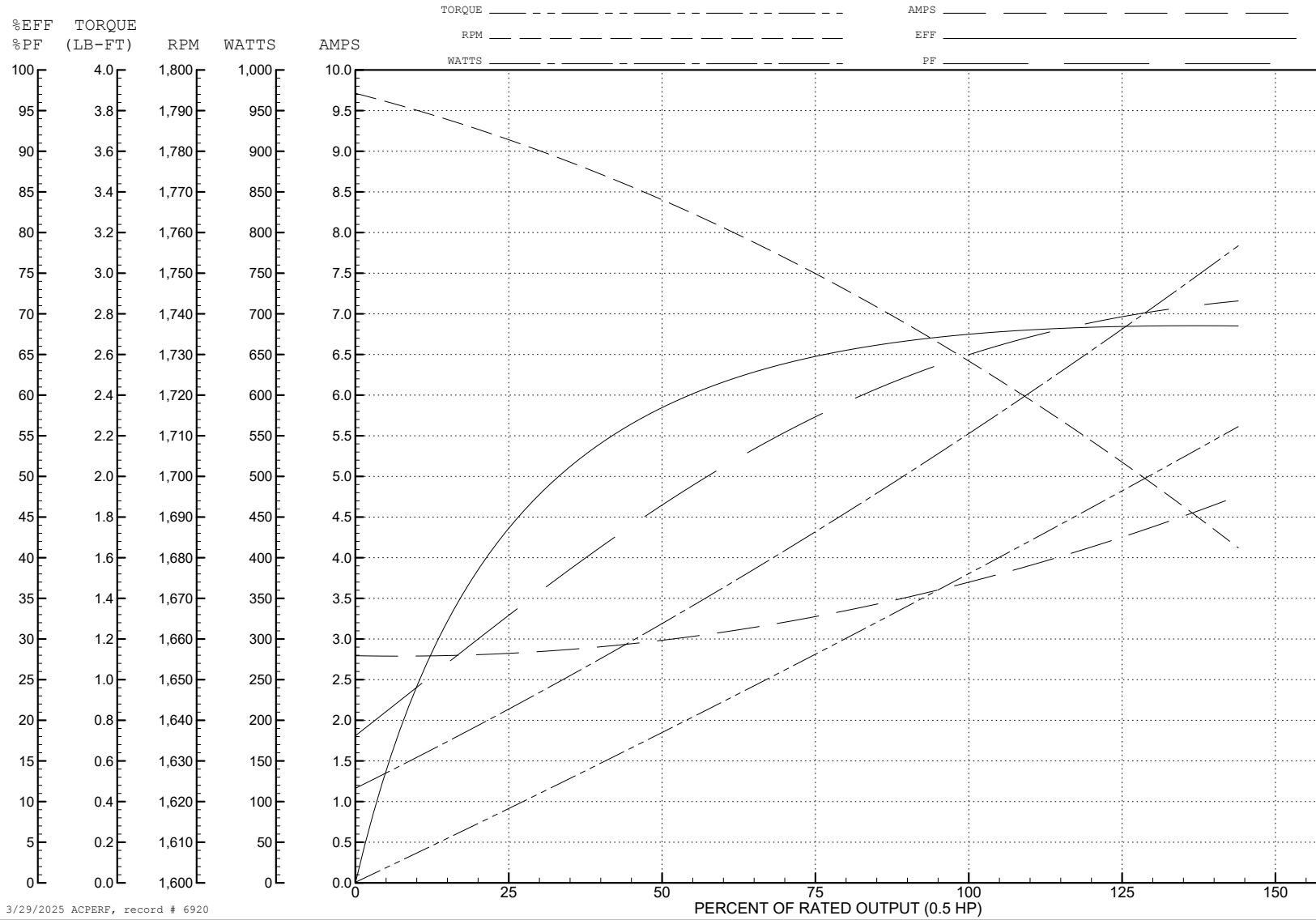
ABB Motors and Mechanical Inc.

WINDING # 34WGW204

0.5 HP 1 PH 60 HZ 1725 RPM 230 V 3421L

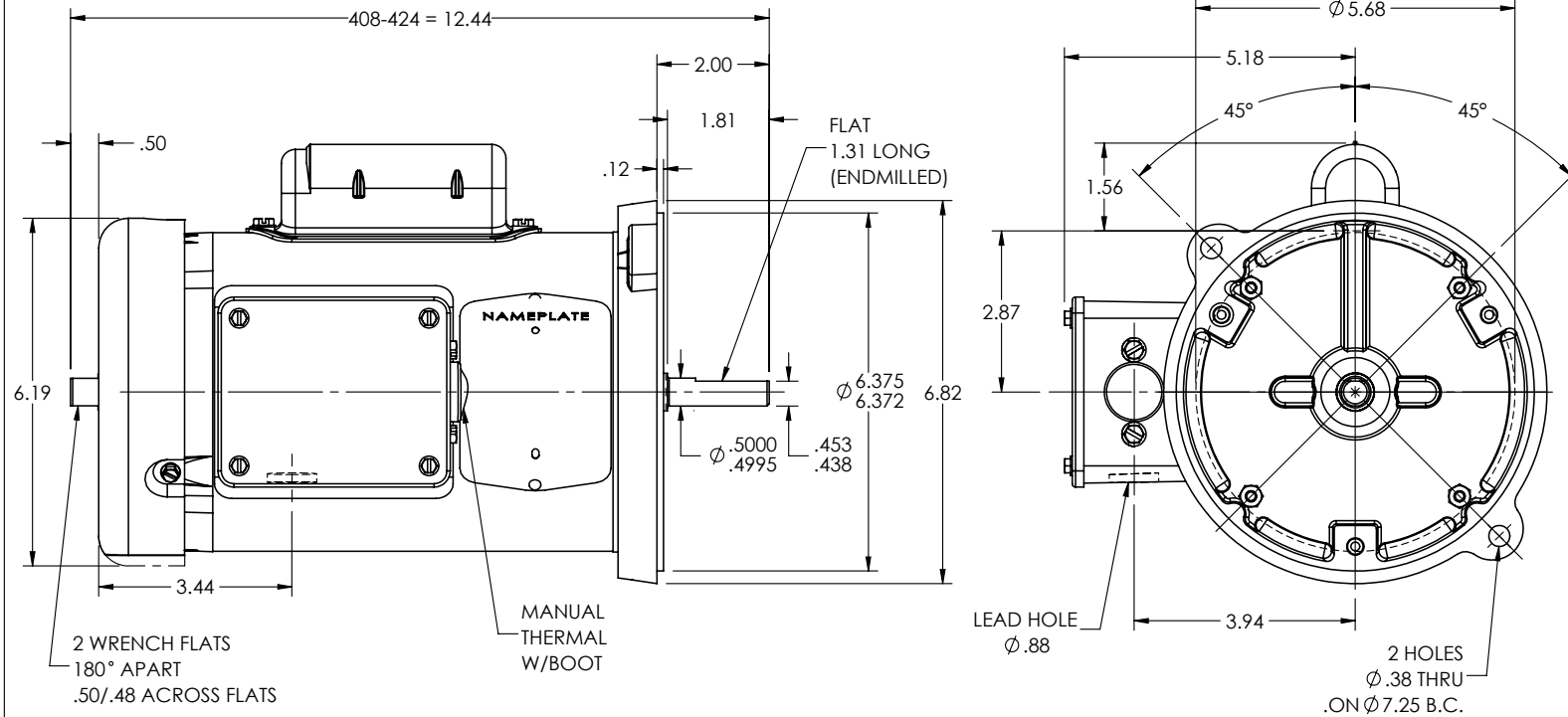
Typical performance - not guaranteed values.

TORQUES (LB-FT): PO=4.13 PU=3.6 LR=4.65 LRA=16.5



3/29/2025 ACPERF, record # 6920

34LYH317



CUSTOMER IS RESPONSIBLE FOR DETERMINING THAT THE PRODUCT WILL PERFORM SUITABLY IN THE INTENDED APPLICATION

REV. DESC: LOAD TO SOLIDWORKS - REV C

REV: D	VERSION: 02	REVISED: 01:20:39 04/04/2023	TDR: 000001201165
--------	-------------	------------------------------	-------------------

34LYH317

MODEL NO. 34LYH317
BY: ENFRAJ0

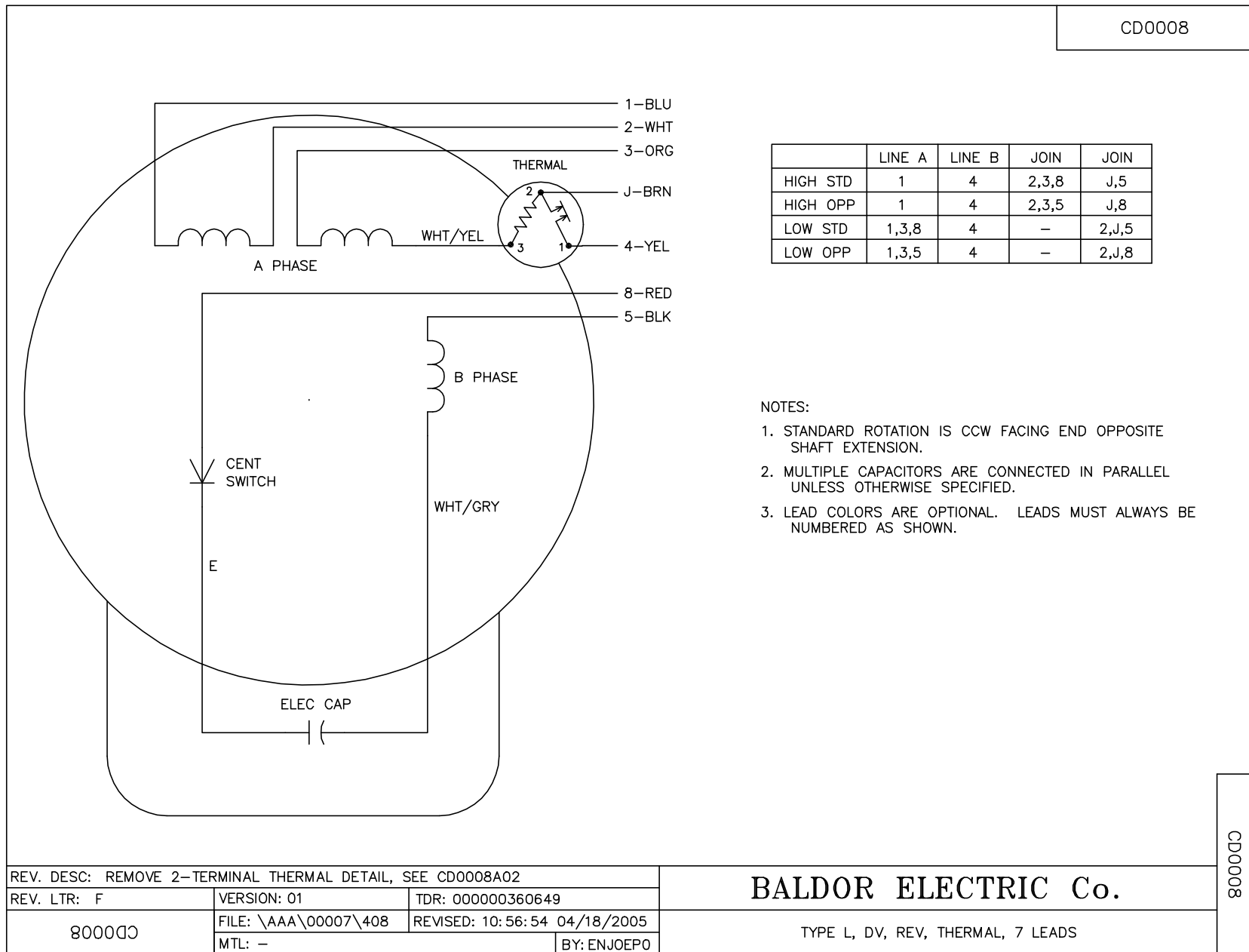
REF: -

BALDOR - RELIANCE®

VERT 34L 48YZ TEFC DBL SHAFT W/MTO IN KOBX & OVERSPEED GUARD

34LYH317

CD0008



	LINE A	LINE B	JOIN	JOIN
HIGH STD	1	4	2,3,8	J,5
HIGH OPP	1	4	2,3,5	J,8
LOW STD	1,3,8	4	-	2,J,5
LOW OPP	1,3,5	4	-	2,J,8

NOTES:

1. STANDARD ROTATION IS CCW FACING END OPPOSITE SHAFT EXTENSION.
2. MULTIPLE CAPACITORS ARE CONNECTED IN PARALLEL UNLESS OTHERWISE SPECIFIED.
3. LEAD COLORS ARE OPTIONAL. LEADS MUST ALWAYS BE NUMBERED AS SHOWN.

REV. DESC: REMOVE 2-TERMINAL THERMAL DETAIL, SEE CD0008A02		
REV. LTR: F	VERSION: 01	TDR: 000000360649
800000	FILE: \AAA\00007\408	REVISED: 10:56:54 04/18/2005
	MTL: -	BY: ENJOEPO

BALDOR ELECTRIC Co.

TYPE L, DV, REV, THERMAL, 7 LEADS

CD0008