



Customer information packet

AOM3538

.5HP, 1725RPM, 3PH, 60HZ, 56, 3413M, TEAO, F1

Class - None

Division - Not Applicable

Specifications

Enclosure	TEAO
Frame	56
Frame Material	Steel
Frequency	60.00 Hz
Haz Area Class and Group	None
Haz Area Division	Not Applicable
Motor Letter Type	Three Phase
Output @ Frequency	.500 HP @ 60 HZ
Phase	3
Synchronous Speed @ Frequency	1800 RPM @ 60 HZ
Voltage @ Frequency	460.0 V @ 60 HZ 230.0 V @ 60 HZ 208.0 V @ 60 HZ
Agency Approvals	CSA UR
Ambient Temperature	40 °C
Auxillary Box	No Auxillary Box
Auxillary Box Lead Termination	None
Base Indicator	Rigid
Bearing Grease Type	Polyrex EM (-20F +300F)
Blower	None
Current @ Voltage	2.400 A @ 208.0 V 2.200 A @ 230.0 V 1.100 A @ 460.0 V
Design Code	B
Drip Cover	No Drip Cover
Duty Rating	CONT
Efficiency @ 100% Load	70.0 %
Electrically Isolated Bearing	Not Electrically Isolated
Feedback Device	NO FEEDBACK
Front Face Code	Standard
Front Shaft Indicator	None

Part detail

Revision	T
Type	AC
Mech. spec.	34T045
Base	
Status	PRD/A
Elec. spec.	34WGW138
Layout	34LYT045
Eff. date	10-28-2024
CD Diagram	CD0005
Poles	04
Leads	9#18 36" LG Y
Proprietary	False
Created date	01-01-0001

Heater Indicator	No Heater
High Voltage Full Load Amps	1.1 a
Insulation Class	F
Inverter Code	Not Inverter
KVA Code	L
Lifting Lugs	No Lifting Lugs
Locked Bearing Indicator	No Locked Bearing
Motor Lead Exit	Ko Box
Motor Lead Quantity/Wire Size	9 @ 18 AWG
Motor Lead Termination	Flying Leads
Motor Standards	NEMA
Motor Type	3413M
Mounting Arrangement	F1
Number of Poles	4
Overall Length	10.25 IN
Power Factor	60
Product Family	General Purpose
Pulley End Bearing Type	Ball
Pulley Face Code	Standard
Pulley Shaft Indicator	Standard
Rodent Screen	None
Service Factor	1.00
Shaft Diameter	0.625 IN
Shaft Extension Location	Pulley End
Shaft Ground Indicator	No Shaft Grounding
Shaft Rotation	Reversible
Shaft Slinger Indicator	No Slinger
Speed	1725 rpm
Speed Code	Single Speed
Starting Method	Direct on line
Thermal Device - Bearing	None
Thermal Device - Winding	None
Vibration Sensor Indicator	No Vibration Sensor

Nameplate

NP1256L									
CAT.NO.	AOM3538								
SPEC.	34T45W138								
HP	.5 AIR OVER								
VOLTS	208-230/460								
AMP	2.4-2.2/1.1								
RPM	1725								
FRAME	56		HZ	60		PH	3		
SER.F.	1.00	CODE	L	DES	B	CLASS	F		
NEMA-NOM-EFF	70	PF	60						
RATING	40C AMB-CONT								
CC									
DE	6203		ODE	6203					
ENCL	TEAO	SN							
	1000 FPM AT 44 CFM								

Parts list

Part number	Description	Quantity
SA007562	SA 34T45W138	1.000 ea
RA004100	RA 34T45W138	1.000 ea
NS2512A01	INSULATOR, CONDUIT BOX X	1.000 ea
34CB3002A	CB CAST W/.88 DIA HOLE	1.000 ea
34GS1029A01	GASKET, CONDUIT BOX	1.000 ea
51XB1016A07	10-16 X 7/16 HXWSSLD SERTYB	2.000 ea
11XW1032G06	10-32 X .38, TAPTITE II, HEX WSHR SLTD U	1.000 ea
34EP3100A03SP	FR ENDPLATE, MACH	1.000 ea
HW5100A03	WAVY WASHER (W1543-017)	1.000 ea
34EP3102A02SP	FR/PU ENDPLATE, MACH	1.000 ea
XY1032A02	10-32 HEX NUT DIRECTIONAL SERRATION	4.000 ea
34CB4517	CB LID 4 MTG HOLES .22 DIA STAMPED, FOR	1.000 ea
34GS1031A01	GASKET, FLAT CONDUIT BOX LID (LEXIDE)	1.000 ea
51XW0832A07	8-32 X .44, TAPTITE II, HEX WSHR SLTD SE	4.000 ea
HW2501D13	KEY, 3/16 SQ X 1.375	1.000 ea
HA7000A04	KEY RETAINER 0.625 DIA SHAFTS	1.000 ea
MG1050G01	CELEROL MEDIUM CHARCOAL METALLIC GRAY	0.014 ga
85XU0407S04	4X1/4 U DRIVE PIN STAINLESS	2.000 ea
HA3100A12	THRUBOLT 10-32 X 7.375	4.000 ea
LC0005E01	CONN.DIA./WARNING LABEL (LC0005/LB1119N)	1.000 ea
NP1256L	ALUM UL CC INDUSTRIAL MOTOR A60	1.000 ea
34PA1002	PKG GRP, PRINT PK1001A01	1.000 ea
MN416A01	TAG-INSTAL-MAINT no wire (2500bx)4/22	1.000 ea

Accessories

Part number	Description	Multiplier
34-171	C FACE KIT	A8

AC Induction Motor Performance Data

Record # 6894

Typical performance - not guaranteed values

Winding: 34WGW138-R001		Type: 3413M		Enclosure: TEAO		
Nameplate Data			460 V, 60 Hz: High Voltage Connection			
Rated Output (HP)	.5 AIR OVER		Full Load Torque	1.5 LB-FT		
Volts	208-230/460		Start Configuration	direct on line		
Full Load Amps	2.4-2.2/1.1		Breakdown Torque	5.7 LB-FT		
R.P.M.	1725		Pull-up Torque	4.2 LB-FT		
Hz	60	Phase	3	Locked-rotor Torque	5.3 LB-FT	
NEMA Design Code	B		KVA Code	L	Starting Current	6.2 A
Service Factor (S.F.)	1		No-load Current	1.02 A		
NEMA Nom. Eff.	70	Power Factor	60	Line-line Res. @ 25°C	35.4 Ω	
Rating - Duty	40C AMB-CONT		Temp. Rise @ Rated Load	70°C		
			Locked-rotor Power Factor	67		
			Rotor inertia	0.031 LB-FT ²		

Load Characteristics 460 V, 60 Hz, 0.5 HP

% of Rated Load	25	50	75	100	125	150
Power Factor	27	38	48	57	65	71
Efficiency	42	58	65	69	70	71
Speed	1779	1762	1743	1723	1701	1677
Line amperes	1.03	1.06	1.11	1.18	1.27	1.39

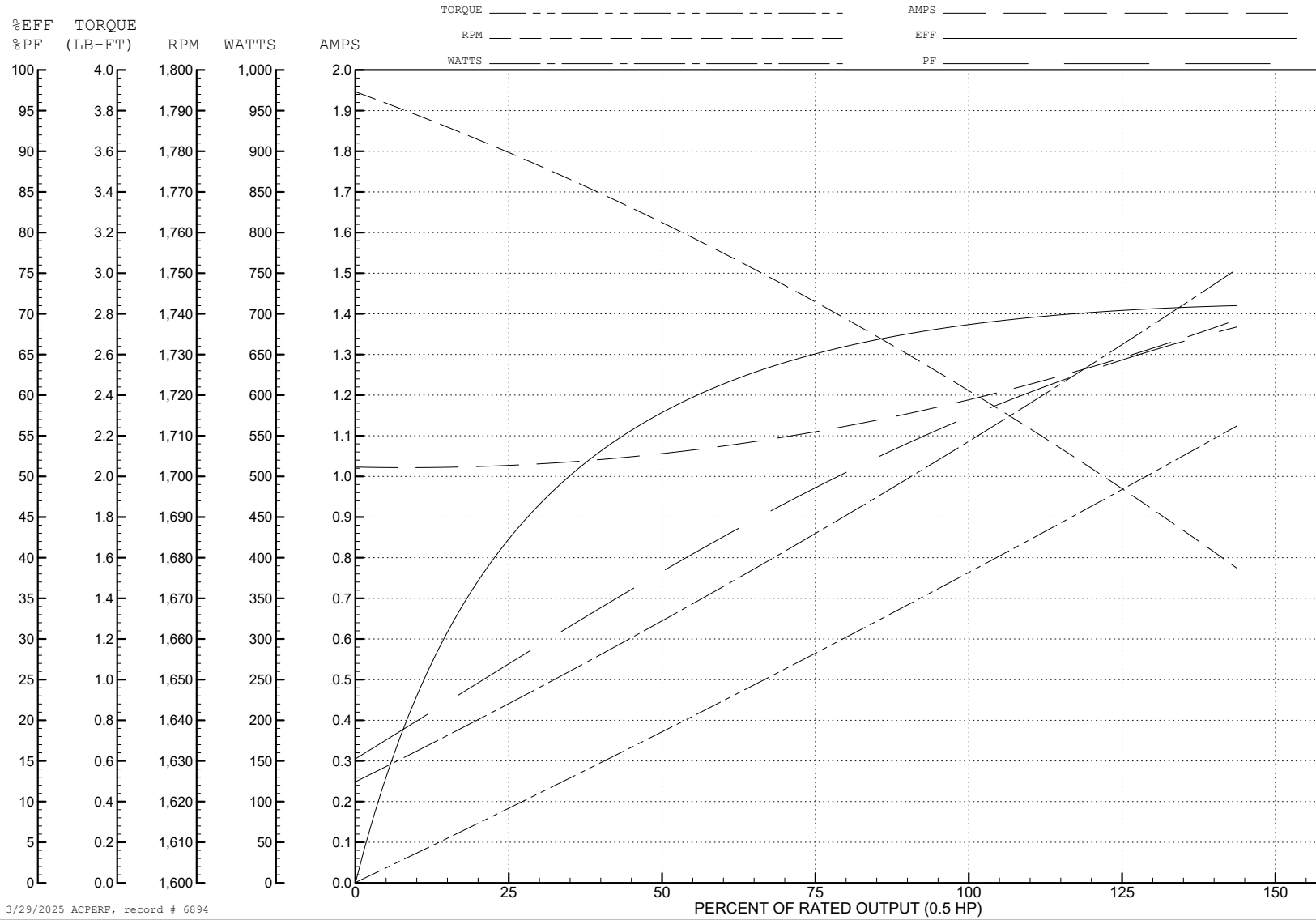
ABB Motors and Mechanical Inc.

WINDING # 34WGW138

0.5 HP 3 PH 60 HZ 1725 RPM 460 V 3413M

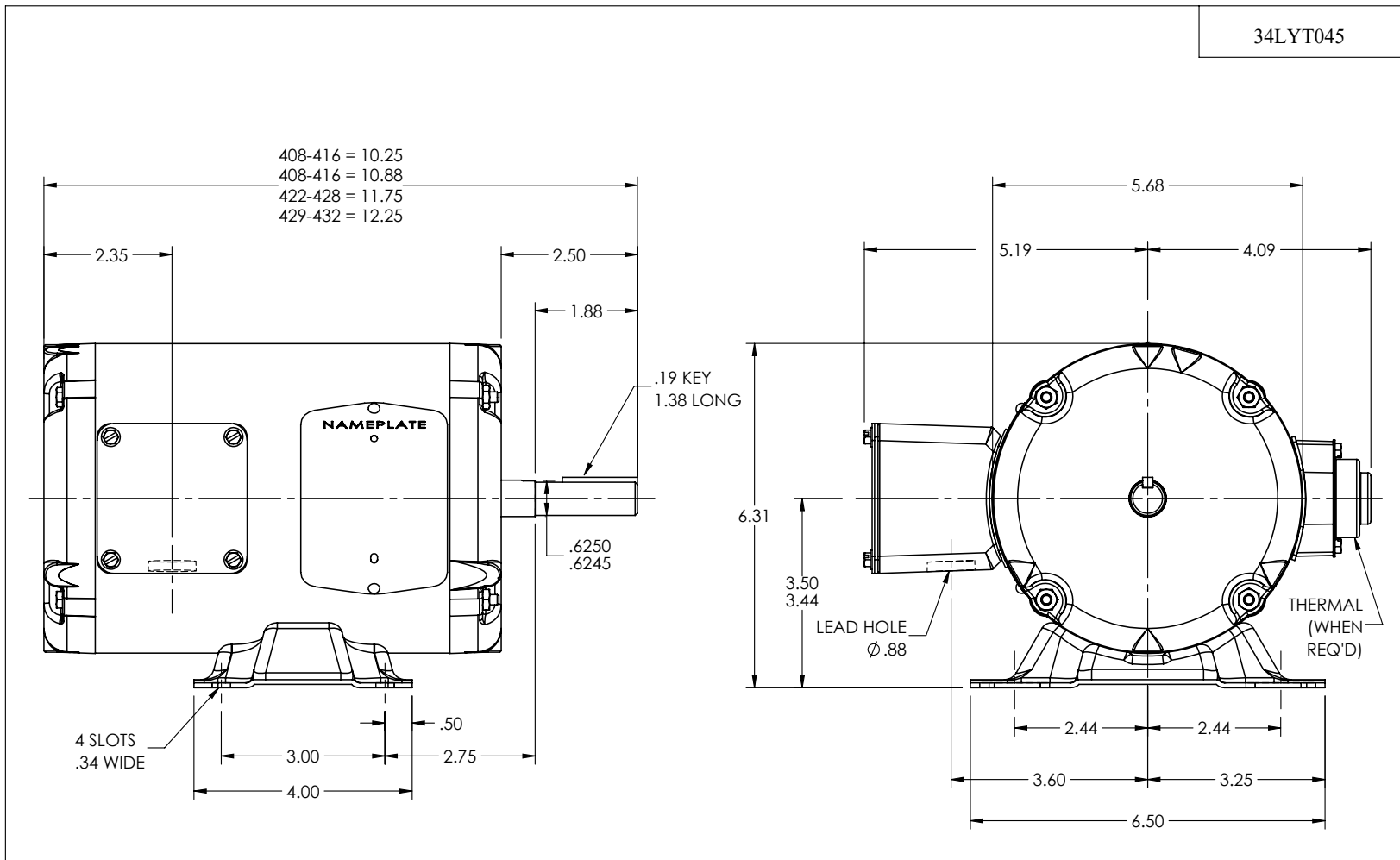
Typical performance - not guaranteed values.

TORQUES (LB-FT): PO=5.7 PU=4.2 LR=5.3 LRA=6.2



3/29/2025 ACPERF, record # 6894

34LYT045



CUSTOMER IS RESPONSIBLE FOR DETERMINING THAT THE PRODUCT WILL PERFORM SUITABLY IN THE INTENDED APPLICATION

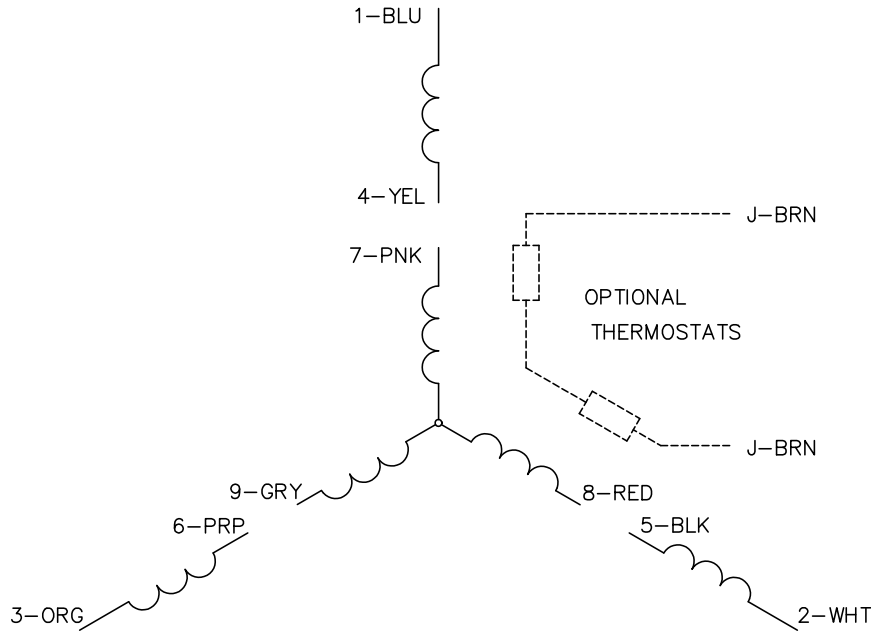
REV. DESC: LOAD TO SOLIDWORKS - REV D			
REV: E	VERSION: 02	REVISED: 03:33:19 01/03/2023	TDR: 000001201165
34LYT045	MODEL NO. 34LYT045	REF: -	
	BY: ENFRAJ0		

BALDOR - RELIANCE®

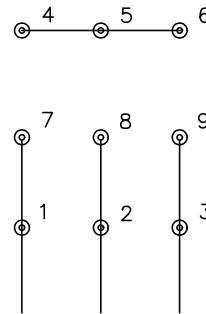
STD HORZ MODEL 34M NEMA 56 TEAO

34LYT045

CD0005

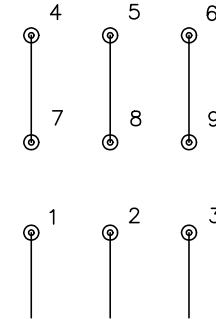


LOW VOLTAGE
(2Y)



LINE

HIGH VOLTAGE
(1Y)



LINE

NOTES:

1. INTERCHANGE ANY TWO LINE LEADS TO REVERSE ROTATION.
2. OPTIONAL THERMOSTATS ARE PROVIDED WHEN SPECIFIED.
3. ACTUAL NUMBER OF INTERNAL PARALLEL CIRCUITS MAY BE A MULTIPLE OF THOSE SHOWN ABOVE.
4. LEAD COLORS ARE OPTIONAL. LEADS MUST ALWAYS BE NUMBERED AS SHOWN.

CD0005

REV. DESC: REVISE TO SHOW OPTIONAL COLORS			
REV. LTR: E	BY: JLP	REVISED: 01/19/99 10:15	TDR: 0171435
S00000		FILE: AAA00005140	MDL: -
		MTL: -	

BALDOR ELECTRIC Co.

3PH, DV, 9 LEADS