

BALDOR • RELIANCE

Customer information packet

BSM90N-3250AA

BSM90N-3250AA (NEO) T'STAT, RESOLVER

Specifications

Enclosure	TENV
Nameplate Speed	1200
Agency Approvals	CE CSA TUV UR
Base Indicator	Bracket Mounted
Dimensional Drawing Numbers	S3LYP100
Frame	D130D
Frame Material	Exposed Laminations
Motor Lead Quantity/Wire Size	3 @ 16 AWG
Motor Standards	IEC
Mounting Arrangement	F1
Nameplate Output	1.48KW
Shaft Rotation	Reversible

Part detail

Revision	AC
Type	AC
Mech. spec.	S3P100
Base	
Status	PRD/A
Elec. spec.	S3WGW054
Layout	S3LYP100
Eff. date	06-03-2024
CD Diagram	CD0006A02
Poles	08
Leads	3#16
Proprietary	False
Created date	01-01-0001

Nameplate

NP2863L				
CAT.NO.	BSM90N-3250AA			
SPEC.	S3P100W054G1			
MFG.NO.				
TORQ CONT STALL	13.3 NM			
CUR CONT STALL/A RMS	5.59			
POWER	1.48KW			
RATED SPEED/RPM(1/MIN)	1200			
RATED BUS VOLTS	320			
PEAK CUR/A RMS	22.4			
MAX SPEED/RPM(1/MIN)	4000			
IP	54	IC	410	WT. 19
CLASS	F	25C RATED		

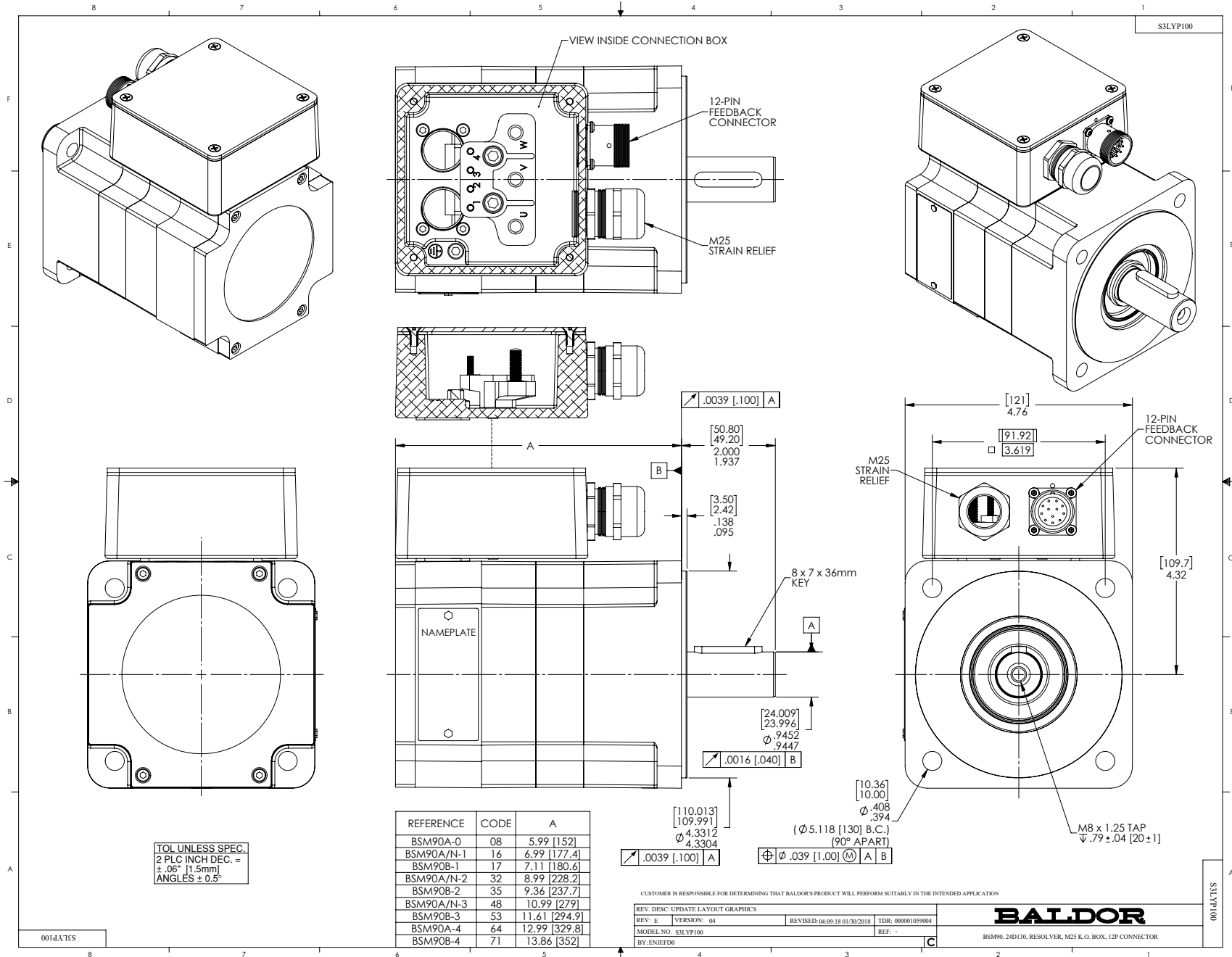
Parts list

Part number	Description	Quantity
SA050642	SA S3P100W054G1	1.000 ea
RA045564	RA S3P100W054G1	1.000 ea
WD1000D140	TRM,T&B #B71,RING,18-14,.25,NON-INSL	3.000 ea
RM1020A03	O-RING, -045 BUNA-N, .070 CS X 3.989 ID	1.000 ea
HW5002A94	RET RING 52MM INTERNAL BEVELED F/205 BRG	1.000 ea
HW2511A101	KEY, 8MM X 7MM X 36MM W/ROUNDED ENDS	1.000 ea
HW5100A43	WASHER WAVE (W1543-020) ZINC PLATED 40MM	2.000 ea
HA2113A03	TOLERANCE RING 8MM X 7MM TYPE BN8X7C	1.000 ea
S3EP3504C23	ENDPLATE, FR-BSM90, RESOLVER, KO BOX MTG	1.000 ea
84YN0040J020	M4 X 20MM SHC SCREW	4.000 ea
HW1021A04	WASHER, M4 SPLIT LOCK	4.000 ea
RM1020A03	O-RING, -045 BUNA-N, .070 CS X 3.989 ID	1.000 ea
HA7013	CLAMP, RESOLVER, PLASTIC "C-SHAPE"	1.000 ea
62YW0025A007	EPOXY LOCK SCREW,M2.5X7 TORX PAN HD TAPT	3.000 ea
MH4006A21	HEAT SHRINK TUBING 0.12 ID BLACK	0.708 ft
84YN0040J020	M4 X 20MM SHC SCREW	4.000 ea
WD1000D84	TERMINAL, NON-INS RING, 22-18 GA, BULK P	2.000 ea
99XM0356A02	STICK SCREW, #3-56 X .125 LG. HEX (MARK	2.000 ea
MJ5004A02	P-2 FRANKLIN RESIN KIT	0.001 ga
MJ5004A03	S-C FRANKLIN ACTIVATOR	0.001 qt
ME3001A02	449S2 FIBERGLASS 20 END ROVING AA-750	0.015 lb
MG2000A17	RUST INHIBITOR PART # SRPO #20	0.001 ga
BG6205E03	6205 D.SL,C3,POLYREX EM	1.000 ea
RF0001	RESOLVER, BRUSHLESS, 1 SPEED, 1.4165 DIA	1.000 ea
S3CB3002E01	BSM90 BLDC FEEDBACK COVER LIGHT GREY	1.000 ea
S4CB5001A40	TERM BOX ASSY BSM90-100 M25 TAP, 12P M23	1.000 ea
MG1025L02-1	WILKOFAS, 776.06 TEXTURE (BSM) BLACK	0.003 ga
MG1025Z09	CATALYST #060.06 WILCO	0.003 qt
MG1500Y08	PRIMER-WILKOPON (603.08A)YELLOW PRIMER W	0.003 qt
MG1025Z08	WILKO 603.08B PRIMER REDUCER TDR# 72361	0.003 qt
NP2863L	NAMEPLATE BSM90/100 ALUM, LASER ETCHED	1.000 ea

PK3083	STYROFOAM PACKING CRADLE	2.000 ea
PK3088	MICROFOAM, 8"X"8 PERF. SHEETS	2.000 ea
27PA1001	PKG GRP, PRINT PK1027A06	1.000 ea
LB1534	MYLAR CE WARNING LABEL FOR SERVO MOTORS	1.000 ea

Accessories

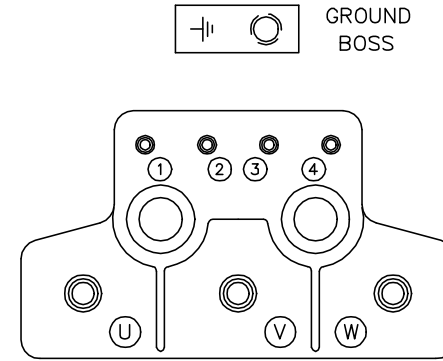
Part number	Description	Multiplier
GBSM90-MRP120-4	Std. Servo Gearbox Ratio 4:1	E4
GBSM90-MRP120-5	Std. Servo Gearbox Ratio 5:1	E4
GBSM90-MRP120-7	Std. Servo Gearbox Ratio 7:1	E4
GBSM90-MRP155-10	Std. Servo Gearbox Ratio 10:1	E4
GBSM90-MRP155-25	Std. Servo Gearbox Ratio 25:1	E4



CD1404

MOTOR CONNECTIONS

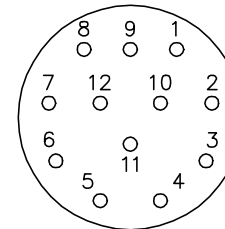
TERMINAL LABEL	FUNCTION	INTERNAL WIRE MARKING
1	THERMAL SWITCH	YELLOW
2	THERMAL SWITCH	YELLOW
3	BRAKE (OPTIONAL)	BLACK
4	BRAKE (OPTIONAL)	BLACK
⊥	GROUND	-----
U	PHASE U	T1
V	PHASE V	T2
W	PHASE W	T3



RESOLVER CONNECTIONS

PIN	FUNCTION	INTERNAL WIRE COLOR
1	REF HI R1	RED/WHITE
2	REF LO R2	YELLOW/WHITE (or) BLACK/WHITE
3	COS+ S1	RED
4	COS- S3	BLACK
5	SINE+ S2	BLUE
6	SINE- S4	YELLOW

12 PIN THREADED CONNECTOR (INSERTION SIDE)



NOTE:

IF NO FEEDBACK, OMIT RESOLVER CONNECTIONS.

REV. DESC: ADDED OPTIONAL BLACK/WHITE COLOR TO REF-LO-R2		
REV. LTR: B	VERSION: 01	TDR: 000001151947
FILE: \AAA\00065\150	REVISED: 01:18:21 10/27/2020	BY: ENJFDO
MTL: -	© □	

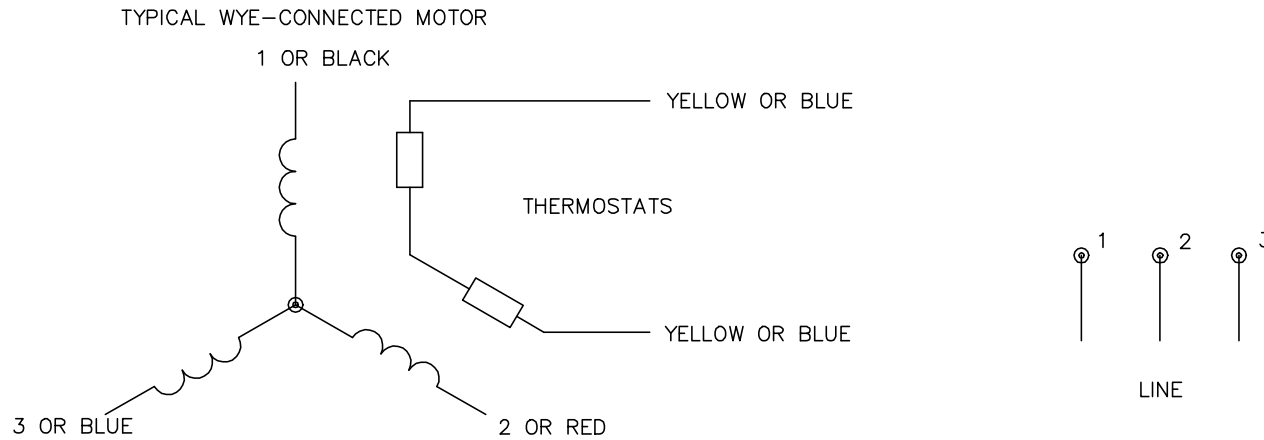
BALDOR - RELIANCE®

CONN. DIAG.-BSM,RESOLVER,BRAKE,TERMINAL BLOCK,12 PIN CONN

SH 1 of 1

CD1404

CD0006A02



NOTES:

1. INTERCHANGE ANY TWO LINE LEADS TO REVERSE ROTATION.
2. ACTUAL NUMBER OF INTERNAL PARALLEL CIRCUITS MAY VARY.

REV. DESC: REMOVED "OPTIONAL" FROM PRINT, SERVO REQ'S T'STATS		
REV. LTR: D	VERSION: 03	TDR: 000000414937
CD0006A02	FILE: \AAA\00068\606	REVISED: 10:02:28 11/21/2006
	MTL: -	BY: ENJFDO

BALDOR ELECTRIC Co.

3PH, SV, 3 LEADS, WYE CONNECTED

CD0006A02