

BALDOR® • RELIANCE™

Customer information packet

CD1805R

5HP, 1750RPM, DC, 1810ATCZ, DPG,

Specifications

Armature Voltage	180 V
Base Speed	1750 rpm
Enclosure	DP
Field Voltage	200 V
Frame	DC1810ATCZ
Output Power	5.000 HP
Agency Approvals	CCSA US
Ambient Temperature	40 °C
Armature Current	24.0 a
Drip Cover	No Drip Cover
Duty Rating	CONT
Feedback Device	NO FEEDBACK
Field Winding Type	STR. SHUNT
Frame Prefix	DC
Heater Indicator	No Heater
Insulation Class	F
Lifting Lugs	Standard Lifting Lugs
Motor Standards	NEMA
Mounting Arrangement	F3
Overall Length	21.94 IN
Service Factor	1.00
Shaft Diameter	1.125 IN
Shaft Ground Indicator	No Shaft Grounding
Shaft Slinger Indicator	No Slinger
Thermal Device - Bearing	None

Part detail

Revision	-
Type	DC
Mech. spec.	
Base	
Status	PRD/A
Elec. spec.	G4611A
Layout	609980-503
Eff. date	12-13-2019
CD Diagram	406770-007
Poles	00
Leads	
Proprietary	False
Created date	12-12-2019

Nameplate

000613006HP					
CAT.NO.	CD1805R	SPEC NO.	T18S1105		
FR	DC1810ATCZ	HP	5	DUTY	CONT
ENCL.	DP	RPM	1750	S.F.	1.0
ENCL MOD	GUARDED	VOLTS	180	INSUL	F
MAX SAFE SPEED	04500	AMPS	24.00	AMB.	40
	FIELD DATA	SER.NO.			
WINDING	STR. SHUNT	POWER CODE	2/2-230-60-0		
VOLTS	200/100	D.E. BRG.	30BC02JPP30A		
MAX AMPS @ 25 C	1.68	O.D.E. BRG.	30BC02JPG30A		
HOT AMPS	1.30	MIN. AMB.	0	TYPE	TR
	BRUSH:419904050A				
	FLD. DATA FOR HIGH VOLTS				

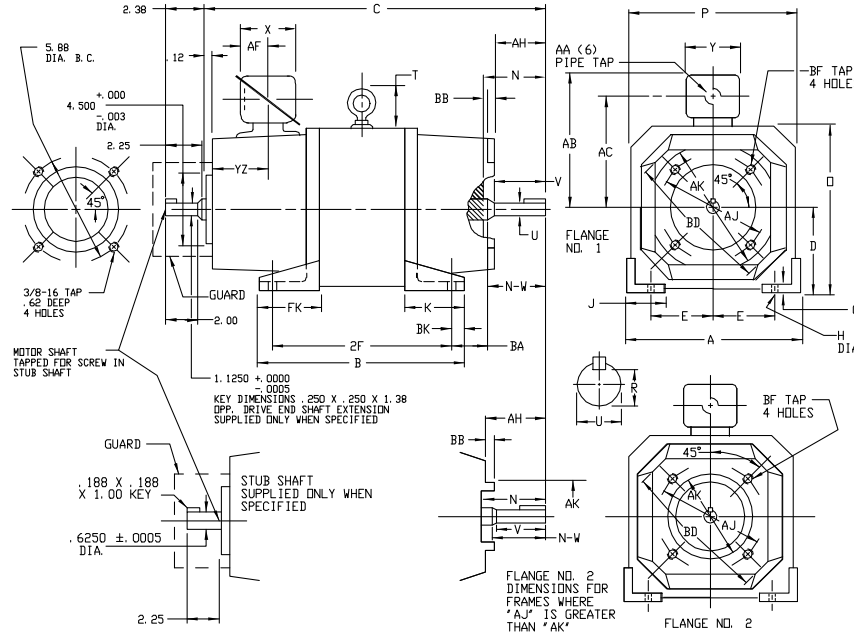
Parts list

Part number	Description	Quantity
SA377002	SA T18S1105	1.000 ea
AA018220	AA T18S1105	1.000 ea
000692000FS	WARNING LABEL	1.000 ea
000692000FP	NP, WARNING LIFT INSTRUCTIONS	1.000 ea
033775004EA	DRSCR #6-1/4 304 S.S.	8.000 ea
000613006HP	NAMEPLATE - RPM III D-C MOTOR W/CSA LOGO	1.000 ea
422908009B	SLVNG EXTRA SLVG LENGT	28.000 ea
609844002A	BALANCE RING	1.000 ea
036000012HB	HHCS M6X12MM LONG PLATED	1.000 ea
036010010GB	M5-.8 X 10 HXWHD SCREW	2.000 ea
610470003R	BRASY METRIC	1.000 ea
419904050A	BRUSH N	2.000 ea
801758061A	BRKT,ODE,DC180	1.000 ea
801758058AA	BRKT,DE,DC180	1.000 ea
004824015A	GREASE POLYREX EM	0.100 lb
036000050HB	MHHCS M6X50MM PLATED	2.000 ea
400638001C	WSHR	1.000 ea
036500009AB	METRIC NUTM8-1.25PLTD-360	4.000 ea
036500009AB	METRIC NUTM8-1.25PLTD-360	4.000 ea
609830005K	TBOLT METRIC RP609830-	4.000 ea
415000103A	T/LUG #14AWG-#4AWG W/HOLE FOR .250 BOLT	1.000 ea
033520003JE	SHWHS	1.000 ea
417733003A	GASKT	1.000 ea
418018074A	GROUND LABEL G100 METRIC 160 D.C.	1.000 ea
036620008AB	M6 METRIC EXT LOCKWASHER	1.000 ea
032018004CK	HHCS 3/8-16X1/2L PLATED	4.000 ea
422919190	HHCVR KIT,DC180,DE, LOUVERED	1.000 ea
422919190	HHCVR KIT,DC180,DE, LOUVERED	1.000 ea
422919190	HHCVR KIT,DC180,DE, LOUVERED	1.000 ea
422919199	CVRKT FE	1.000 ea
422919201	HHCVR KIT,DC180,ODE,LOUVERED	1.000 ea

422919201	HHCVR KIT,DC180,ODE,LOUVERED	1.000 ea
422919201	HHCVR KIT,DC180,ODE,LOUVERED	1.000 ea
706310300A	COND BOX	1.000 ea
06CB3500	BALDOR CONDUIT BOX LID	1.000 ea
06GS1001	BALDOR CONDUIT BOX GASKET	1.000 ea
033518006LB	HWHMS, .75IN 1/4-20	2.000 ea
036000010HB	MHHCS M6-1.0X10L PLATED	4.000 ea
406770007	C/D TAG	1.000 ea
706305020A	GUARD, SHAFT	1.000 ea
034180014DA	KEY 1/4X1/4X1-3/4 L	1.000 ea
000640000P	TAG WINDING THERMOST	1.000 ea
000692000NF	NP 2POLE METRIC LABEL	1.000 ea
004824007K	SPECIAL PAINT	0.100 ea

609980-503

INDUSTRIAL DIRECT CURRENT MOTORS AND GENERATORS - RPM III
 ENCLOSURE: DRIP-PROOF FULLY-GUARDED MOUNTING: FOOT, "C" FACE COOLING: SELF-VENTILATED ACCESSORIES: PROVISIONS FOR TACHOMETER MOUNTING ONLY WHEN SPECIFIED
 SPLASHPROOF, TOTALLY ENCLOSED METHOD OF DRIVE: COUPLED OR BELTED NON-VENTILATED
 DC180ATY-DC180ATCZ



DIMENSIONS ARE IN INCHES

FRAME	FLANGE	A	DC(D)	E	G	H	J	K	FK	BK	D	P	T	BA	BB(7)	BD	BF TAP	BF TAP DEPTH	AJ	AK(4)	A.C. SHAFT EXT. REF.
DC189ATY	ND. 2	9.00	4.50	3.75	.31	.44	1.50	3.56	3.56	.50	8.88	8.75	1.88	2.75	.12	8.75	3/8-16	.62	5.88	4.500	140TC EXT.
DC189ATCZ	ND. 1	9.00	4.50	3.75	.31	.44	1.50	3.56	3.56	.50	8.88	8.75	1.88	2.75	.12	8.75	1/2-13	.88	7.25	8.500	180TC EXT.
DC1810ATY	ND. 2	9.00	4.50	3.75	.31	.44	1.50	3.56	3.56	.50	8.88	8.75	1.88	2.75	.12	8.75	3/8-16	.62	5.88	4.500	140TC EXT.
DC1810ATCZ	ND. 1	9.00	4.50	3.75	.31	.44	1.50	3.56	3.56	.50	8.88	8.75	1.88	2.75	.12	8.75	1/2-13	.88	7.25	8.500	180TC EXT.
DC1811ATY	ND. 2	9.00	4.50	3.75	.31	.44	1.50	3.56	3.56	.50	8.88	8.75	1.88	2.75	.12	8.75	3/8-16	.62	5.88	4.500	140TC EXT.
DC1811ATCZ	ND. 1	9.00	4.50	3.75	.31	.44	1.50	3.56	3.56	.50	8.88	8.75	1.88	2.75	.12	8.75	1/2-13	.88	7.25	8.500	180TC EXT.

FRAME	FLANGE	C(5)	B	2F	N	N-W	UK(2)	V	AH	R(3)	SD	LGTH	AA	AB	AC	AF	X	Y	YZ	WT. LBS.
DC189ATY	ND. 2	18.81	11.62	10.00	2.44	2.25	.8750	2.00	2.12	.771	188	1.38	1.00	7.30	6.11	2.19	4.38	3.75	3.25	130
DC189ATCZ	ND. 1	19.44	11.62	10.00	3.06	2.88	1.250	2.62	2.62	.986	250	1.81	1.00	7.30	6.11	2.19	4.38	3.75	3.25	155
DC1810ATY	ND. 2	19.56	12.38	11.00	2.44	2.25	.8750	2.00	2.12	.771	188	1.38	1.00	7.30	6.11	2.19	4.38	3.75	3.25	130
DC1810ATCZ	ND. 1	20.19	12.38	11.00	3.06	2.88	1.250	2.62	2.62	.986	250	1.81	1.00	7.30	6.11	2.19	4.38	3.75	3.25	155
DC1811ATY	ND. 2	21.06	13.88	12.50	2.44	2.25	.8750	2.00	2.12	.771	188	1.38	1.00	7.30	6.11	2.19	4.38	3.75	3.25	130
DC1811ATCZ	ND. 1	21.69	13.88	12.50	3.06	2.88	1.250	2.62	2.62	.986	250	1.81	1.00	7.30	6.11	2.19	4.38	3.75	3.25	155

- (1) "D" DIMENSION WILL NOT BE EXCEEDED. SHIMS UP TO .06 INCHES IN THICKNESS ARE USUALLY REQUIRED FOR COUPLED OR GEARED MACHINES. TOLERANCE +.00/-.06.
- (2) "U" VARIES +.0000, -.0005.
- (3) "R" VARIES +.000, -.015.
- (4) "AK" VARIES +.000, -.003. FACE RUNDUT AND ECCENTRICITY .004 MAX. T. I. R.
- (5) WHEN THE MOTOR APPLICATION DOES NOT REQUIRE THE USE OF DPP, DRIVE END, ADD .25 TO "C" DIM. FOR BRACKET COVER.
- (6) TERMINAL BOX CAN BE ROTATED TO REPOSITION CONDUIT CONNECTION. IF MOUNTING CLEARANCE DETAILS ARE REQUIRED CONSULT FACTORY.
- (7) "BB" OF .25 IS A MINIMUM VALUE.

CUSTOMER IS RESPONSIBLE FOR DETERMINING THAT BALDOR'S PRODUCT WILL PERFORM SUITABLY IN THE INTENDED APPLICATION.

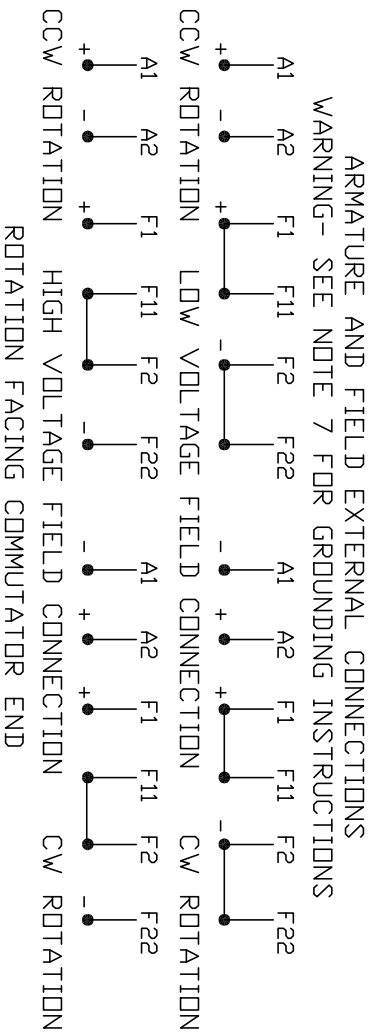
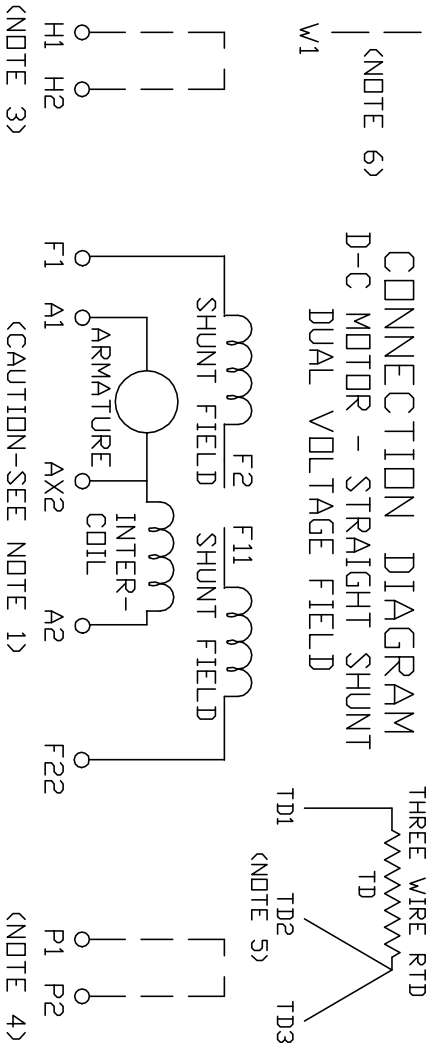
REV. DESC: REVISE "D" DIM TOLERANCE			BALDOR - RELIANCE®		
REV. LTR: D	VERSION: 04	TDR: 000001148815	DIMENSION DRAWING, DC180ATY - DC180ATCZ, DPP, TENV, FOOT MTG.		
FILE: \RGG\00030\373	REVISED: 03:18:10 09/15/2020	BY: RGNAS			
MTL: -					

SH 1 of 1

609980-503

406770-007

CONNECTION DIAGRAM
D-C MOTOR - STRAIGHT SHUNT
DUAL VOLTAGE FIELD
W1



1. CAUTION — ARMATURE MAY HAVE MULTIPLE LEADS. CONNECT ALL LUGS WITH THE SAME MARKING TOGETHER.
2. OPTIONAL CONTROL SIGNAL LEAD IS MARKED AX2. ALWAYS TAKE INTERPOLE DROP BETWEEN A2 AND AX2. NOTE: NEMA DESIGNATION FOR AX2 IS LETTER C.
3. SPACE HEATERS, WHEN PROVIDED, WILL HAVE LEADS MARKED H1 AND H2, H3, H4, ETC.
4. THERMAL PROTECTOR, WHEN PROVIDED, WILL HAVE LEADS MARKED P1 AND P2, P3, P4, ETC.
5. WINDING RTD'S, WHEN PROVIDED, WILL HAVE LEADS MARKED TD1, TD2, & TD3.
6. BRUSH WEAR SENSOR, WHEN PROVIDED, WILL HAVE LEAD MARKED W1.
7. WARNING — MOTOR MUST BE GROUNDED TO PREVENT SERIOUS INJURIES TO PERSONNEL. GROUND THE MOTOR PER IEC, NATIONAL ELECTRICAL CODE AND ANY APPLICABLE LOCAL ELECTRICAL CODES. A TAPPED HOLE IS PROVIDED IN THE CONDUIT BOX, ON THE FOOT. FRAME BRACE OR OPPOSITE OPPOSITE DRIVE END BRACKET, ADJACENT TO THE TERMINAL BOX FOR FOR MOTOR GROUNDING. GROUND LEAD, WHEN PROVIDED, WILL BE GREEN.

CUSTOMER _____ RELIANCE
ORDER NO. _____ S.D. NO. _____

406770-007

REV. DESC: UPDATE LOGO AND TITLEBLOCK: LOADED TO BUS		
REV. LTR: -	VERSION: 00	TDR: 000000784225
FILE: \MGA\00001\391	REVISED: 02:50:46 02/01/2013	BY: MGHPC
MTL: -		

BALDOR

D-C MOTOR CONNECTION DIAGRAM, STR. SHUNT, DUAL VOLTAGE FIELD

SH 1 of 1