

BALDOR • RELIANCE

Customer information packet

CD2015P-2

15HP, 1750/2300RPM, DC, 258ATC, DPGF, F1

Specifications

Armature Voltage	240 V
Base Speed	1750 rpm
Enclosure	DPFG
Field Voltage	120 V
	240 V
Output Power	15.000 HP
Agency Approvals	CSA
Ambient Temperature	40 °C
Armature Current	55.0 a
Drip Cover	No Drip Cover
Duty Rating	CONT
Feedback Device	NO FEEDBACK
Field Winding Type	STR. SHUNT
Heater Indicator	No Heater
Insulation Class	F
Lifting Lugs	Standard Lifting Lugs
Motor Standards	NEMA
Mounting Arrangement	F1
Overall Length	29.84 IN
Service Factor	1.00
Shaft Diameter	1.624 IN
Shaft Ground Indicator	No Shaft Grounding
Shaft Slinger Indicator	No Slinger
Thermal Device - Bearing	None

Part detail

Revision	A
Type	DC
Mech. spec.	
Base	
Status	PRD/A
Elec. spec.	K0035B A
Layout	880-1
Eff. date	02-26-2020
CD Diagram	15209
Poles	00
Leads	
Proprietary	False
Created date	12-12-2019

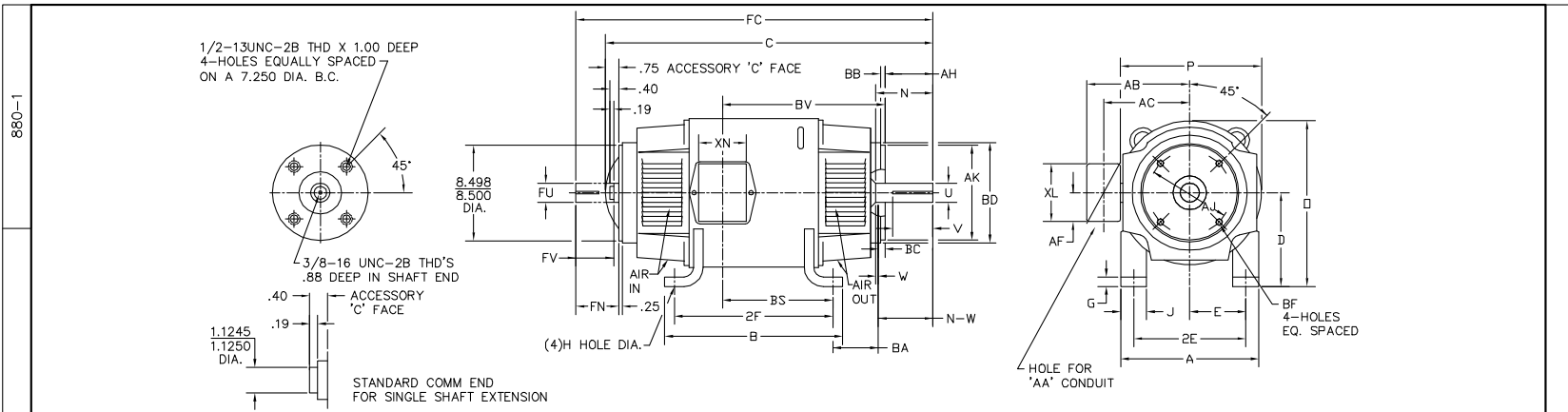
Nameplate

NP1734						
CAT.NO.		MODEL	T25S8006			
HP	15	RPM	1750/2300	FRAME	0258ATC	
ARM V	240	ARM A	55.00	WOUND	STR. SHUNT	
FLD V	120/240	FLD A	2.52-1.62/1.26-.81			
CONN		OHMS		CL	F	
ENCL	DPFG	DUTY	CONT	MX AMB	40	
P CODE	D	CTSR		SER.F.	1.0	
S/N		E/S	K0035B A			
	-					
O.D.E. BRG.	6207	D.E. BRG.	6209	BRUSH	150986-25-1	QTY 4

Parts list

Part number	Description	Quantity
SA376988	SA T25S8006	1.000 ea
AA018214	AA T25S8006	1.000 ea
036170004DA	DRSCW METRIC NAMEPLATE	4.000 ea
NP1734	NPL,BALDOR DC MTR ALUMINUM	1.000 ea
032018004BK	HHCS 5/16-18X1/2 PLATED	2.000 ea
15094	DISHED LOCKWASHER .332 ID, .865 OD	2.000 ea
25686-2	ROCKER RING ASSY FR 250	1.000 ea
150986-25-1	BRUSH,250 FR. SERIES E-41	4.000 ea
25034-6	CE BRKT MACH FR 250 LOCK ODE BRG	1.000 ea
25067-3	FE BRKT MACH FR 250 C-FACE,LOCKED	1.000 ea
004824015A	GREASE POLYREX EM	0.200 lb
032130010CA	3/8-16 X 1.25 HSHCS	4.000 ea
032130010CA	3/8-16 X 1.25 HSHCS	4.000 ea
HW4500A17	317400 ALEMITE GREASE RELIEF	1.000 ea
HW4500A17	317400 ALEMITE GREASE RELIEF	1.000 ea
HW5100A09	W3328-036 WVY WSHR (WB)	1.000 ea
035000001A	ALFTG 1/8" 1610-BL	1.000 ea
035000001A	ALFTG 1/8" 1610-BL	1.000 ea
032130016AA	HSHCS	2.000 ea
150449-25	T BOX GRD STUD ARG 1/4 20 DIA. STUD	1.000 ea
25108-1	GASKET,TERM BOX,1/8"CORK NEOPRENE(DC-205	1.000 ea
25108-1	GASKET,TERM BOX,1/8"CORK NEOPRENE(DC-205	1.000 ea
032018006DK	HHCS 1/2-13X3/4 PLATED	4.000 ea
25106	TERMINAL BOX HOLE COVER, FR 250	1.000 ea
032018004AK	HHCS 1/4-20X1/2 PLATED	4.000 ea
25048-1	CVR GASKET,CE,FR-250 3/32 THK CORK/N	3.000 ea
25048-2	CVR GASKET,FE,FR-250 3/32 THK CORK/NEO	3.000 ea
032018004AK	HHCS 1/4-20X1/2 PLATED	28.000 ea
25062-2	LOUVER COVER,FE,FR-250 18GA C.R. STEEL	3.000 ea
25036-1	ACCESS COVER ODE, FR 250 SERIES	1.000 ea
25062-1	LOUVER COVER,CE,FR-250 18GA C.R. STEEL	2.000 ea

25109	TERMINAL BOX BASE FR 250	1.000 ea
25110	TERMINAL BOX COVER FR 250	1.000 ea
25111	GASKET,COVER,1/8"THK CORK/NEOPRENE (DC-2	1.000 ea
032018004AK	HHCS 1/4-20X1/2 PLATED	2.000 ea
032018004AK	HHCS 1/4-20X1/2 PLATED	4.000 ea
15209	LABEL CONNECTIONS & TERMINAL MARKIN	1.000 ea
15021-1	ACCESSORY FACE COVER FRAME 180-500 SERIE	1.000 ea
034180018FA	KEY 3/8 SQ X 2.25"	1.000 ea
004824007BTW	SPECIAL PAINT4824-3BVZ	0.100 ea



880-1

FRAME	FOOT MOUNTING							D.E. SHAFT EXTENSION												DRIVE KEY		ACC SHAFT EXTENSION			ACC KEY	
	BA	E	ZF	G	H	J	AH	AJ	AK	BB MIN	BC	BD	THREAD	DEEP	N	N-W	U	V	W	KEY-SQ.	KEY-LONG	FN	FU	FV	KEY-SQ.	KEY-LONG
218ATC	3.50	4.25	10.00	.50	.406	2.00	2.50	7.250	8.500 ²	.24	.25	8.75	1/2-13	1.00	3.00	2.75	1.375	2.50 ⁴	.25	.312	1.75	2.44	1.125	2.19	.250	2.25
219ATC	3.50	4.25	11.00	.50	.406	2.00	2.50	7.250	8.500 ²	.24	.25	8.75	1/2-13	1.00	3.00	2.75	1.375	2.50 ⁴	.25	.312	1.75	2.44	1.125	2.19	.250	2.25
2110ATC	3.50	4.25	12.50	.50	.406	2.00	2.50	7.250	8.500 ²	.24	.25	8.75	1/2-13	1.00	3.00	2.75	1.375	2.50 ⁴	.25	.312	1.75	2.44	1.125	2.19	.250	2.25
258ATC	4.25	5.00	12.50	.69	.531	2.25	3.00	7.250	8.500 ²	.27	.25	8.75	1/2-13	.97	3.44	3.25	1.625	3.00 ⁴	.19	.375	2.31	3.33	1.375	3.08	.312	3.00
259ATC	4.25	5.00	14.00	.69	.531	2.25	3.00	7.250	8.500 ²	.27	.25	8.75	1/2-13	.97	3.44	3.25	1.625	3.00 ⁴	.19	.375	2.31	3.33	1.375	3.08	.312	3.00
2510ATC	4.25	5.00	16.00	.69	.531	2.25	3.00	7.250	8.500 ²	.27	.25	8.75	1/2-13	.97	3.44	3.25	1.625	3.00 ⁴	.19	.375	2.31	3.33	1.375	3.08	.312	3.00
2513ATC	4.25	5.00	22.00	.69	.531	2.25	3.00	7.250	8.500 ²	.27	.25	8.75	1/2-13	.97	3.44	3.25	1.625	3.00 ⁴	.19	.375	2.31	3.33	1.375	3.08	.312	3.00

FRAME	FRAME							CONDUIT BOX							ARM APPROX. WK ² LBS.FT. ²	APPROXIMATE WEIGHT	
	A	B	C	FC	D	O	P	AA	AB	AC	AF	BV	XL	XN			
218ATC	10.38	11.00	24.25	25.93	5.25 ³	10.47	10.44	3/4-1	7.91	6.44	2.44	8.38	12.13	3.81	3.12	1.35	245
219ATC	10.38	12.00	25.25	26.93	5.25 ³	10.47	10.44	3/4-1	7.91	6.44	2.44	9.38	13.13	3.81	3.12	1.49	263
2110ATC	10.38	13.50	26.75	28.43	5.25 ³	10.47	10.44	3/4-1	7.91	6.44	2.44	10.88	14.63	3.81	3.12	1.71	291
258ATC	12.38	14.00	27.25	29.84	6.25 ³	12.47	12.44	1 1/4	9.35	7.72	2.94	9.75	14.25	4.94	4.00	2.91	377
259ATC	12.38	15.50	28.75	31.34	6.25 ³	12.47	12.44	1 1/4	9.35	7.72	2.94	11.25	15.75	4.94	4.00	3.31	422
2510ATC	12.38	17.56	30.75	33.34	6.25 ³	12.47	12.44	1 1/4	9.35	7.72	2.94	13.25	17.75	4.94	4.00	3.80	482
2513ATC	12.38	23.50	36.75	39.34	6.25 ³	12.47	12.44	1 1/4	9.35	7.72	2.94	19.25	19.75	4.94	4.00	5.27	531

1) SHAFT DIAMETERS TO 1.500 TOLERANCE +.000 -.0003
SHAFT DIAMETERS ABOVE 1.500 TOLERANCE +.000 -.0010
SHAFT DIAMETERS TO 1.625 RUNOUT .002 T.I.R. MAX.
SHAFT DIAMETERS ABOVE 1.625 RUNOUT .003 T.I.R. MAX.
2) 'AK' DIMENSION UNDER 12.000 - DIAMETER TOLERANCE +.000 -.003
CONCENTRIC WITH SHAFT .004 T.I.R. MAX.
FACE RUNOUT WITH SHAFT .004 T.I.R. MAX.
'AK' DIMENSION 12.0 & OVER - DIAMETER TOLERANCE +.000 -.005
CONCENTRIC WITH SHAFT .007 T.I.R. MAX.
FACE RUNOUT WITH SHAFT .007 T.I.R. MAX.
3) 'O' DIMENSION TOLERANCE +.000 -.060
4) 'V' DIMENSION IS MAX HUB LENGTH ON SHAFT
5) CONDUIT BOX CAN BE ROTATED IN 90° STEPS ON ITS OWN AXIS.
6) ALL DIMENSIONS NOT NOTED ARE NOMINAL DIMENSIONS CONSULT
FACTORY FOR TOLERANCES.

FOR F1 OR F2 CONDUIT BOX LOCATION SEE SALES ORDER

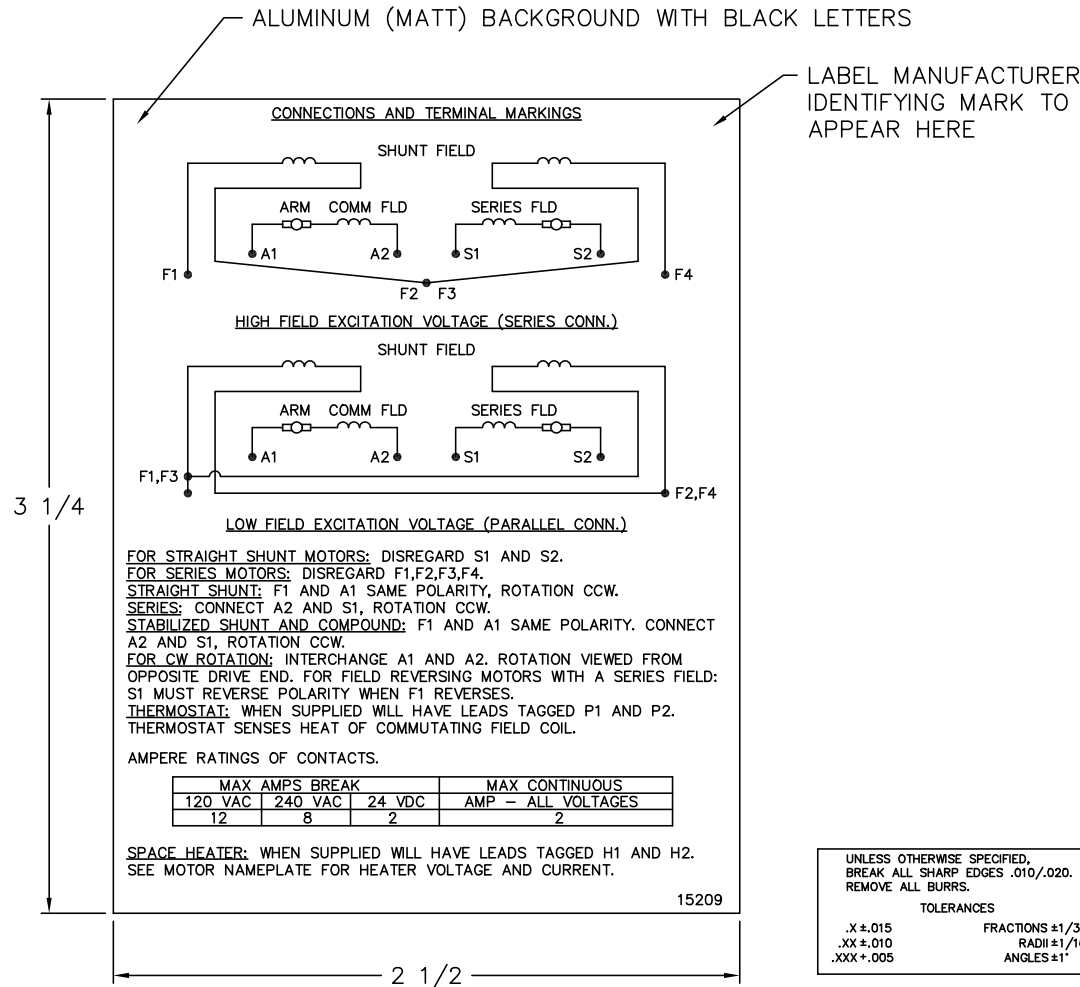
CUSTOMER IS RESPONSIBLE FOR DETERMINING THAT BALDOR'S PRODUCT WILL PERFORM SUITABLY IN THE INTENDED APPLICATION.

REV. DESC: REV. "D" DIM TO +.000 -.060 ONLY		
REV. LTR: B	VERSION: 01	TDR: 000000752566
FILE: \RGG\00019\509	REVISED: 10:47:40 06/20/2012	BY: RGNAS
MTL: -		

BALDOR
DIM SHEET
SH 1 of 1

1-03

15209



NOTE:
 MATERIAL .005 MINIMUM FULL HARD ALUMINUM DULL FINISH.
 TEMP. RANGE -20°C TO +125°C MAXIMUM.
 FOR INDOOR AND OUTDOOR MOUNTING BACK.
 METAL, PRESSURE SENSITIVE BACK. MUST MEET CSA STANDARD.
 THE CSA IDENTIFYING MARK OF THE LABEL MANUFACTURER MUST APPEAR IN THE UPPER RIGHT HAND CORNER AS INDICATED.

MATL: NOTED			
REV:	G	CHANGE ALL "NAMEPLATE" TEXT TO "LABEL"	
60Z91		SCALE: -	BY: BKW
		FILE: CHB00002485	REVISED: 02/19/97
		TDR: 0115147	

BALDOR ELECTRIC Co.

LABEL, CONNECTIONS AND TERMINAL MARKINGS DC

15209