

**BALDOR® • RELIANCE™**

---

# Customer information packet

## CDP3410-V12

.25HP, 1800RPM, DC, 56C, 3416P, TENV, F1

Class - None

Division -

## Specifications

Armature Voltage	12 V
Base Speed	1800 rpm
Enclosure	TENV
Frame	56C
Frame Material	Steel
Haz Area Class and Group	None
Output Power	0.250 HP
Agency Approvals	CSA UR
Ambient Temperature	40 °C
Armature Current	22.5 a
Armature Inertia	5.510 lb-ft <sup>2</sup>
Base Indicator	Rigid
Bearing Grease Type	Polyrex EM (-20F +300F)
Drip Cover	No Drip Cover
Duty Rating	CONT
Feedback Device	NO FEEDBACK
Heater Indicator	No Heater
Lifting Lugs	No Lifting Lugs
Motor Lead Exit	Ko Box
Motor Lead Quantity/Wire Size	2 @ 14 AWG
Motor Lead Termination	Flying Leads
Motor Standards	NEMA
Mounting Arrangement	F1
Overall Length	11.60 IN
Product Family	General Purpose
Pulley End Bearing Type	Sealed Bearing
Service Factor	1.00
Shaft Diameter	0.625 IN
Shaft Extension Location	Pulley End
Shaft Ground Indicator	No Shaft Grounding
Shaft Rotation	Reversible

## Part detail

Revision	K
Type	DC
Mech. spec.	34-6943
Base	
Status	PRD/A
Elec. spec.	34WGZ608
Layout	34LY6943
Eff. date	10-25-2024
CD Diagram	CD0194
Poles	00
Leads	
Proprietary	False
Created date	01-01-0001

**Shaft Slinger Indicator**

**No Slinger**

---

**Nameplate**

<b>NP0111L</b>			
<b>CAT.NO.</b>	CDP3410-V12		
<b>SPEC.</b>	34-6943Z608G1		
<b>HP</b>	.25	<b>ENCL</b>	TENV
<b>RPM</b>	1800		
<b>FRAME</b>	56C	<b>TYPE</b>	3416P
<b>ARM V</b>	12	<b>ARM A</b>	22.5
<b>FLD V</b>		<b>FLD A</b>	
<b>INSUL</b>	F	<b>AMB.</b>	40
<b>DUTY</b>	CONT	<b>SUPPLY</b>	A
<b>BRG/DE</b>	6203	<b>BRG/ODE</b>	6203
<b>BRUSHES</b>	2/BP5104BV01		
	BLANK		
<b>SER.</b>			
<b>BLANK</b>			
<b>APRV-CSA</b>		<b>APRV-UL</b>	

## Parts list

Part number	Description	Quantity
SA113623	SA 34-6943Z608G1	1.000 ea
AA010172	AA 34-6943Z608G1	1.000 ea
BP5104BV01	CARBON BRUSH - 12 DC - MZ65	2.000 ea
BP5100	SPRING PRESSURE BRACKET ASSY	2.000 ea
34RK5006	ROCKERARM ASSEMBLY MODEL 34 PM	1.000 ea
51XF1032A08	10/32X1/2 HXWSHR HD, SL, TYPE F ,SERATED	4.000 ea
11XW1032G06	10-32 X .38, TAPTITE II, HEX WSHR SLTD U	1.000 ea
HW3001B02	BRASS CUP WASHER W/GROUND SYMBOL TAB,	1.000 ea
34EP3114A03	FR EP, MACH MODEL 34 TENV W/EXT T-BOLTS	1.000 ea
WD4102A65	HEYCO #2827 (B 625-500) SHORTY BUSHING	1.000 ea
HW5100A03	WAVY WASHER (W1543-017)	1.000 ea
34CB4519	BRUSH INSPECTION COVER	2.000 ea
34GS1022	BRUSH INSP COVER GASKET,WHITE NON-CONDC	2.000 ea
51XW0832A07	8-32 X .44, TAPTITE II, HEX WSHR SLTD SE	4.000 ea
34EP3300A66	PU ENDPLATE, MACH W/INTERNAL RABBET	1.000 ea
51XN1032A20	10-32 X 1 1/4 HX WS SL SR	2.000 ea
34CB4518	CONDUIT BOX LID, STAMPED F/34P	1.000 ea
34GS1027	GASKET, 34P KOBX LID, CS-301 LEXIDE	1.000 ea
51XW0832A07	8-32 X .44, TAPTITE II, HEX WSHR SLTD SE	2.000 ea
HW2501D13	KEY, 3/16 SQ X 1.375	1.000 ea
HA7000A04	KEY RETAINER 0.625 DIA SHAFTS	1.000 ea
MG1050G01	CELEROL MEDIUM CHARCOAL METALLIC GRAY	0.014 ga
85XU0407S04	4X1/4 U DRIVE PIN STAINLESS	2.000 ea
WD1000A29	3-520140-4 AMP TRM=3.4M/R 16-14AWG	2.000 ea
HA3100A10	THRUBOLT 10-32 X 6.250	4.000 ea
LB1624	COMBINED WARNING LABEL, ISO/ANSI PICTOGR	1.000 ea
LC0194	CONNECTION LABEL	1.000 ea
NP0111L	NP STD LASER ENGRAVED DC MOTORS, UL CSA	1.000 ea
27PA1001	PKG GRP, PRINT PK1027A06	1.000 ea
MN416A01	TAG-INSTAL-MAINT no wire (2500bx)4/22	1.000 ea

**DC Motor Performance Data**

Record # 502

Typical performance - not guaranteed values

<b>Winding: 34WGZ608-R002</b>		<b>Type: 3416P</b>		<b>Enclosure: TENV</b>	
<b>Nameplate Data</b>			<b>General Characteristics</b>		
<b>Rated Output (HP)</b>	0.25	<b>Armature Resistance @ 25°C</b>	0.036 Ω		
<b>R.P.M.</b>	1800	<b>Voltage Constant</b>	6.49 v/krpm		
<b>Armature Volts</b>	12	<b>Armature Inductance</b>	0.245 mH		
<b>Armature Amps</b>	22.5	<b>Armature Inertia</b>	5.5096 LI <sup>2</sup>		
<b>Field Volts</b>					
<b>Field Amps</b>					
<b>Rating - Duty</b>	40C AMB-CONT				
<b>Power Supply Code</b>	A				

**Load Characteristics at 12 Armature Volts**

<b>Load Point</b>	<b>1</b>	<b>2</b>	<b>3</b>	<b>4</b>	<b>5</b>	<b>6</b>	<b>7</b>
<b>Armature Amps</b>	3.72	9.42	14.4	19.56	24.95	30.6	36
<b>R.P.M.</b>	1808	1758	1708	1675	1635	1585	1536
<b>Torque ( LB-FT )</b>	0	0.25	0.5	0.75	1	1.25	1.5

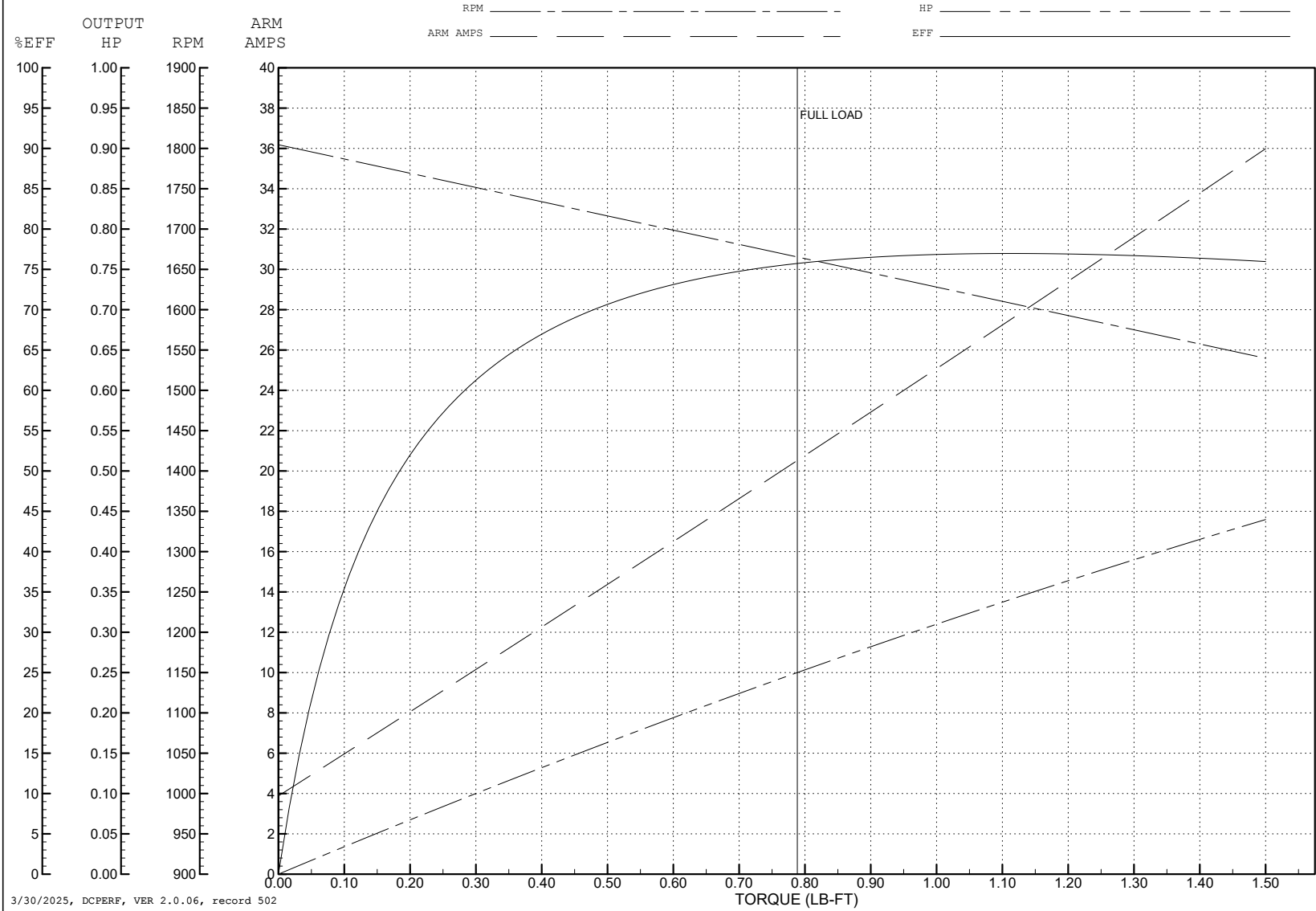
ABB Motors and Mechanical Inc.

WINDING # 34WGZ608

0.25 HP DC 1800 RPM 12 V 3416P

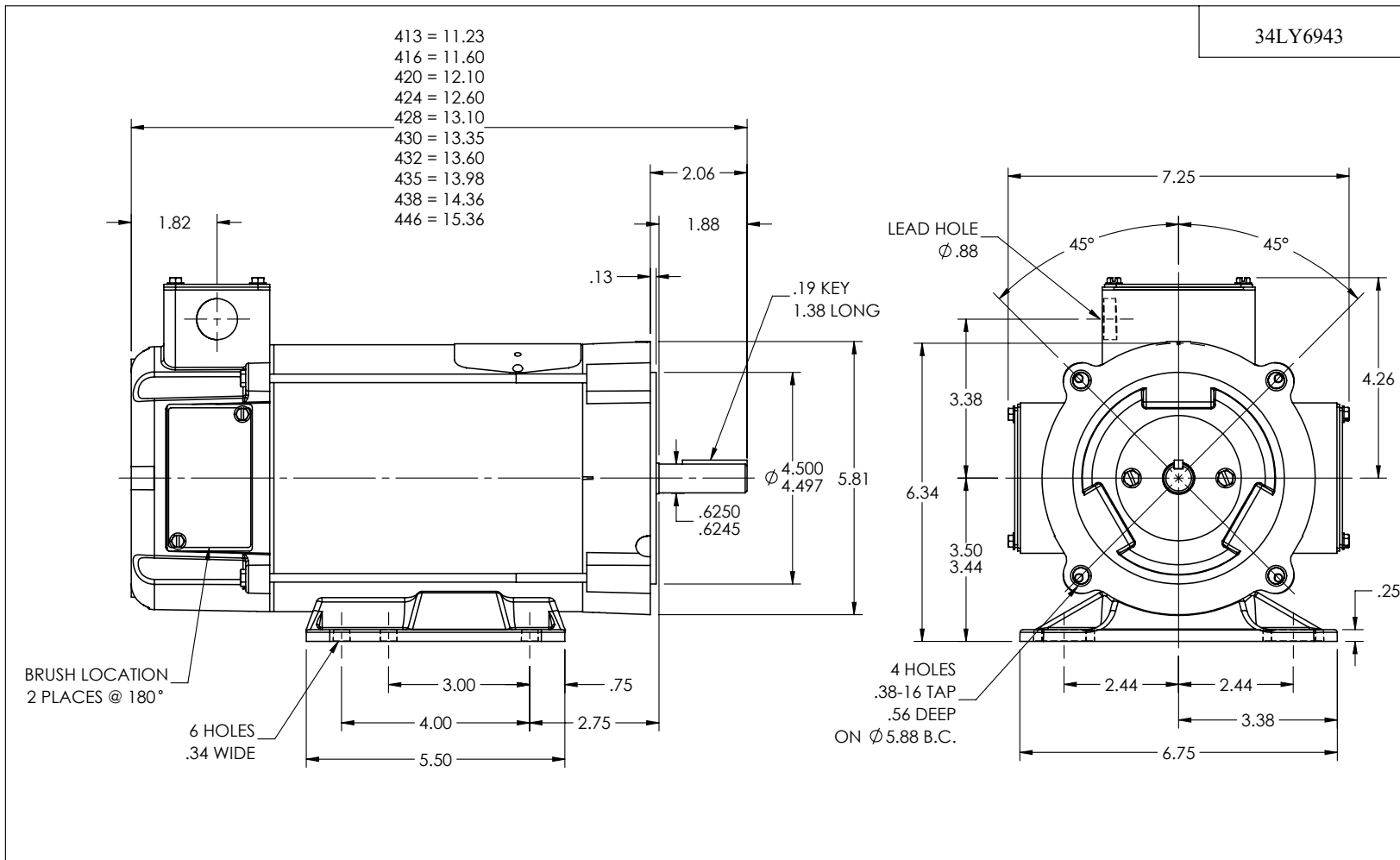
Typical performance - not guaranteed values.

ENCL: TENV DUTY: CONT CL: F



3/30/2025, DCPERF, VER 2.0.06, record 502

34LY6943



CUSTOMER IS RESPONSIBLE FOR DETERMINING THAT THE PRODUCT WILL PERFORM SUITABLY IN THE INTENDED APPLICATION

REV. DESC: LOAD TO SOLIDWORKS - REV H			
REV: J	VERSION: 08	REVISED: 10:07:54 01/04/2023	TDR: 000001201165
34LY6943		MODEL NO. 34LY6943	REF: -
		BY: ENFRAJ0	

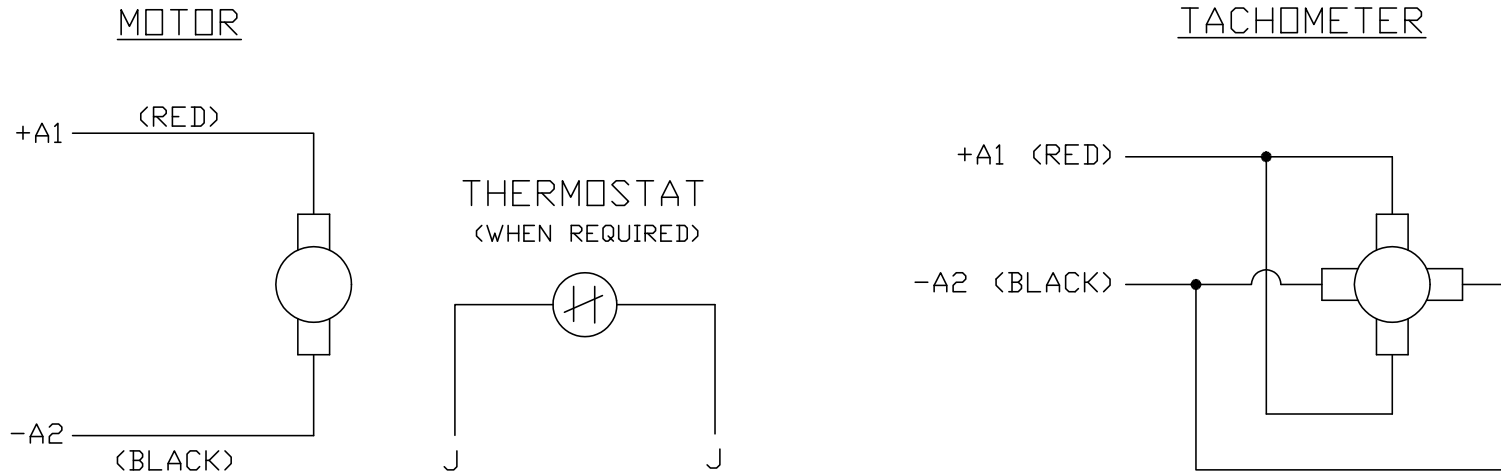
**BALDOR - RELIANCE®**

STD HORZ 34PM NEMA 56C TENV (HI DEMAG MOTOR) LOW VOLTS

34LY6943



CD0194



NOTES:

1. CCW ROTATION AS SHOWN FACING COMMUTATOR END. TO REVERSE MOTOR ROTATION OR TACHOMETER OUTPUT POLARITY INTERCHANGE LEADS A1(RED) & A2(BLACK)
2. LEAD COLORS FOR REFERENCE ONLY & NOT SPECIFIED BY THIS DRAWING. LEAD COLORS SPECIFIED BY LAYOUT DRAWING & BILL OF MATERIAL ONLY.

MATL: -			
REV: E	ADDED NOTE "LEAD COLORS FOR REFERENCE ONLY &..."		
CD0194	SCALE: -	BY: CK	REVISED: 07/28/95
	FILE: AAA00004503	TDR: 0078737	

**BALDOR ELECTRIC Co.**

CD TYPE P DC PERMANENT MAGNET MOTORS AND TACHOMETERS

CD0194