

BALDOR® • RELIANCE™

Customer information packet

CDP3430-V12

.5HP, 1800RPM, DC, 56C, 3420P, TENV, 12V

Class - None

Division -

Copyright © All product information within this document is subject to ABB Motors and Mechanical Inc. copyright © protection, unless otherwise noted.

3/29/2025 1:12:02 PM

Specifications

Armature Voltage	12 V
Base Speed	1800 rpm
Enclosure	TENV
Frame	56C
Frame Material	Steel
Haz Area Class and Group	None
Output Power	0.500 HP
Agency Approvals	CSA UR
Ambient Temperature	40 °C
Armature Current	40.0 a
Armature Inertia	6.887 lb-ft ²
Base Indicator	Rigid
Bearing Grease Type	Polyrex EM (-20F +300F)
Drip Cover	No Drip Cover
Duty Rating	CONT
Feedback Device	NO FEEDBACK
Heater Indicator	No Heater
Lifting Lugs	No Lifting Lugs
Motor Lead Exit	Special
Motor Lead Quantity/Wire Size	2 @ 10 AWG
Motor Lead Termination	Ring Terminals
Motor Standards	NEMA
Mounting Arrangement	F3
Overall Length	12.10 IN
Product Family	General Purpose
Pulley End Bearing Type	Sealed Bearing
Service Factor	1.00
Shaft Diameter	0.625 IN
Shaft Extension Location	Pulley End
Shaft Ground Indicator	No Shaft Grounding
Shaft Rotation	Reversible

Part detail

Revision	K
Type	DC
Mech. spec.	34-7080
Base	
Status	PRD/A
Elec. spec.	34WGZ609
Layout	34LY7080
Eff. date	10-25-2024
CD Diagram	CD0194
Poles	00
Leads	
Proprietary	False
Created date	01-01-0001

Shaft Slinger Indicator

No Slinger

Nameplate

NP0111L			
CAT.NO.	CDP3430-V12		
SPEC.	34-7080Z609G1		
HP	.5	ENCL	TENV
RPM	1800		
FRAME	56C	TYPE	3420P
ARM V	12	ARM A	40
FLD V		FLD A	
INSUL	F	AMB.	40
DUTY	CONT	SUPPLY	A
BRG/DE	6203	BRG/ODE	6203
BRUSHES	2/BP5104BV01		
	BLANK		
SER.			
BLANK			
APRV-CSA		APRV-UL	

Parts list

Part number	Description	Quantity
SA117093	SA 34-7080Z609G1	1.000 ea
AA010467	AA 34-7080Z609G1	1.000 ea
BP5104BV01	CARBON BRUSH - 12 DC - MZ65	2.000 ea
BP5100	SPRING PRESSURE BRACKET ASSY	2.000 ea
34RK5006A01	ROCKERARM ASSEMBLY MODEL 34 PM	1.000 ea
51XF1032A08	10/32X1/2 HXWSHR HD, SL, TYPE F ,SERATED	4.000 ea
86XN0832B06	8-32X3/8 BIND HD MACH,BRA	2.000 ea
HW1001B08	WASHER, #8 SPLT LD, BR	2.000 ea
WD1349	TERMINAL BLOCK, 2 STUD .25-20 BOLT	1.000 ea
34GS1023	GASKET, STRAIN RELIEF PLATE - CS-301 LEX	1.000 ea
51XW0832A07	8-32 X .44, TAPTITE II, HEX WSHR SLTD SE	4.000 ea
XY2520B12	1/4-20 BRASS NUT	4.000 ea
HW1000B25	1/4 SAE FL WASHER NARROW ID=.281 OD=.625	6.000 ea
34EP3112A07	FR EP 34PM TENV 203 BRG	1.000 ea
HW5100A03	WAVY WASHER (W1543-017)	1.000 ea
34CB4519	BRUSH INSPECTION COVER	2.000 ea
34GS1022	BRUSH INSP COVER GASKET,WHITE NON-CONDC	2.000 ea
51XW0832A07	8-32 X .44, TAPTITE II, HEX WSHR SLTD SE	4.000 ea
34EP3300A66	PU ENDPLATE, MACH W/INTERNAL RABBET	1.000 ea
51XN1032A20	10-32 X 1 1/4 HX WS SL SR	2.000 ea
HW2501D13	KEY, 3/16 SQ X 1.375	1.000 ea
HA7000A04	KEY RETAINER 0.625 DIA SHAFTS	1.000 ea
LD5000B14	LEAD ASSY, ML1400B08 W/#10 & .25 RING TE	1.000 ea
LB9000A51	LEAD MARKER - "A1"	4.000 sh
LB9000A52	LEAD MARKER - "A2"	4.000 sh
MG1050G01	CELEROL MEDIUM CHARCOAL METALLIC GRAY	0.014 ga
LD5000B14	LEAD ASSY, ML1400B08 W/#10 & .25 RING TE	1.000 ea
85XU0407S04	4X1/4 U DRIVE PIN STAINLESS	2.000 ea
HA3100A11	THRUBOLT 10-32 X 6.750	4.000 ea
LB1624	COMBINED WARNING LABEL, ISO/ANSI PICTOGR	1.000 ea
LC0194	CONNECTION LABEL	1.000 ea

MN416A01	TAG-INSTAL-MAINT no wire (2500bx)4/22	1.000 ea
NP0111L	NP STD LASER ENGRAVED DC MOTORS, UL CSA	1.000 ea
35PA1066	PKG GRP, PRINT PK1008A06	1.000 ea

DC Motor Performance Data

Record # 501

Typical performance - not guaranteed values

Winding: 34WGZ609-R002		Type: 3420P		Enclosure: TENV	
Nameplate Data			General Characteristics		
Rated Output (HP)	0.5	Armature Resistance @ 25°C	0.0213 Ω		
R.P.M.	1800	Voltage Constant	5.84 v/krpm		
Armature Volts	12	Armature Inductance	0.1689 mH		
Armature Amps	40	Armature Inertia	6.887 LI ²		
Field Volts					
Field Amps					
Rating - Duty	40C AMB-CONT				
Power Supply Code	A				

Load Characteristics at 12 Armature Volts

Load Point	1	2	3	4	5	6	7
Armature Amps	4.44	12.86	21.28	29.7	38.12	46.54	54.97
R.P.M.	2054	1990	1926	1863	1799	1736	1672
Torque (LB-FT)	0	0.375	0.75	1.125	1.5	1.875	2.25

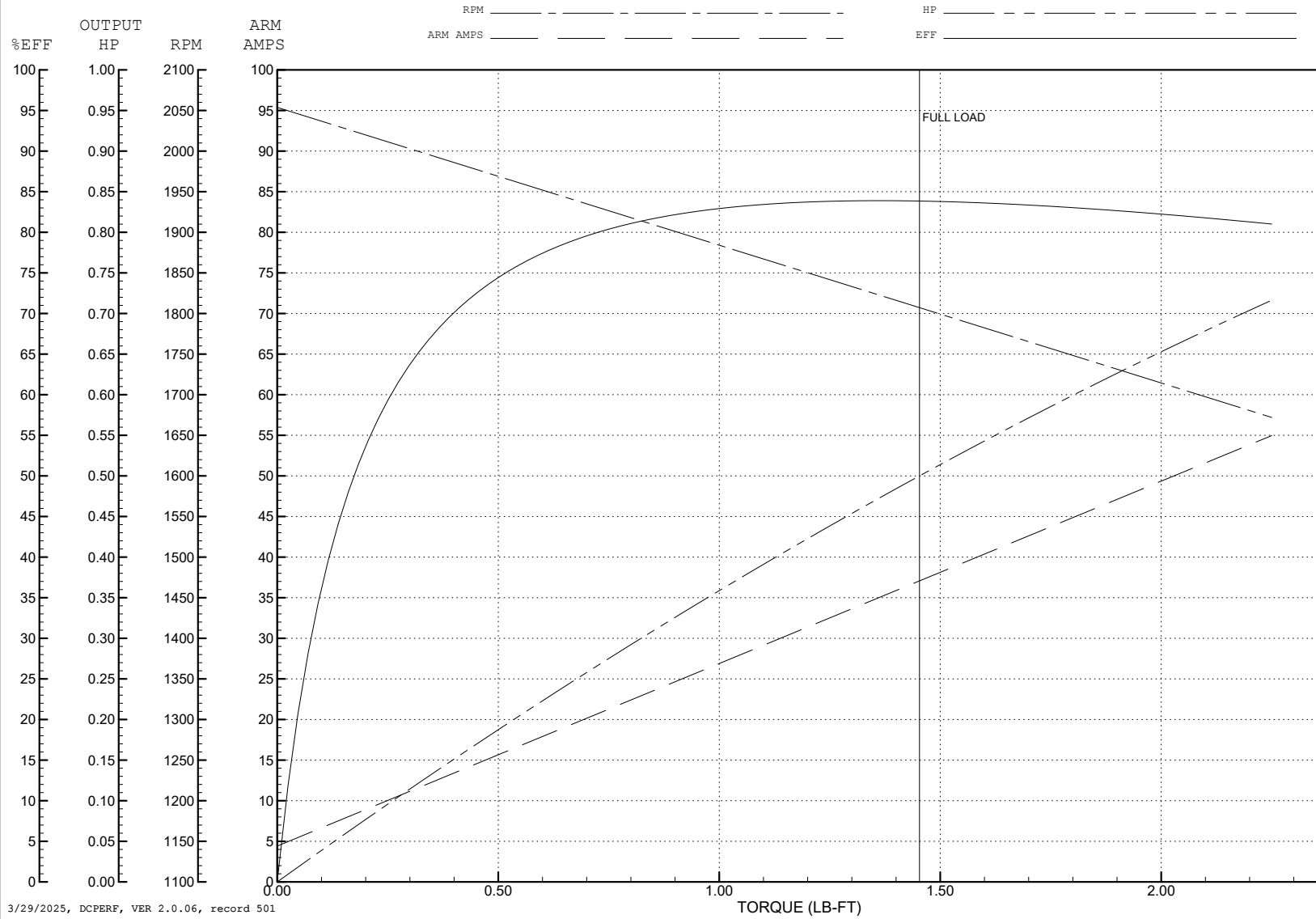
ABB Motors and Mechanical Inc.

WINDING # 34WGZ609

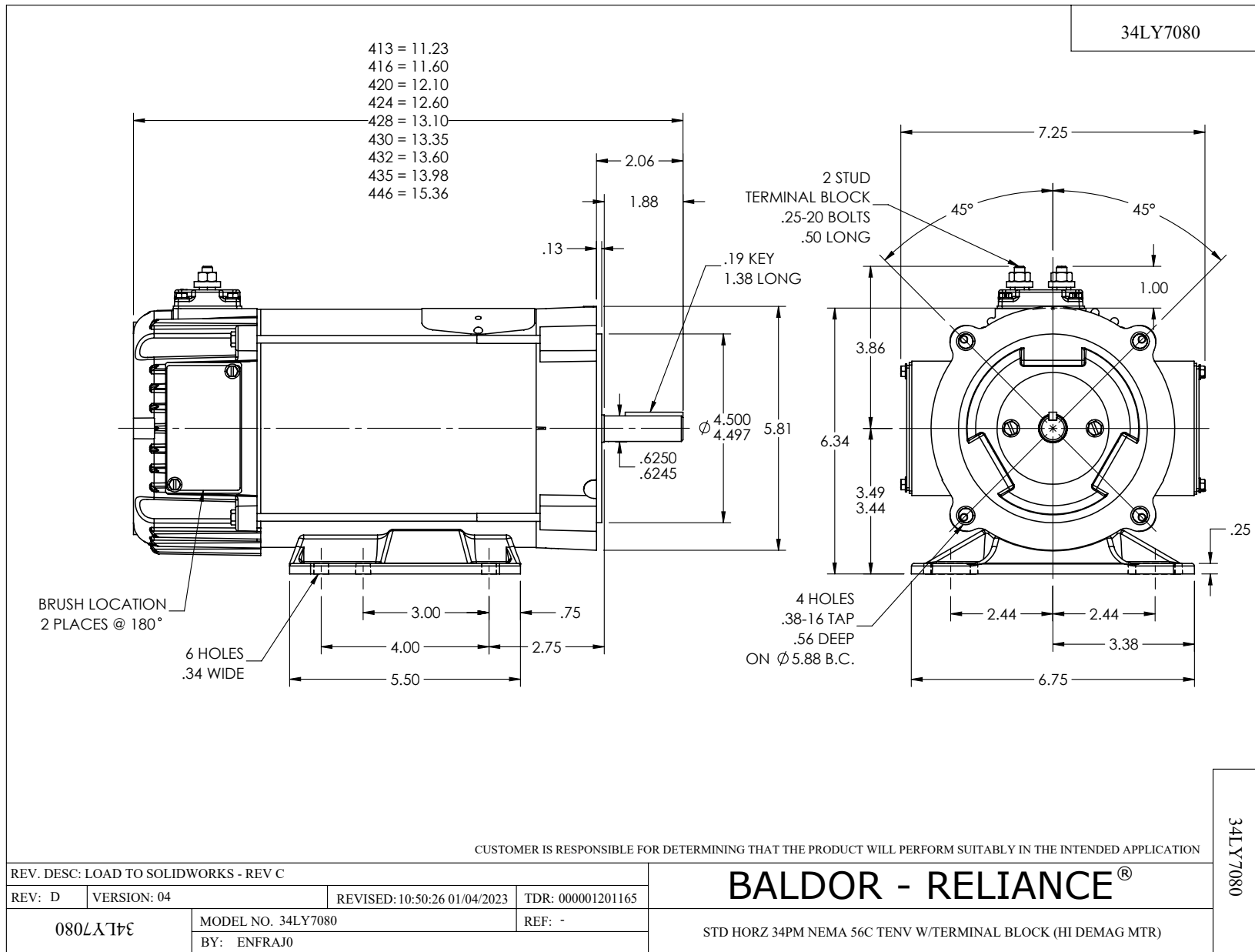
Typical performance - not guaranteed values.

0.5 HP DC 1800 RPM 12 V 3420P

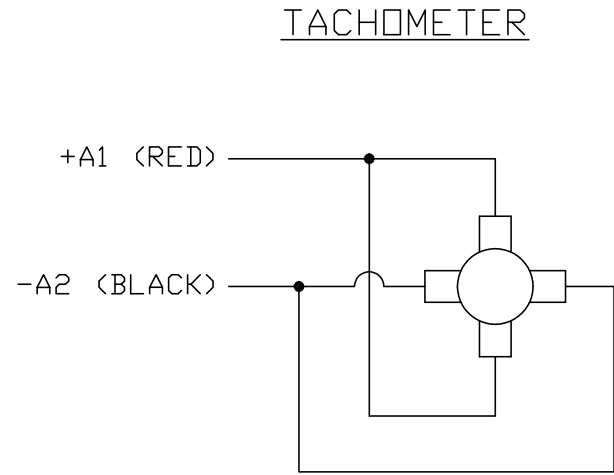
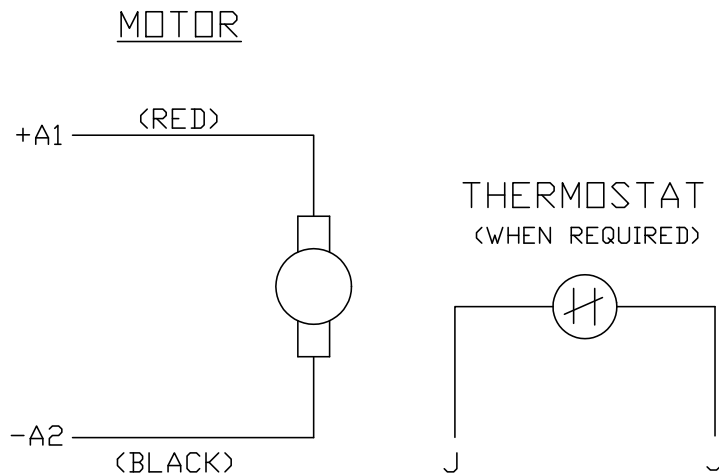
ENCL: TENV DUTY: CONT CL: F



3/29/2025, DCPERF, VER 2.0.06, record 501



CD0194



NOTES:

1. CCW ROTATION AS SHOWN FACING COMMUTATOR END. TO REVERSE MOTOR ROTATION OR TACHOMETER OUTPUT POLARITY INTERCHANGE LEADS A1(RED) & A2(BLACK)
2. LEAD COLORS FOR REFERENCE ONLY & NOT SPECIFIED BY THIS DRAWING. LEAD COLORS SPECIFIED BY LAYOUT DRAWING & BILL OF MATERIAL ONLY.

MATL: -			
REV: E	ADDED NOTE "LEAD COLORS FOR REFERENCE ONLY &..."		
CD0194	SCALE: -	BY: CK	REVISED: 07/28/95
	FILE: AAA00004503	TDR: 0078737	

BALDOR ELECTRIC Co.

CD TYPE P DC PERMANENT MAGNET MOTORS AND TACHOMETERS

CD0194