

BALDOR • RELIANCE

Customer information packet

CDPX3406

.25HP, 1750RPM, DC, 56C, X3413P, XPFC, F1

Class - CLI GP D; CLII GP F,G

Division -

Specifications

Armature Voltage	180 V
Base Speed	1750 rpm
Enclosure	XPFC
Frame	56C
Frame Material	Steel
Haz Area Class and Group	CLI GP D; CLII GP F,G
Output Power	0.250 HP
Agency Approvals	CSA UL UR
Ambient Temperature	40 °C
Armature Current	1.3 a
Armature Inertia	5.073 lb-ft ²
Base Indicator	Rigid
Bearing Grease Type	Polyrex EM (-20F +300F)
Drip Cover	No Drip Cover
Duty Rating	CONT
Feedback Device	NO FEEDBACK
Haz Area Temp Code	T3C
Heater Indicator	No Heater
Lifting Lugs	No Lifting Lugs
Motor Lead Exit	Ko Box
Motor Lead Quantity/Wire Size	2 @ 14 AWG, A
Motor Lead Termination	Flying Leads
Motor Standards	NEMA
Mounting Arrangement	F1
Overall Length	13.87 IN
Product Family	General Purpose
Pulley End Bearing Type	Sealed Bearing
Service Factor	1.00
Shaft Diameter	0.625 IN
Shaft Extension Location	Pulley End

Part detail

Revision	AF
Type	DC
Mech. spec.	34-6519
Base	
Status	PRD/A
Elec. spec.	34WG4397
Layout	34LY6519
Eff. date	06-15-2023
CD Diagram	CD0194
Poles	00
Leads	2#14 A,2#18 JJ Y
Proprietary	False
Created date	01-01-0001

Shaft Ground Indicator

No Shaft Grounding

Shaft Rotation

Reversible

Shaft Slinger Indicator

No Slinger

Nameplate

NP0727XPSL			
NO.			
SER.			
SPEC.	34-6519-4397G1		
CAT.NO.	CDPX3406	T. CODE	T3C
HP	.25	ENCL	XPFC
RPM	1750		
FRAME	56C	TYPE	3413P
ARM V	180	ARM A	1.3
FLD V		FLD A	
INSUL	F	AMB.	40
DUTY	CONT	SUPPLY	1.5
BRG/DE	6203	BRG/ODE	6203
BRUSHES	2/BP5011CV01		
BLANK			

Parts list

Part number	Description	Quantity
SA005410	SA 34-6519-4397G1	1.000 ea
AA003059	AA 34-6519-4397G1	1.000 ea
BP5011CV01SP	CARBON BRUSH - 33P, 180V	1.000 ea
BP5012A04SP	BRUSH SPRING FOR DC MOTORS	1.000 ea
MJ5000A09	EFI KIT #1578 (400 ML CARTRIDGE OF EFI	0.050 ea
11XW1032G06	10-32 X .38, TAPTITE II, HEX WSHR SLTD U	1.000 ea
HW3001B02	BRASS CUP WASHER W/GROUND SYMBOL TAB,	1.000 ea
35CB3001A01SP	EXPL CONDUIT BOX, MACH, 1/2" PIPE TAP LE	1.000 ea
51XW0832A07	8-32 X .44, TAPTITE II, HEX WSHR SLTD SE	4.000 ea
34EP2700A01	SPL FR.E.P. X34DC	1.000 ea
HW4030A01	1-1/2" N.P.T. PIPE PLUG W/SQ.HEAD	2.000 ea
HW3021E06	1/8 DIA X 5/8 ROLLPIN (F/S)	1.000 ea
HW4002A02	1-11.5X2LG PIPE NIPPLE (F/S)	1.000 ea
HW5100A03	WAVY WASHER (W1543-017)	1.000 ea
34EP3705A01SP	PU ENDPLATE, MACH	1.000 ea
34FN3002A01SP	EXTERNAL FAN, PLASTIC, .637/.639 HUB W/	1.000 ea
34FH4002A01SP	IEC FH NO GREASER PRIMED	1.000 ea
51XW1032A06	10-32 X .38, TAPTITE II, HEX WSHR SLTD S	3.000 ea
35CB3500A01SP	CONDUIT BOX LID, MACH	1.000 ea
51XN2520A16	SCREW, HEX WS SLT, ZN, 1/4-20 X 1.00	4.000 ea
HW2501D13	KEY, 3/16 SQ X 1.375	1.000 ea
HA7000A04	KEY RETAINER 0.625 DIA SHAFTS	1.000 ea
NP0018W	ALUM UL XP CONDUIT BOX NAMEPLATE	1.000 ea
HW1025A10	#10 BALANCE WASHER (SPL)	2.000 ea
MG1025G29	WILKOFASST, 789.229, DARK CHARCOAL GRAY	0.014 ga
NP0731	NAMEPLATE, CAUTION FOR DC EXPLOSION PROO	1.000 ea
85XU0407S04	4X1/4 U DRIVE PIN STAINLESS	6.000 ea
WD1000A24	42800-1 AMPFLG TRM(6M/RL)NON-CANCELLABLE	2.000 ea
34RK5004	ROCKERARM ASSY 34PM W/TP1515A01 T'STAT	1.000 ea
ML14A1B14	14 AWG,A1,BLACK	8.500 in
ML14A2B14	14 AWG,A2,BLACK	8.500 in

HA3104A01	5/16-18X 6.75 THRU BOLT	4.000 ea
MN416A01	TAG-INSTAL-MAINT no wire (2500bx)4/22	1.000 ea
LB1624	COMBINED WARNING LABEL, ISO/ANSI PICTOGR	1.000 ea
LB1161	LABEL,THERMOSTAT (ROLL LABEL)	1.000 ea
LC0194	CONNECTION LABEL	1.000 ea
NP0727XPSL	SS XP DC UL CSA CC CL-I GP-D CL-II GP-F&	1.000 ea
35PA1007	PKG GRP, PRINT PK1034A06	1.000 ea

DC Motor Performance Data

Record # 1436

Typical performance - not guaranteed values

Winding: 34WG4397-R006		Type: 3413P	Enclosure: XPFC	
Nameplate Data		General Characteristics		
Rated Output (HP)	0.25	Armature Resistance @ 25°C	7.81 Ω	
R.P.M.	1750			
Armature Volts	180			
Armature Amps	1.3			
Field Volts				
Field Amps				
Rating - Duty	40C AMB-CONT			
Form Factor	1.5			

Load Characteristics at 180 Armature Volts

Load Point	1	2	3	4	5	6	7
Armature Amps	0.29	0.57	0.81	1.09	1.42	1.73	2.06
R.P.M.	2046	2020	1997	1958	1913	1863	1828
Torque (LB-FT)	0	0.1875	0.375	0.5625	0.75	0.9375	1.125

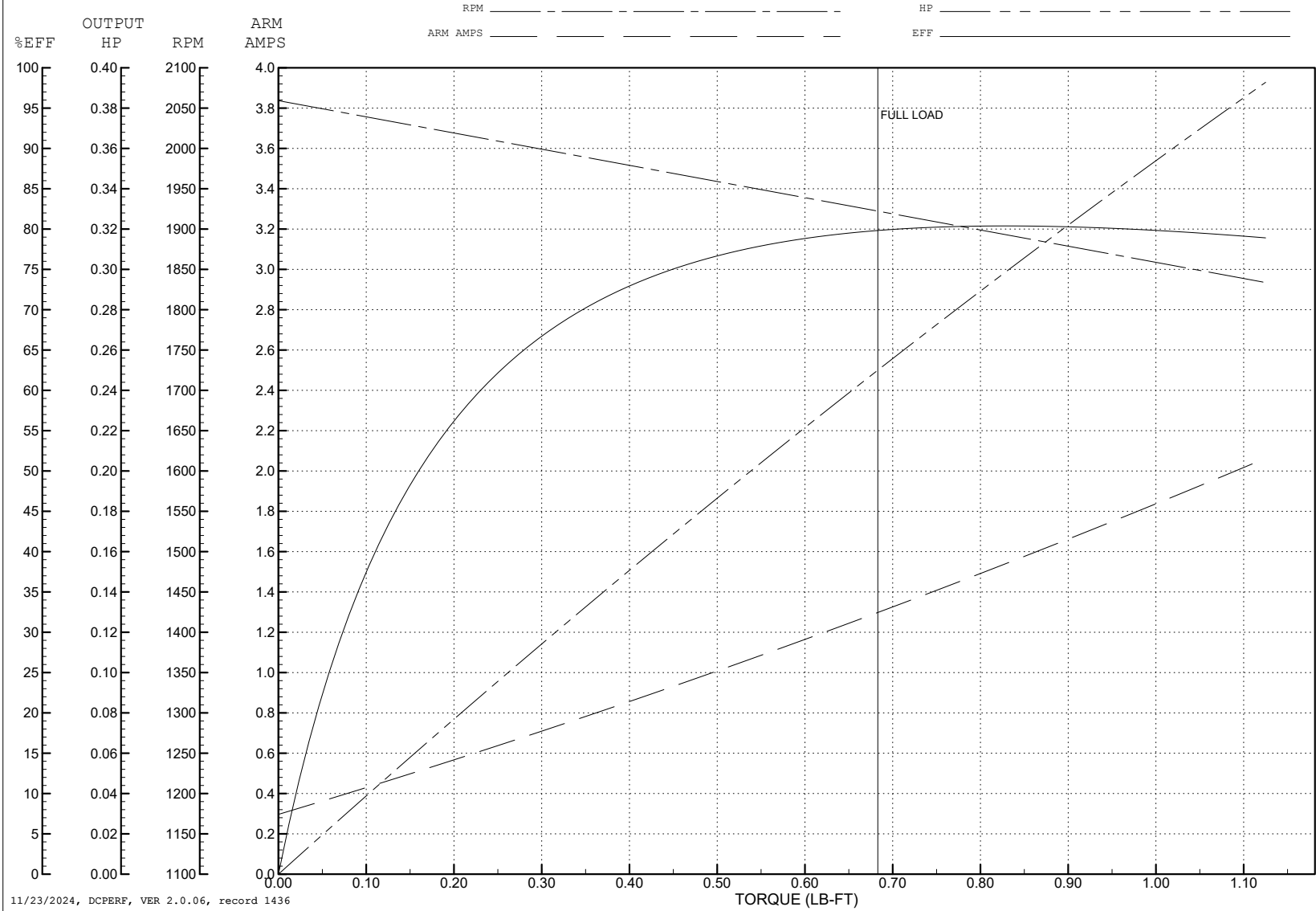
ABB Motors and Mechanical Inc.

WINDING # 34WG4397

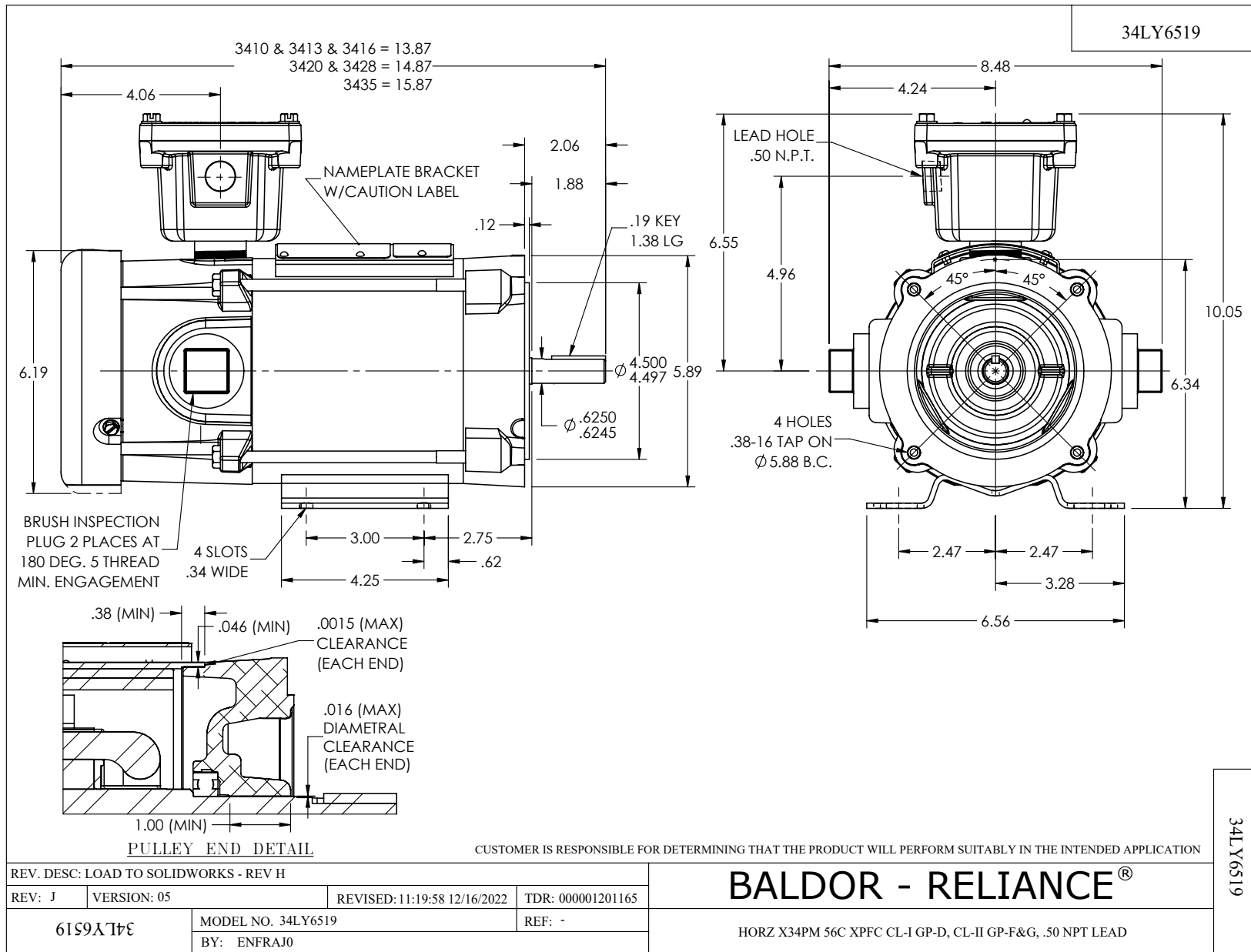
0.25 HP DC 1750 RPM 180 V 3413P

Typical performance - not guaranteed values.

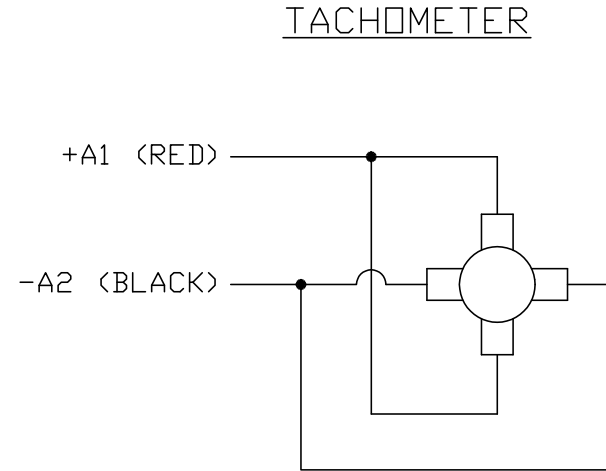
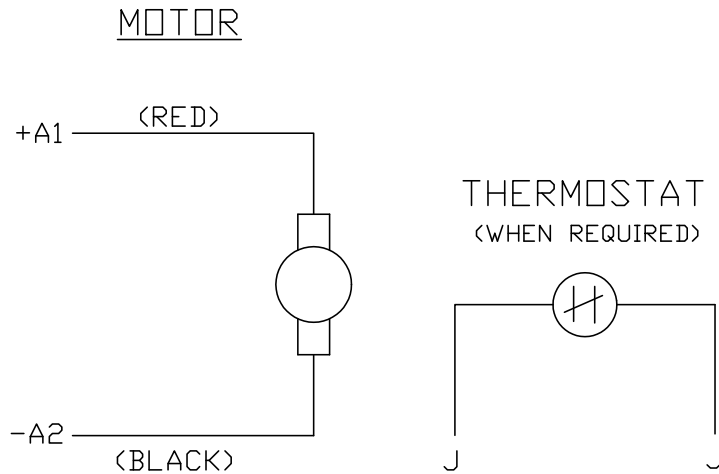
ENCL: XPFC DUTY: CONT CL: F



11/23/2024, DCPERF, VER 2.0.06, record 1436



CD0194



NOTES:

1. CCW ROTATION AS SHOWN FACING COMMUTATOR END. TO REVERSE MOTOR ROTATION OR TACHOMETER OUTPUT POLARITY INTERCHANGE LEADS A1(RED) & A2(BLACK)
2. LEAD COLORS FOR REFERENCE ONLY & NOT SPECIFIED BY THIS DRAWING. LEAD COLORS SPECIFIED BY LAYOUT DRAWING & BILL OF MATERIAL ONLY.

MATL: -			
REV: E	ADDED NOTE "LEAD COLORS FOR REFERENCE ONLY &..."		
CD0194	SCALE: -	BY: CK	REVISED: 07/28/95
	FILE: AAA00004503	TDR: 0078737	

BALDOR ELECTRIC Co.

CD TYPE P DC PERMANENT MAGNET MOTORS AND TACHOMETERS

CD0194