

BALDOR • RELIANCE

Customer information packet

CDPX3545

1HP, 1750RPM, DC, 56C, X3536P, XPFC, F1

Class - CLI GP D; CLII GP F,G

Division -

Specifications

Armature Voltage	90 V
Base Speed	1750 rpm
Enclosure	XPFC
Frame	56C
Frame Material	Steel
Haz Area Class and Group	CLI GP D; CLII GP F,G
Output Power	1.000 HP
Agency Approvals	CSA UL UR
Ambient Temperature	40 °C
Armature Current	9.6 a
Armature Inertia	30.342 lb-ft ²
Base Indicator	Rigid
Bearing Grease Type	Polyrex EM (-20F +300F)
Drip Cover	No Drip Cover
Duty Rating	CONT
Feedback Device	NO FEEDBACK
Haz Area Temp Code	T3C
Heater Indicator	No Heater
Lifting Lugs	No Lifting Lugs
Motor Lead Exit	Ko Box
Motor Lead Quantity/Wire Size	2 @ 14 AWG
Motor Lead Termination	Flying Leads
Motor Standards	NEMA
Mounting Arrangement	F1
Overall Length	18.36 IN
Product Family	Hazardous Location Motor
Pulley End Bearing Type	Sealed Bearing
Service Factor	1.00
Shaft Diameter	0.625 IN
Shaft Extension Location	Pulley End

Part detail

Revision	AG
Type	DC
Mech. spec.	35P565
Base	
Status	PRD/A
Elec. spec.	35WGZ235
Layout	35LYP565
Eff. date	06-23-2023
CD Diagram	CD0194
Poles	00
Leads	
Proprietary	False
Created date	01-01-0001

Shaft Ground Indicator

No Shaft Grounding

Shaft Rotation

Reversible

Shaft Slinger Indicator

No Slinger

Nameplate

NP0727XPSL			
NO.			
SER.			
SPEC.	35P565Z235G1		
CAT.NO.	CDPX3545	T. CODE	T3C
HP	1	ENCL	XPFC
RPM	1750		
FRAME	56C	TYPE	3536P
ARM V	90	ARM A	9.6
FLD V		FLD A	
INSUL	F	AMB.	40
DUTY	CONT	SUPPLY	K
BRG/DE	6205	BRG/ODE	6203
BRUSHES	2/BP5035C01		
BLANK			

Parts list

Part number	Description	Quantity
SA005563	SA 35P565Z235G1	1.000 ea
AA003212	AA 35P565Z235G1	1.000 ea
BP5035C01	BRUSH ASSY, HELWIG GRADE 6H3	2.000 ea
BP5034	BRSH SPRG ASSY. "REV.B" 35X PM MTR(VULCA	2.000 ea
MJ5000A09	EFI KIT #1578 (400 ML CARTRIDGE OF EFI	0.050 ea
35CB3001A02SP	EXPL PROOF CONDUIT BOX, 3/4"PIPE TAP LEA	1.000 ea
HW4002A02	1-11.5X2LG PIPE NIPPLE (F/S)	1.000 ea
11XW1032G06	10-32 X .38, TAPTITE II, HEX WSHR SLTD U	1.000 ea
HW3001B02	BRASS CUP WASHER W/GROUND SYMBOL TAB,	1.000 ea
35EP2700A01	FR EP-203 BRG- X35L-M	1.000 ea
HW4030A01	1-1/2" N.P.T. PIPE PLUG W/SQ.HEAD	2.000 ea
51XW0832A07	8-32 X .44, TAPTITE II, HEX WSHR SLTD SE	4.000 ea
HW5100A03	WAVY WASHER (W1543-017)	1.000 ea
35EP3702A06	PU EP-205 BRG-35X-56C-143-5TC	1.000 ea
51XN1032A20	10-32 X 1 1/4 HX WS SL SR	2.000 ea
HA3013A01	1/2-20X5/8 SPL.HX BOLT	2.000 ea
HW3021C06	3/32 DI X .625 PIN (F/S)	2.000 ea
XY3118A12	5/16-18 HEX NUT DIRECTIONAL SERRATION	4.000 ea
35FN3002A05SP	EXFN, PLASTIC, 6.376 OD, .638 ID	1.000 ea
51XB1214A16	12-14X1.00 HXWSSLD SERTYB	1.000 ea
51XW1032A06	10-32 X .38, TAPTITE II, HEX WSHR SLTD S	3.000 ea
35CB3500A01SP	CONDUIT BOX LID, MACH	1.000 ea
51XN2520A16	SCREW, HEX WS SLT, ZN, 1/4-20 X 1.00	4.000 ea
HW2501D13	KEY, 3/16 SQ X 1.375	1.000 ea
HA7000A04	KEY RETAINER 0.625 DIA SHAFTS	1.000 ea
NP0018W	ALUM UL XP CONDUIT BOX NAMEPLATE	1.000 ea
NP0731	NAMEPLATE, CAUTION FOR DC EXPLOSION PROO	1.000 ea
35RK5001	ROCKERARM ASSY X35PM W/TP1515A01 T'STAT	1.000 ea
35FH4005A01SP	IEC FH NO GREASER W/PRIMED	1.000 ea
MG1025G29	WILKOFAS, 789.229, DARK CHARCOAL GRAY	0.014 ga
85XU0407S04	4X1/4 U DRIVE PIN STAINLESS	8.000 ea

HA3104A11	THRUBOLT 5/16-18 X 10.500 X (OHIO)#851	4.000 ea
MG5017	VARNISH - PDG 2500	0.050 ga
MN416A01	TAG-INSTAL-MAINT no wire (2500bx)4/22	1.000 ea
LB1624	COMBINED WARNING LABEL, ISO/ANSI PICTOGR	1.000 ea
LC0194	CONNECTION LABEL	1.000 ea
NP0727XPSL	SS XP DC UL CSA CC CL-I GP-D CL-II GP-F&	1.000 ea
35PA1007	PKG GRP, PRINT PK1034A06	1.000 ea

DC Motor Performance Data

Record # 1414

Typical performance - not guaranteed values

Winding: 35WGZ235-R011		Type: 3536P		Enclosure: TEFC	
Nameplate Data			General Characteristics		
Rated Output (HP)	1	Armature Resistance @ 25°C	0.245 Ω		
R.P.M.	1750	Voltage Constant	50.01 v/krpm		
Armature Volts	90	Armature Inductance	3.789 mH		
Armature Amps	9.6	Armature Inertia	30.3419 LI ²		
Field Volts					
Field Amps					
Rating - Duty	40C AMB-CONT				
Power Supply Code	K				

Load Characteristics at 90 Armature Volts

Load Point	1	2	3	4	5	6	7
Armature Amps	1	3.3	4.5	8	10.1	12.3	14.8
R.P.M.	1930	1926	1919	1865	1850	1756	1745
Torque (LB-FT)	0	0.75	1.15	2.25	3	3.75	4.5

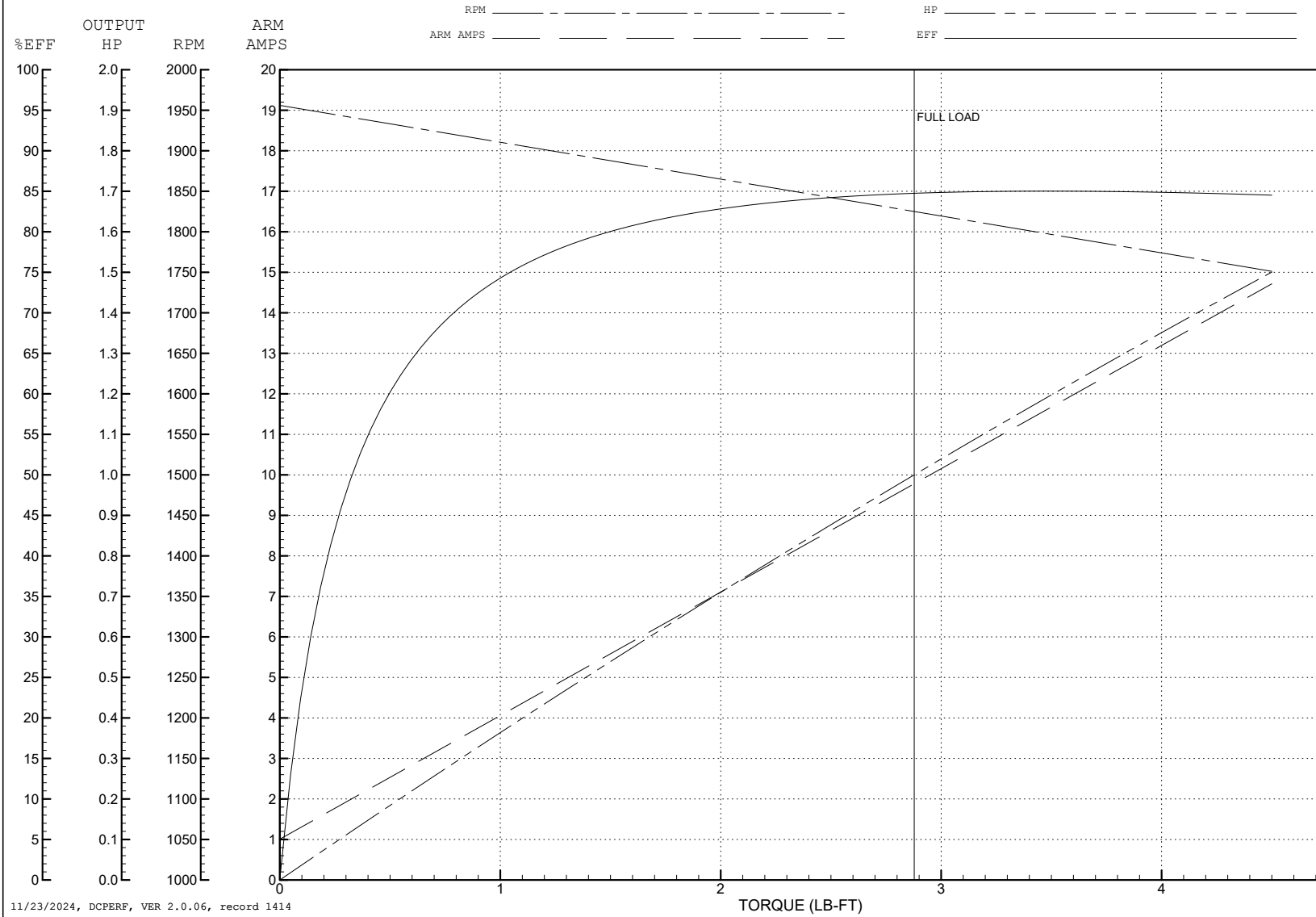
ABB Motors and Mechanical Inc.

WINDING # 35WGZ235

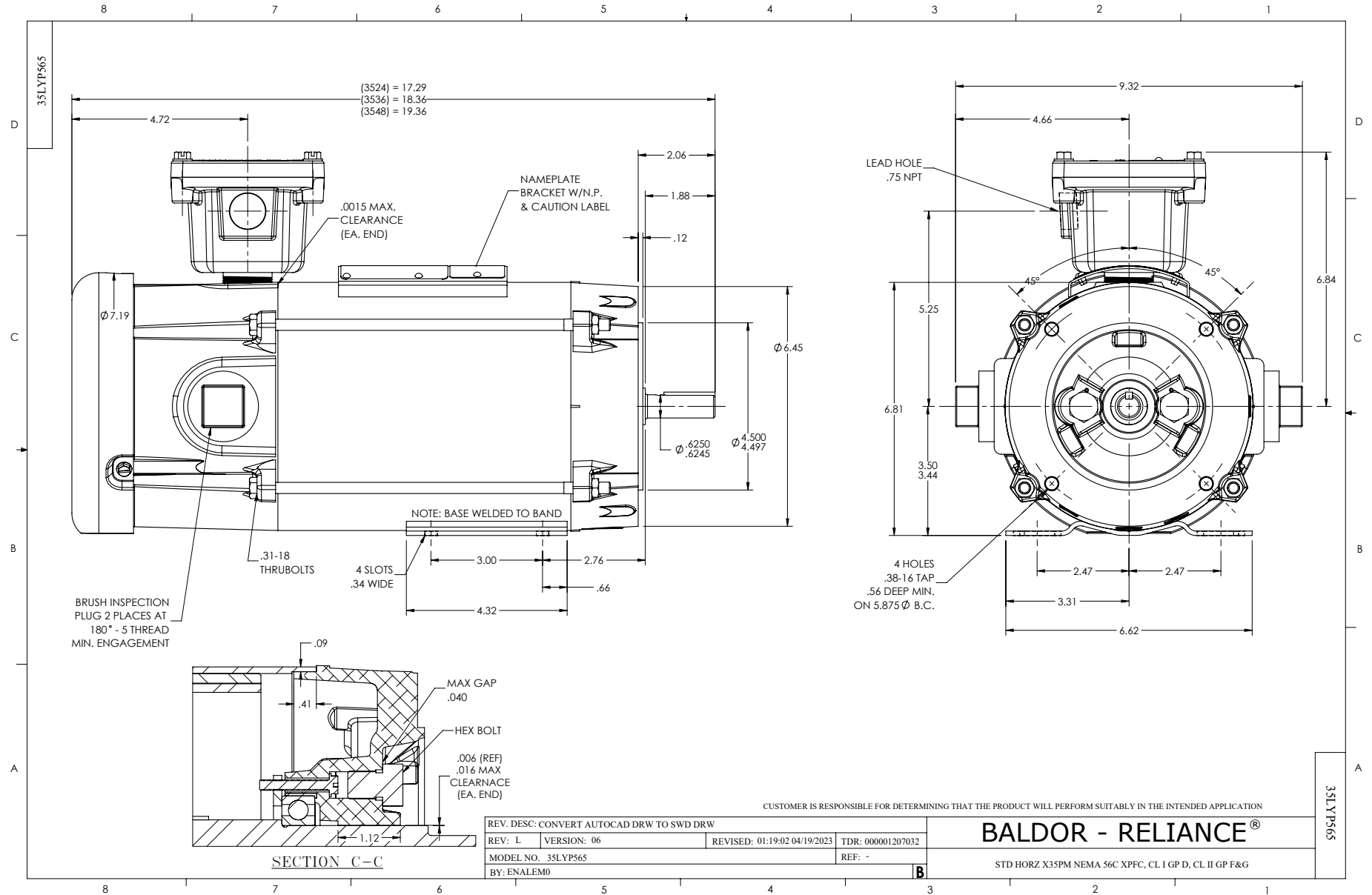
Typical performance - not guaranteed values.

1 HP DC 1750 RPM 90 V 3536P

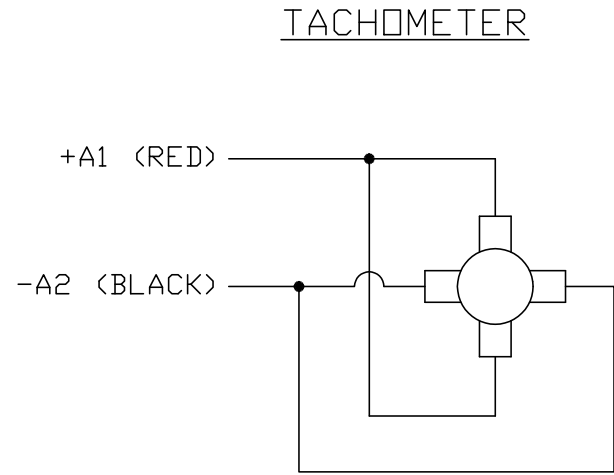
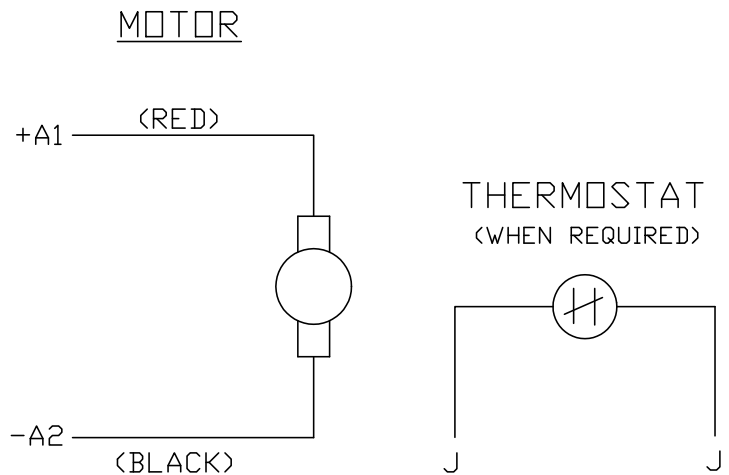
ENCL: TEFC DUTY: CONT CL: F



11/23/2024, DCPERF, VER 2.0.06, record 1414



CD0194



NOTES:

1. CCW ROTATION AS SHOWN FACING COMMUTATOR END. TO REVERSE MOTOR ROTATION OR TACHOMETER OUTPUT POLARITY INTERCHANGE LEADS A1(RED) & A2(BLACK)
2. LEAD COLORS FOR REFERENCE ONLY & NOT SPECIFIED BY THIS DRAWING. LEAD COLORS SPECIFIED BY LAYOUT DRAWING & BILL OF MATERIAL ONLY.

MATL: -			
REV: E	ADDED NOTE "LEAD COLORS FOR REFERENCE ONLY &..."		
CD0194	SCALE: -	BY: CK	REVISED: 07/28/95
	FILE: AAA00004503	TDR: 0078737	

BALDOR ELECTRIC Co.

CD TYPE P DC PERMANENT MAGNET MOTORS AND TACHOMETERS

CD0194