

BALDOR • RELIANCE

Customer information packet

CECP4316T

75HP, 1780RPM, 3PH, 60HZ, 365TC, A36070M, TEFC

Class - None

Division - Division II

Copyright © All product information within this document is subject to ABB Motors and Mechanical Inc. copyright © protection, unless otherwise noted.

11/24/2024 4:30:06 AM

Specifications

Enclosure	TEFC
Frame	365TC
Frame Material	Iron
Frequency	60.00 Hz
Haz Area Class and Group	None
Haz Area Division	Division II
Motor Letter Type	Three Phase
Output @ Frequency	75.000 HP @ 60 HZ
Phase	3
Synchronous Speed @ Frequency	1800 RPM @ 60 HZ
Voltage @ Frequency	230.0 V @ 60 HZ 460.0 V @ 60 HZ
Agency Approvals	CCSAUSEEV CURUSEEV NEMA PREMIUM NEMA_PREMIUM UR
Ambient Temperature	40 °C
Auxillary Box	No Auxillary Box
Base Indicator	Rigid
Bearing Grease Type	Polyrex EM (-20F +300F)
Constant Torque Speed Range	15-60
Current @ Voltage	86.000 A @ 460.0 V 188.000 A @ 208.0 V 172.000 A @ 230.0 V
Design Code	B
Drip Cover	No Drip Cover
Duty Rating	CONT
Efficiency @ 100% Load	95.4 %
Feedback Device	NO FEEDBACK
Haz Area Temp Code	T3
Heater Indicator	No Heater

Part detail

Revision	G
Type	AC
Mech. spec.	
Base	
Status	PRD/A
Elec. spec.	A36WG4076
Layout	611740-503-SH1
Eff. date	08-26-2024
CD Diagram	416820-002
Poles	04
Leads	3#4,6#6
Proprietary	False
Created date	05-15-2020

High Voltage Full Load Amps	86.0 a
Insulation Class	F
Inverter Code	Inverter Ready
KVA Code	G
Lifting Lugs	Standard Lifting Lugs
Motor Lead Quantity/Wire Size	3 @ 4 AWG
Motor Standards	NEMA
Motor Type	A36070M
Mounting Arrangement	F1
Number of Poles	4
Overall Length	33.44 IN
Power Factor	86
Product Family	General Industrial
Pulley End Bearing Type	Ball
Pulley Face Code	C-Face
Service Factor	1.15
Shaft Diameter	2.375 IN
Shaft Ground Indicator	No Shaft Grounding
Shaft Rotation	Reversible
Shaft Slinger Indicator	Shaft Slinger
Speed	1780 rpm
Speed Code	Single Speed
Starting Method	Direct on line
Thermal Device - Bearing	None
Thermal Device - Winding	None

Nameplate

NP4033LUA

CAT #	CECP4316T			SER				CC				
SPEC	A36-7700-4076			RATING	40C AMB-CONT							
HZ	VOLTS		AMPS		RPM	HP	CODE	SF	DES	PF	NEMA NOM. EFF	
60	230/460		172/86		1780	75	G	1.15	B	86 %	95.4 %	
										%		%
PH	3	CL	F	MAX RPM			MAX CORR KVAR	15.8				
BRG	DE	6313	ODE	6313	ENCL	TEFC	FR	365TC	IP	55		
GREASE	POLYREX EM						MTR WT			LBS		
CL I DIV 2 GRPS A,B,C,D				CL I ZONE 2 GRPS				IIA,IIB,IIC		TEMP T	200	C
INV READY	CT	15-60	HZ	4:1	VT	3-60	HZ	20:1	CHP	60-90	HZ	1.5:1
INV TEMP CL	200	C	USABLE AT	50HZ 60HP 190/380V 168/84A								SF1.0

Parts list

Part number	Description	Quantity
SA381903	SA A36-7700-4076	1.000 ea
RA372021	RA A36-7700-4076	1.000 ea
NP4033LUA	SS SUPER-E SD XEX, CLI DIV2, CURUS-EEV,	1.000 ea
421948032	LABEL, MYLAR	1.000 ea
000692000VD	LABEL WARNING	1.000 ea
085922073B	BRKT 360 085922072WCC KB	1.000 ea
415072001B	CLAMP	1.000 ea
078559001A	+FANCV - 360	1.000 ea
034180012DA	KEY 1X4X1/4X1-1/2 L	1.000 ea
412118006A	DRAIN	1.000 ea
702676001C	FAN 360	1.000 ea
004824015A	GREASE POLYREX EM	0.540 lb
032018012DK	HHCS 1/2-13X1-1/2 PLTD. 032018012DR	4.000 ea
032018008AK	HHCS 1/4-20X1 PLATED	4.000 ea
032018024CK	HHCS 3/8-16X3 PLTD.	3.000 ea
415096002A	CPLG 1/8 HEX TYPE	1.000 ea
415045002E	SLGR	1.000 ea
410700004F	WSHR	1.000 ea
034530052AB	P/NIP 1/8X6-1/2 Zinc	1.000 ea
034690002AB	PPLG 1/4" PLTD.	1.000 ea
034690002AB	PPLG 1/4" PLTD.	1.000 ea
085922070B	BRKT 360 085922069WCA	1.000 ea
032018012DK	HHCS 1/2-13X1-1/2 PLTD. 032018012DR	4.000 ea
032018024CK	HHCS 3/8-16X3 PLTD.	3.000 ea
415045002E	SLGR	1.000 ea
412118006A	DRAIN	1.000 ea
076708000BB	CONDUIT BOX-360	1.000 ea
065776000C	GASKET,MAIN CBOX, 320-400	1.000 ea
076709000A	C/B Cover - 360	1.000 ea
067053000B	GASK 320-400	1.000 ea
418150003A	GREASE FITTING CAP	1.000 ea

032018010CK	HHCS 3/8-16X1-1/4 PLTD. 032018010CR	4.000 ea
035000001A	ALFTG 1/8" 1610-BL	1.000 ea
415000115H	T/LUG #2AWG-4/0AWG	1.000 ea
033512008LB	HHTTS 1/4-20X1 PLATED	4.000 ea
406099000A	PLUG - FAN COVER 320-440	1.000 ea
034000014AB	WSH ID.406 OD.812 TH.065	4.000 ea
048977006B	GRFTG - XP	1.000 ea
035000001A	ALFTG 1/8" 1610-BL	1.000 ea
418150003A	GREASE FITTING CAP	1.000 ea
MG1025N19	WILKO 778.50 BLUE GREEN - 55 GAL DRUMS	0.250 ga
033775004EA	DRSCR #6-1/4 304 S.S.	4.000 ea
034180034HA	KEY 5/8X5/8X4-1/4 L	1.000 ea
14PA1000	PACKAGING 314 GROUP COMBINED PRINT	1.000 ea
HW1000A32	5/16 FL WASHER WIDE, ID=.344, OD=1.125	3.000 ea
032509020C	CARRIAGE BOLT - 360	3.000 ea
032018005DL	1/2-13 X 5/8 SILICON BRONZE HHCS	1.000 ea
LB1449	DIV-2/NEC WARNING LABEL	1.000 ea

AC induction motor performance data

Record #71910 - Typical performance - not guaranteed values

Winding	A36WG4076
Type	A3670M
Enclosure	TEFC

Nameplate data

Rated Output			75
Volts			230/460
Full Load Amps			172/86
R.P.M.			1780
Hz	60	Phase	3
KVA Code			G
S.F.			1.15
NEMA Nom. Eff.	95.4	Power Factor	86
Duty			CONT
S.F. Amps			

460 V, 60 Hz:

High Voltage Connection

Full Load Torque	220.4 LB-FT
Start Configuration	direct on line
Breakdown Torque	618 LB-FT
Pull-up Torque	341 LB-FT
Locked-rotor Torque	434 LB-FT
Starting Current	545 A
No-load Current	27.5
Line-line Res. @ 25°C	0.081965 Ω
Temp. Rise @ Rated Load	60°C
Temp. Rise @ S.F. Load	75°C
Locked-rotor Power Factor	31.8
Rotor inertia	0

Load Characteristics 460 V, 60 Hz, 75 HP

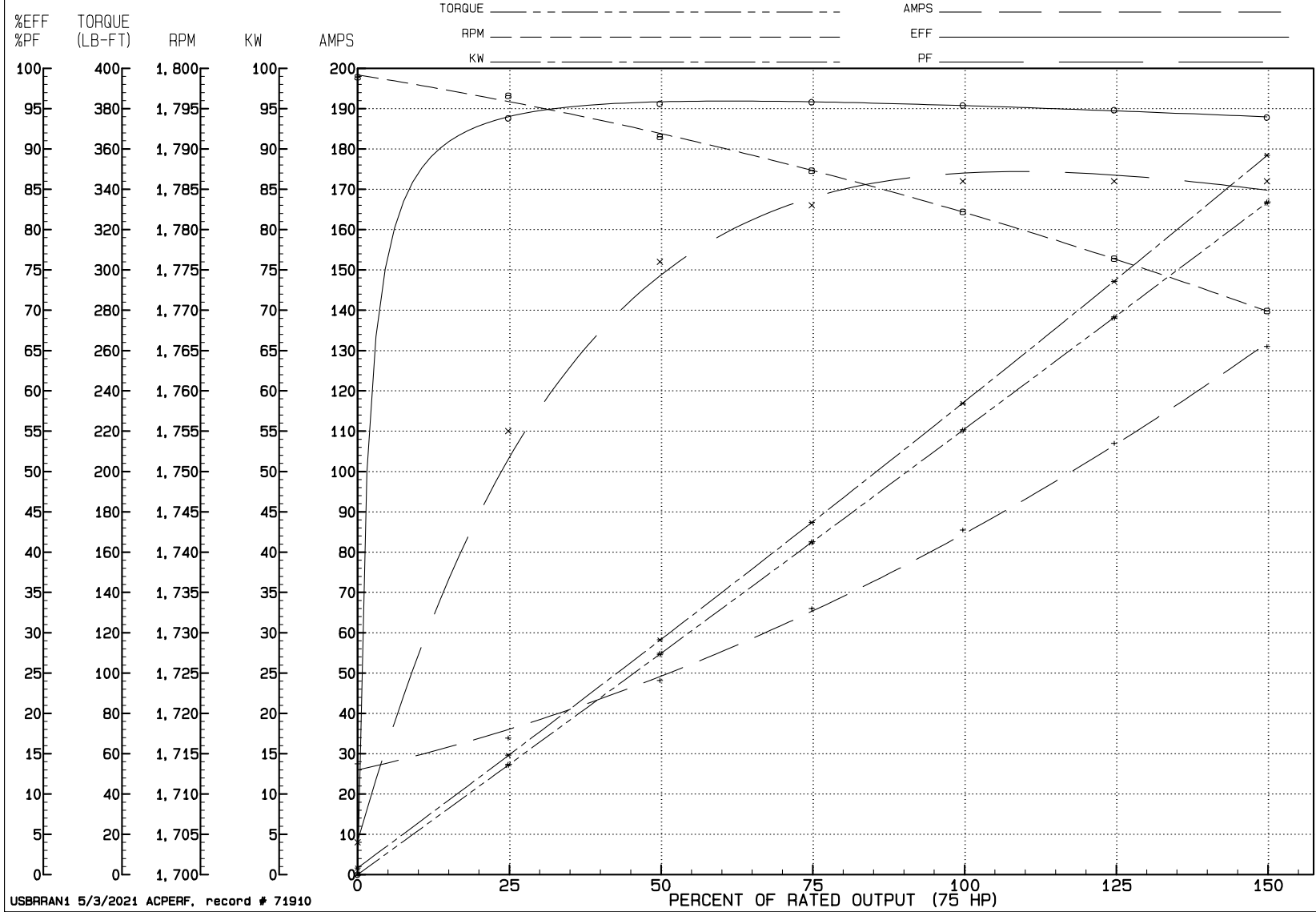
% of Rated Load	NL	25	50	75	100	125	150	SF
Power Factor	4	55	76	83	86	86	86	86
Efficiency	0	93.8	95.6	95.8	95.4	94.8	93.9	95
Speed	1798.9	1796.6	1791.5	1787.3	1782.2	1776.4	1769.9	1779
Line amperes	27.5	33.9	48.2	66	85.5	107	131	98.4

REVIEW

WINDING # A36WG4076

75 HP 3 PH 60 HZ 1780 RPM 460 V A3670M

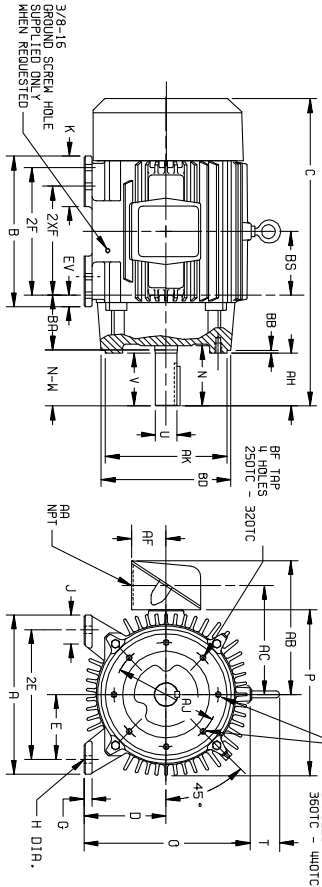
TORQUES (LB-FT): P0=618.00 PU=341.00 LR=434.00 LRA=545.00



USBRRAN1 5/3/2021 ACPERF, record # 71910

DUTY MASTER ALTERNATING CURRENT MOTORS

ENCLOSURE: TOTALLY ENCLOSED
 SQUIREL-CAGE INDUCTION
 COOLING: FAN COOLED
 CAST IRON CONSTRUCTION
 MOUNTING: FOOT, NEMA "C" FACE
 FRAMES 250TC THRU 440TC



DIMENSIONS ARE IN INCHES; SEE SHEET 2 FOR DIMENSIONS IN MILLIMETERS

FRAME	A	D(2)	E	G	H	J	K	EV	O	P	T	AA	AB	AC	AF	BA	BB	BD	BF	MIN. DEPTH	AJ	AK
254TC-256TC	12.50	6.25	5.00	.75	1.56	2.50	---	1.00	13.25	13.25	2.44	1-1/4	10.81	8.81	2.50	4.75	2.51	9.00	1/2-13	.75	1.25	8.50
264TC-266TC	13.75	7.00	5.50	.75	1.69	2.50	---	1.00	14.75	14.88	2.44	1-1/2	12.62	10.19	3.00	4.75	2.51	11.28	1/2-13	.75	1.25	8.50
324TC-326TC	15.50	8.00	6.25	.88	1.69	2.75	4.50	1.38	16.69	17.00	2.44	2	15.44	11.69	3.62	5.25	2.51	13.12	5/8-11	.94	1.00	12.50
364TC-366TC	17.00	9.00	7.00	.88	1.69	2.75	3.88	1.38	18.50	19.50	2.94	3	18.00	13.81	4.12	5.88	2.51	13.00	5/8-11	.94	1.00	12.50
404TC-406TC	19.00	10.00	8.00	1.12	.81	3.25	4.62	1.13	21.31	22.50	2.94	3	19.25	15.06	4.12	6.62	2.51	13.12	5/8-11	.94	1.00	12.50
444TC-446TC	21.00	11.00	9.00	1.12	.81	3.25	5.25	1.25	23.38	25.25	3.25	3	22.19	17.44	6.00	7.50	2.51	16.75	5/8-11	.94	1.00	16.00

FRAME	SIZE	C	BS	B	ZF	(4) ZF	N	AH	N-(W/2)	U(3)	V	SA	LGTH	WEIGHT
254TC	25.06	5.00	12.00	---	8.25	4.06	3.75	4.00	1.625	3.75	3.75	2.88	3.45	3.45
264TC	25.06	5.00	12.00	---	9.50	5.00	4.38	4.00	1.625	3.75	3.75	2.88	3.55	4.85
264TC	27.44	5.50	13.00	---	9.50	3.62	3.00	3.25	1.625	3.00	3.75	1.68	4.85	5.00
264TC	27.44	5.50	13.00	---	5.00	4.38	4.62	1.875	4.38	5.00	3.75	1.68	5.00	3.25
266TC	26.06	5.50	13.00	---	10.50	5.62	5.00	5.25	2.125	5.00	5.00	3.88	6.05	3.88
266TC	30.44	6.00	14.75	---	10.50	4.12	3.50	3.75	1.875	3.50	5.00	2.00	6.05	3.88
324TC	28.94	6.00	14.75	---	12.00	5.62	5.00	5.25	2.125	5.00	5.00	3.88	6.45	6.45
324TC	28.94	6.00	14.75	---	11.25	6.25	5.62	5.88	2.375	5.62	5.50	2.00	6.45	6.45
364TC	31.31	6.12	15.00	---	11.25	4.12	3.50	3.75	1.875	3.50	5.00	2.00	8.74	8.74
364TC	33.44	6.12	15.00	---	12.25	4.12	3.50	3.75	1.875	3.50	5.00	2.00	8.99	8.99
366TC	31.31	6.12	15.00	---	12.25	7.50	7.00	7.25	2.875	7.00	7.50	5.62	12.65	12.65
404TC	38.31	6.88	16.00	---	12.25	4.50	4.00	4.25	2.125	4.00	5.00	2.75	12.96	12.96
404TC	38.31	6.88	16.00	---	7.50	7.00	7.25	2.875	7.00	7.50	5.62	13.05	13.05	
406TC	35.31	6.88	16.00	---	14.50	8.94	8.25	8.50	3.375	8.25	8.75	6.88	17.38	17.38
444TC	44.62	8.25	19.00	---	14.50	5.19	4.50	4.75	2.375	4.50	6.25	3.00	17.22	17.22
446TC	44.62	8.25	19.00	---	8.94	8.25	8.25	8.25	3.375	8.25	8.75	6.88	19.28	19.28
446TC	40.88	8.25	19.00	---	5.19	4.50	4.50	4.75	2.375	4.50	6.25	3.00	19.12	19.12

- SPECIAL DIMENSIONS APPLYING TO THIS ORDER ON THIS LINE.
 - "D" VARIES [250TC - 320TC +.00, -.03] [360TC - 440TC +.00, -.06].
 - "U" VARIES [HP TO 1.625 DIA. +.000, -.005] [HP TO 1.625 DIA. +.000, -.001].
 - ALL FRAMES HAVE EIGHT MOUNTING HOLES FOR DUAL MOUNTING.
 - MOTOR WEIGHTS MAY VARY BY 1% DEPENDING UPON RATING.
 - "AK" VARIES [250TC - 280TC +.000, -.003] [320TC - 440TC +.000, -.005].
 - "N-W" VARIES +.00, -.25.
- CONDUIT BOX LOCATED ON OPPOSITE SIDE WHEN F-2W-1, W-4W-5W-7, OR C-1 MOUNTING IS SPECIFIED.
 IF MOUNTING CLEARANCE DETAILS ARE REQUIRED, CONSULT FACTORY.
 MAXIMUM PERMISSIBLE SHAFT RUNOUT WHEN MEASURED AT END OF STD. SHAFT EXTENSION IS .002 T.I.R. UP TO AND INCLUDING 1.625 DIA. AND .003 T.I.R. 1.625 DIA. TO 5 INCH DIA.
 FACE RUNOUT AND [250TC - 280TC INCL. .004 MAX. T.I.R. ECCENTRICITY] [320TC - 440TC INCL. .007 MAX. T.I.R.]

FRAME _____ TYPE _____ CERTIFIED FOR _____ RPM _____ PH _____ HZ _____ VOLTS _____
 ORDER _____ ITEM _____ HP _____ APPROVED BY _____ DATE _____
 SALES ORDER _____

LHS-305-047.119



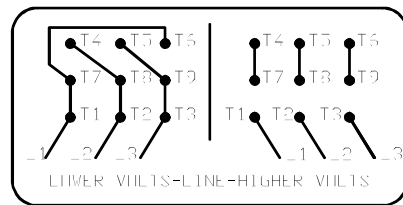
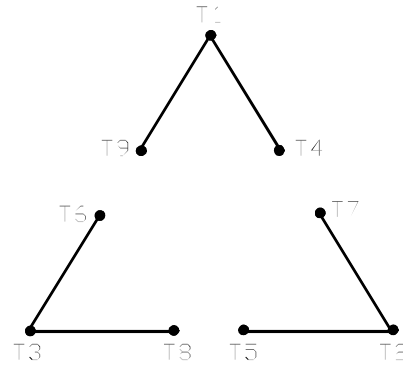
DIM SHT 250TC-440TC TEFC FT MTG C FACE T & TS SGL EXT XT

CUSTOMER IS RESPONSIBLE FOR DETERMINING THAT MOTOR PERFORMANCE IS SUITABLE IN THE APPLICATION.

REV. DESC: REMOVING TITLEBLOCK	VERSION: 01	TDR: 00000448517
REV. LTR: A	REVISED: 14:21:04 11/07/2007	BY: CONBPM
FILE: \RAG\00004\530		
MTL: -		

416820-002

A-C MOTOR
 CONNECTION DIAGRAM
 STANDARD 9 LEAD DELTA-CONNECTED



(N.P. 1575-B)

416820-002

REV. DESC: FONT CHANGE FOR PDF SEARCHABLE		
REV. LTR: A	VERSION: 01	TDR: 000001009382
FILE: \MGA\00000\661	REVISED: 02:46:19 02/13/2020	BY: MGHMTT
MTL: -	© □	

BALDOR - RELIANCE®

CONN DIAG - STANDARD 9 LEAD, DELTA-CONNECTED

SH 1 of 1