

BALDOR • RELIANCE

Customer information packet

CECP4407T-4

200HP, 1785RPM, 3PH, 60HZ, 447TC, TEFC, F1

Class - CLI GP A,B,C,D

Division - Division II

Specifications

Enclosure	TEFC
Frame	447TC
Frame Material	Iron
Frequency	60.00 Hz
Haz Area Class and Group	CLI GP A,B,C,D
Haz Area Division	Division II
Motor Letter Type	Three Phase
Output @ Frequency	200.000 HP @ 60 HZ
Phase	3
Synchronous Speed @ Frequency	1800 RPM @ 60 HZ
Voltage @ Frequency	460.0 V @ 60 HZ
Agency Approvals	CCSAUSEEV
Ambient Temperature	40 °C
Auxillary Box	No Auxillary Box
Base Indicator	Rigid
Bearing Grease Type	Polyrex EM (-20F +300F)
Constant Torque Speed Range	30-60
Current @ Voltage	222.000 A @ 460.0 V
Design Code	B
Drip Cover	No Drip Cover
Duty Rating	CONT
Efficiency @ 100% Load	96.2 %
Feedback Device	NO FEEDBACK
Haz Area Temp Code	T3
Heater Indicator	No Heater
High Voltage Full Load Amps	222.0 a
Insulation Class	F
Inverter Code	Inverter Ready
KVA Code	G
Lifting Lugs	Standard Lifting Lugs
Motor Lead Quantity/Wire Size	6 @ 1/0 AWG
Motor Standards	NEMA

Part detail

Revision	R
Type	AC
Mech. spec.	
Base	
Status	PRD/A
Elec. spec.	A44WG0690
Layout	617427-014
Eff. date	10-24-2024
CD Diagram	416820-036
Poles	04
Leads	3#1/0 (02 per group) Y
Proprietary	False
Created date	02-08-2014

Motor Type	A44120M
Mounting Arrangement	F1
Number of Poles	4
Overall Length	48.24 IN
Power Factor	87
Product Family	General Industrial
Pulley End Bearing Type	Ball
Pulley Face Code	C-Face
Service Factor	1.15
Shaft Diameter	3.375 IN
Shaft Ground Indicator	No Shaft Grounding
Shaft Rotation	Reversible
Shaft Slinger Indicator	No Slinger
Speed	1785 rpm
Speed Code	Single Speed
Starting Method	Direct on line
Thermal Device - Bearing	None
Thermal Device - Winding	None

Nameplate

NP2496L
EXXON POLYREX EM

NP3238

CAT NO	CECP4407T-4	SPEC NO.	A44-5431-2876						
HP	200	AMPS	222	VOLTS	460	DESIGN	B		
FRAME	447TC	RPM	1785	HZ	60	AMB	40	SF	1.15
D.E. BRG.DATA	6318	O.D.E. BRG.DATA	6318	PH	3	DUTY	CONT	INSUL.CLASS	F
D.E. BRG.	90BC03J30X	TYPE	P	ENCL	TEFC	CODE	G		
O.D.E. BRG.	90BC03J30X	POWER FACTOR	87	NEMA NOM EFFICIENCY	96.2				
3/4 LOAD EFF.	96.5	MAX CORR KVAR	32.0	GUARANTEED EFFICIENCY	95.4				
TEMP CODE	T3	TEMP =	200						
CHP HZ	60-90	CT HZ	30-60	VT HZ	0-60				
INVERTER-TEMP-CODE	T3								
SER.NO.		MOTOR WEIGHT							

Parts list

Part number	Description	Quantity
SA276036	SA A44-5431-2876	1.000 ea
RA262602	RA A44-5431-2876	1.000 ea
421948051	LABEL, MYLAR	1.000 ea
NP2496L	MOTOR LUBE NAMEPLATE	1.000 ea
000613006PU	N/P (RELEASE QTY 10,000) UL CSA LABEL	1.000 ea
000692000FF	N/P	1.000 ea
000692000VD	LABEL WARNING	1.000 ea
089490099A	G28 BRKT 089490098WCA KB	1.000 ea
415072001B	CLAMP	1.000 ea
083199082A	G28 FAN COVER MACHINING SHORT VERSION	1.000 ea
034180014DA	KEY 1/4X1/4X1-3/4 L	1.000 ea
078548001R	FAN KB 234/150 (84) 400	1.000 ea
032018020FK	HHCS 3/4-10X2-1/2 PLTD.	4.000 ea
032018008CK	HHCS 3/8-16X1L PLATED	4.000 ea
032018030DK	HHCS 1/2-13X3-3/4 PLTD.	3.000 ea
415096002A	CPLG 1/8 HEX TYPE	1.000 ea
410700004A	WSHR	1.000 ea
034017014AB	LCKW 3/8 STD. PLATED	4.000 ea
034690005AB	PPLG 3/4 PLATED	2.000 ea
034690002AB	PPLG 1/4" PLTD.	1.000 ea
412118006A	DRAIN	2.000 ea
415045002A	SLGR	1.000 ea
418151014G	RETAIN RING	1.000 ea
034690002AB	PPLG 1/4" PLTD.	1.000 ea
702623013A	THERMAL BARRIER -- G28 -- BRACKET MTD	1.000 ea
032018004BK	HHCS 5/16-18X1/2 PLATED	3.000 ea
034017013AB	LCKW 5/16 STD. PLATED	3.000 ea
089490106A	G28 C-FACE BRKT MACH-6318 089490105WCA	1.000 ea
032018024FK	HHCS 3/4-10X3 PLTD.	5.000 ea
415915007G	GASK, LAC	1.000 ft
032018032DK	HHCS 1/2-13X4L PLATED	3.000 ea

415045002A	SLGR	1.000 ea
076870000BA	CONDUIT BOX - 440 - 1/2-13 GROUND	1.000 ea
076871000A	+CBOX CVR BLKT - 449	1.000 ea
406056007A	GASKET, 440	1.000 ea
067053014A	GASK 440	1.000 ea
032018008DK	HHCS 1/2-13X1 PLATED	4.000 ea
032620016LA	SOCKET SET SCREW-449	3.000 ea
415000115H	T/LUG #2AWG-4/0AWG	1.000 ea
032018008BK	HHCS 5/16-18X1L PLATED	4.000 ea
406099000A	PLUG - FAN COVER 320-440	1.000 ea
032018005DL	1/2-13 X 5/8 SILICON BRONZE HHCS	1.000 ea
406055001C	GRFTG - XP	1.000 ea
MG1025N19	WILKO 778.50 BLUE GREEN - 55 GAL DRUMS	0.500 ga
033775004EA	DRSCR #6-1/4 304 S.S.	2.000 ea
034180054KA	7/8 SQ X 6.75 KEY	1.000 ea
604797056	400-447 FRAME 60 X 42	1.000 ea
032510026D	CARRIAGE BOLT - 440	2.000 ea
034001016AB	WSHR .562ID 1.375OD .109	2.000 ea
034001014AB	FLAT WASHER 3/8"PLATED	2.000 ea
033300014AC	HEX NUT, SHIPPING - 400	2.000 ea
604799003C	PLASTIC BAG 42X32X46	1.000 ea
NP3238	SS CP XEX SEVERE DUTY MAIN NP,CURUS EEV	1.000 ea
LB1449	DIV-2/NEC WARNING LABEL	1.000 ea
418150003A	GREASE FITTING CAP	1.000 ea
035000001A	ALFTG 1/8" 1610-BL	1.000 ea
035000001A	ALFTG 1/8" 1610-BL	1.000 ea
034530064BB	P/NIP 1/4X8 PLATED	1.000 ea
034530064AB	P/NIP 1/8 X 8" L Pipe Nipple	1.000 ea
034630002AB	CPLG 1/4" PLATED	1.000 ea
418150003A	GREASE FITTING CAP	1.000 ea

DUTY MASTER ALTERNATING CURRENT MOTORS

SQUIRREL-CAGE INDUCTION

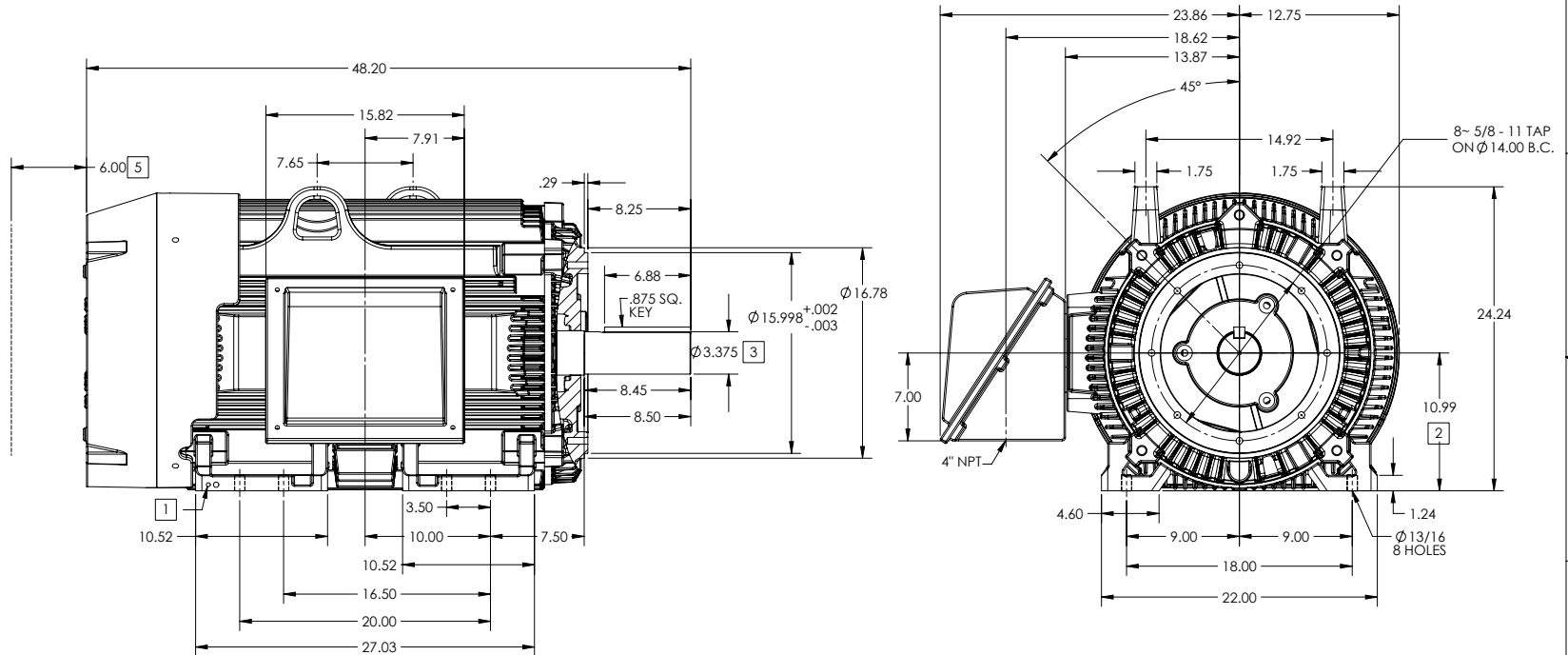
ENCLOSURE: TOTALLY ENCLOSED

FRAME G447TC ABOVE NEMA RATINGS

COOLING: FAN COOLED

MOUNTING: FOOT, NEMA "C" FACE

INCLUDES 445TC FRAME MOUNTING HOLES



- 1. GROUND HOLES QTY 1 1/2-13 TAP; QTY 1 3/8-16 TAP
- 2. VARIES +.00, -.06
- 3. VARIES +.000, -.001
- 4. MOTOR WEIGHTS MAY VARY BY 15% DEPENDING ON RATING.
- 5. OBSTRUCTION MUST NO ENCCROACH ON AIR INLET.

FACE RUNOUT AND ECCENTRICITY = .007 T.I.R. MAX

[4] WEIGHT (LBS): 2515

CONDUIT BOX LOCATED ON OPPOSITE SIDE WHEN F-2.
 IF MOUNTING CLEARANCE DETAILS ARE REQUIRED, CONSULT FACTORY.
 MAXIMUM PERMISSIBLE SHAFT RUNOUT WHEN MEASURED AT END OF
 STANDARD SHAFT EXTENSION IS .003" T.I.R. TO 5 INCH DIA.

DIMENSIONS ARE IN INCHES

CUSTOMER IS RESPONSIBLE FOR DETERMINING THAT MOTOR PERFORMANCE IS SUITABLE IN THE APPLICATION.

SHEET NUMBER
1 OF 1

F107-27219

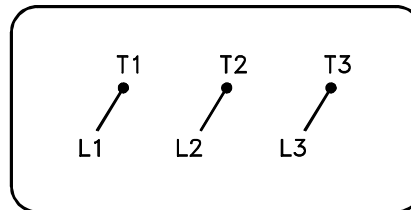
REV. DESC: ADD AK TOL. & NOTE FOR FACE RUNOUT / ECCENTRICITY			
REV: D	VERSION: 04	REVISED: 02-30-26 04/20/2021	TDR: 000001166213
MODEL NO. 617427-014		REF:	
BY: RAGGDM	Material:	C	

BALDOR

G447TC-445TC STD - FOOTED - SIDE-CENTER C/B

416820-036

A-C MOTOR
CONNECTION DIAGRAM
STANDARD 3 LEAD CONNECTED



(N.P. 1575-BA)

416820-036

REV. DESC: LOADED TO BUS, C/R 335225		
REV. LTR: -	VERSION: 00	TDR: 000000538207
FILE: \MGA\00000\682	REVISED: 11:54:06 04/30/2010	
MTL: -	BY: RAGRA	

BALDOR

CONN DIAG - STANDARD 3 LEAD
SH 1 of 1