

BALDOR • RELIANCE

Customer information packet

CECP84310T-4

60HP, 3560RPM, 3PH, 60HZ, 364TSC, A36056M, TEF

Class - CLI GP A,B,C,D

Division - Division II

Specifications

Enclosure	TEFC
Frame	364TSC
Frame Material	Iron
Frequency	60.00 Hz
Haz Area Class and Group	CLI GP A,B,C,D
Haz Area Division	Division II
Motor Letter Type	Three Phase
Output @ Frequency	60.000 HP @ 60 HZ
Phase	3
Synchronous Speed @ Frequency	3600 RPM @ 60 HZ
Voltage @ Frequency	460.0 V @ 60 HZ
Agency Approvals	CCSAUSEEV NEMA PREMIUM NEMA_PREMIUM UR CCSA US
Ambient Temperature	40 °C
Auxillary Box	No Auxillary Box
Base Indicator	Rigid
Bearing Grease Type	Polyrex EM (-20F +300F)
Constant Torque Speed Range	0.7-60
Current @ Voltage	65.100 A @ 460.0 V
Design Code	B
Drip Cover	No Drip Cover
Duty Rating	CONT
Efficiency @ 100% Load	95.0 %
Enclosure Modification	841
Feedback Device	NO FEEDBACK
Haz Area Temp Code	T3
Heater Indicator	No Heater
High Voltage Full Load Amps	65.1 a
Insulation Class	F

Part detail

Revision	K
Type	AC
Mech. spec.	
Base	
Status	PRD/A
Elec. spec.	A36WG0116
Layout	617428-621
Eff. date	02-20-2023
CD Diagram	416820-036
Poles	02
Leads	3#4
Proprietary	False
Created date	01-03-2019

Inverter Code	Inverter Duty
IP Rating	IP56
KVA Code	F
Lifting Lugs	No Lifting Lugs
Max Speed	4500 rpm
Motor Lead Quantity/Wire Size	3 @ 4 AWG
Motor Standards	NEMA
Motor Type	A36056M
Mounting Arrangement	F1
No Load Current	14.1 a
Number of Poles	2
Overall Length	31.36 IN
Power Factor	90
Pulley End Bearing Type	Ball
Pulley Face Code	C-Face
Service Factor	1.15
Shaft Diameter	1.875 IN
Shaft Ground Indicator	No Shaft Grounding
Shaft Rotation	Phase Seq-Std Rot (CCWODE)
Shaft Slinger Indicator	No Slinger
Speed	3560 rpm
Speed Code	Single Speed
Starting Method	Direct on line
Thermal Device - Bearing	None
Thermal Device - Winding	None

Nameplate

NP4388														
CAT #	CECP84310T-4					FR	364TSC			IP56				
SPEC	A36-5000-0116					ENCL	TEFC		DES	B				
HZ	60	PH	3	CL	F	HP	60	SF	1.15	PF	90	%	CODE	F
VOLTS	460					AMPS	65.1							
RPM	3560		MAX RPM	4500		SER								
NEMA NOM. EFF	95	%	RATING	40C AMB-CONT										
GUAR MIN. EFF	94.1	%	BRG DE	6313		BRG ODE	6313							
CL I DIV 2 GRPS A,B,C,D						CL I ZONE 2 GRPS			IIA,IIB,IIC	TEMP T	3-200		C	
CT HZ	0.7-60		VT HZ	0-60										
CHP HZ	60-75		INV TEMP CL	200		C								
									MTR WT	899		LBS		

NP4333

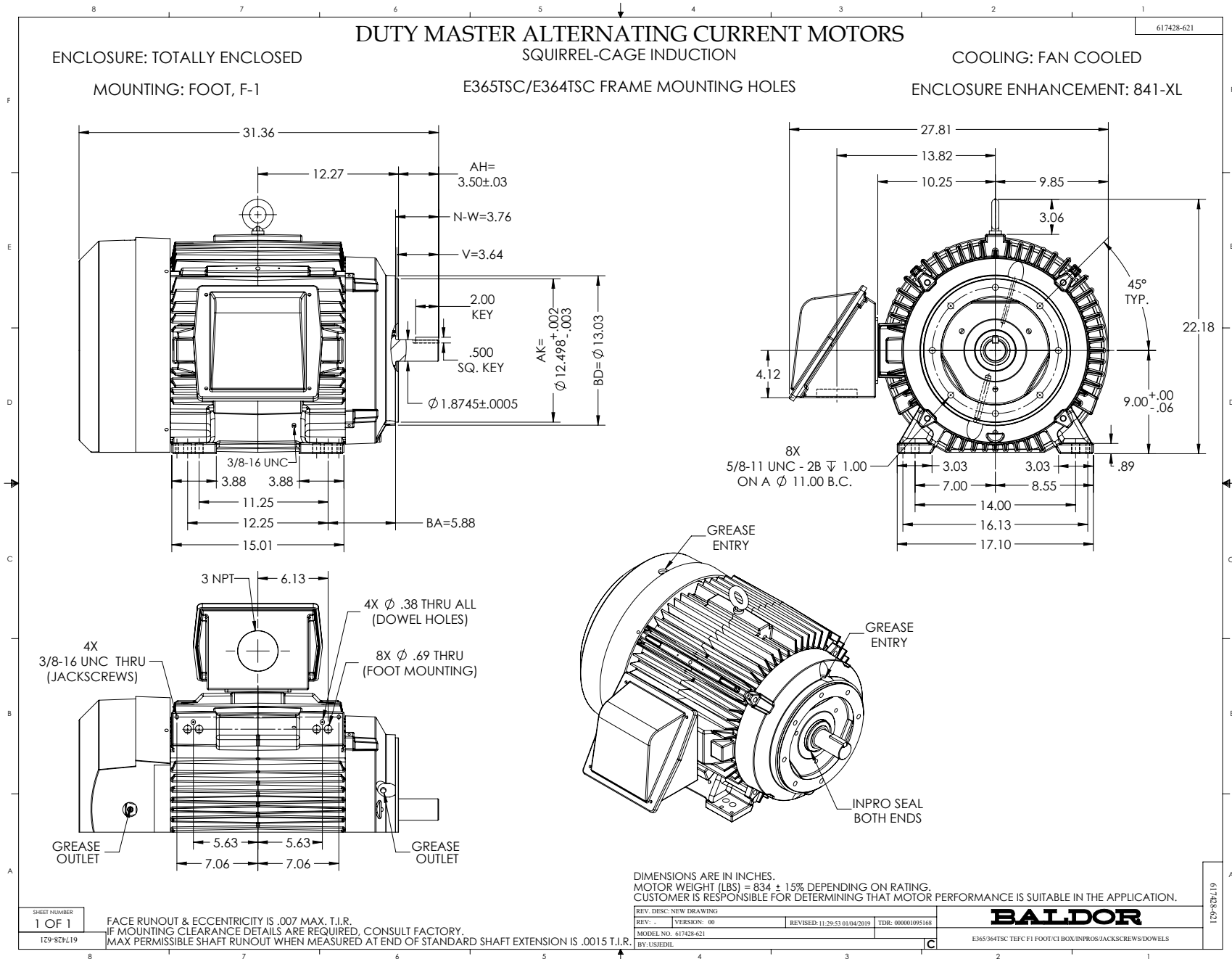
CAT #	CECP84310T-4	ROTOR BARS	38
SPEC	A36-5000-0116	STATOR SLOTS	48
SER		MAX CORR KVAR	5
GREASE	POLYREX EM		
ABMA DE BRG	65BC03J30X	ODE	65BC03J30X

SPACE HEATER LEADS H1-H2:	TIE LIKE NUMBERS	TOGETHER
MAX. SPACE HEATER TEMP.	C V	A W

Parts list

Part number	Description	Quantity
SA364598	SA A36-5000-0116	1.000 ea
RA353932	RA A36-5000-0116	1.000 ea
NP4388	SS SUPER E INVERTER DUTY IEEE 841 MAIN N	1.000 ea
NP4333	SS SUPER-E SD IEEE 841 CLI DIV2 UR CSA C	1.000 ea
000692000JP	N/P	1.000 ea
000692000VD	LABEL WARNING	1.000 ea
000692000VH	N/P (RELEASE 1000 PCS)	1.000 ea
004824015A	GREASE POLYREX EM	0.544 lb
032018008AK	HHCS 1/4-20X1 PLATED	4.000 ea
032018012DK	HHCS 1/2-13X1-1/2 PLTD. 032018012DR	4.000 ea
032018024CK	HHCS 3/8-16X3 PLTD.	3.000 ea
034180012DA	KEY 1X4X1/4X1-1/2 L	1.000 ea
034530032BB	P/NIP 1/4X4" SCHED 40	1.000 ea
034530052AB	P/NIP 1/8X6-1/2 Zinc	1.000 ea
034600001AA	BUSH 1/4TO1/8 BLACK	1.000 ea
034630002AB	CPLG 1/4" PLATED	1.000 ea
035000001G	GREASE RELIEF FITTING, ALEMITE 317400	1.000 ea
078559034A	+F/C A 078559001A - 360	1.000 ea
085922083BH	BRKT 360 085922072WCC KB	1.000 ea
410700004F	WSHR	1.000 ea
412118006A	DRAIN	1.000 ea
415028079E	INPRO SEAL,,625 WIDE,313 BRG	1.000 ea
415028079E	INPRO SEAL,,625 WIDE,313 BRG	1.000 ea
415072001B	CLAMP	1.000 ea
415096002A	CPLG 1/8 HEX TYPE	1.000 ea
423709011C	WASHER	3.000 ea
702674001C	FAN 360	1.000 ea
032018012DK	HHCS 1/2-13X1-1/2 PLTD. 032018012DR	4.000 ea
032018024CK	HHCS 3/8-16X3 PLTD.	3.000 ea
034600001AA	BUSH 1/4TO1/8 BLACK	1.000 ea
035000001G	GREASE RELIEF FITTING, ALEMITE 317400	1.000 ea

085922070HA	E360 C FACE BRKT 6313 TEFC-4.64"-INPRO	1.000 ea
412118006A	DRAIN	1.000 ea
423709011C	WASHER	3.000 ea
032018010CK	HHCS 3/8-16X1-1/4 PLTD. 032018010CR	4.000 ea
033512008LB	HHTTS 1/4-20X1 PLATED	4.000 ea
034000014AB	WSH ID.406 OD.812 TH.065	4.000 ea
035000001A	ALFTG 1/8" 1610-BL	1.000 ea
035000001A	ALFTG 1/8" 1610-BL	1.000 ea
067053000B	GASK 320-400	1.000 ea
076708000BB	CONDUIT BOX-360	1.000 ea
076709000A	C/B Cover - 360	1.000 ea
406099000A	PLUG - FAN COVER 320-440	1.000 ea
415000115H	T/LUG #2AWG-4/0AWG	1.000 ea
415039016A	TERBD, 360-400	1.000 ea
418150003A	GREASE FITTING CAP	1.000 ea
418150003A	GREASE FITTING CAP	1.000 ea
033775004EA	DRSCR #6-1/4 304 S.S.	4.000 ea
034180016GA	KEY 1/2X1/2X2 L	1.000 ea
MG1025N19	WILKO 778.50 BLUE GREEN - 55 GAL DRUMS	0.250 ga
004824003CBY	WILKO PAINT 060.02 - ACTIVATOR	0.063 ga
482403003BEF	RUST VETO 342	0.006 ga
MG1500G03-5	LACQUER PRIMER, GRAY	0.063 ga
421948051	LABEL, MYLAR	1.000 ea
LB1449	DIV-2/NEC WARNING LABEL	1.000 ea
032018005DL	1/2-13 X 5/8 SILICON BRONZE HHCS	1.000 ea
032509020C	CARRIAGE BOLT - 360	3.000 ea
14PA1000	PACKAGING 314 GROUP COMBINED PRINT	1.000 ea
HW1000A32	5/16 FL WASHER WIDE,ID=.344,OD=1.125	3.000 ea



416820-036

A-C MOTOR
CONNECTION DIAGRAM
STANDARD 3 LEAD CONNECTED



(N.P. 1575-BA)

416820-036

REV. DESC: LOADED TO BUS, C/R 335225		
REV. LTR: -	VERSION: 00	TDR: 000000538207
FILE: \MGA\00000\682	REVISED: 11:54:06 04/30/2010	
MTL: -	BY: RAGRA	

BALDOR

CONN DIAG - STANDARD 3 LEAD
SH 1 of 1