

**BALDOR • RELIANCE**

---

# Customer information packet

## CECP84312T-4

50HP, 1185RPM, 3PH, 60HZ, 365TC, A3668M, TEFC

Class - None

Division - Division II

Copyright © All product information within this document is subject to ABB Motors and Mechanical Inc. copyright © protection, unless otherwise noted.

11/24/2024 10:31:11 AM

## Specifications

Enclosure	TEFC
Frame	365TC
Frame Material	Iron
Frequency	60.00 Hz
Haz Area Class and Group	None
Haz Area Division	Division II
Motor Letter Type	Three Phase
Output @ Frequency	50.000 HP @ 60 HZ
Phase	3
Synchronous Speed @ Frequency	1200 RPM @ 60 HZ
Voltage @ Frequency	460.0 V @ 60 HZ
Agency Approvals	CCSAUSEEV NEMA PREMIUM NEMA_PREMIUM UR
Ambient Temperature	40 °C
Auxillary Box	No Auxillary Box
Base Indicator	Rigid
Bearing Grease Type	Polyrex EM (-20F +300F)
Constant Torque Speed Range	6-60
Current @ Voltage	62.000 A @ 460.0 V
Design Code	B
Drip Cover	No Drip Cover
Duty Rating	CONT
Efficiency @ 100% Load	94.1 %
Enclosure Modification	841
Feedback Device	NO FEEDBACK
Heater Indicator	No Heater
High Voltage Full Load Amps	62.0 a
Insulation Class	B
Inverter Code	Inverter Ready
KVA Code	G

## Part detail

Revision	C
Type	AC
Mech. spec.	
Base	
Status	PRD/A
Elec. spec.	A36WG4275
Layout	617428-620
Eff. date	07-05-2023
CD Diagram	416820-036
Poles	06
Leads	3#4 Y
Proprietary	False
Created date	05-30-2023

Lifting Lugs	Standard Lifting Lugs
Max Speed	1800 rpm
Motor Lead Quantity/Wire Size	3 @ 4 AWG
Motor Standards	NEMA
Motor Type	A3668M
Mounting Arrangement	F1
Number of Poles	6
Overall Length	33.48 IN
Power Factor	81
Product Family	General Industrial
Pulley End Bearing Type	Ball
Pulley Face Code	C-Face
Service Factor	1.15
Shaft Diameter	2.375 IN
Shaft Ground Indicator	No Shaft Grounding
Shaft Rotation	Reversible
Shaft Slinger Indicator	No Slinger
Speed	1185 rpm
Speed Code	Single Speed
Starting Method	Direct on line
Thermal Device - Bearing	None
Thermal Device - Winding	None

**Nameplate**

NP4333					
<b>CAT #</b>	CECP84312T-4	<b>ROTOR BARS</b>	55		
<b>SPEC</b>	A36-9122-4275	<b>STATOR SLOTS</b>	72		
<b>SER</b>		<b>MAX CORR KVAR</b>	15.8		
<b>GREASE</b>	POLYREX EM				
<b>ABMA DE BRG</b>	65BC03J30X	<b>ODE</b>	65BC03J30X		
	SFA 71				
<b>SPACE HEATER LEADS H1-H2:</b>	<b>TIE LIKE NUMBERS</b>	<b>TOGETHER</b>			
<b>MAX. SPACE HEATER TEMP.</b>	C	V	A	W	

**NP4388**

<b>CAT #</b>	CECP84312T-4	<b>FR</b>	365TC	<b>IP56</b>	
<b>SPEC</b>	A36-9122-4275	<b>ENCL</b>	TEFC	<b>DES</b>	B
<b>HZ</b>	60	<b>PH</b>	3	<b>CL</b>	B
		<b>HP</b>	50	<b>SF</b>	1.15
				<b>PF</b>	81 %
<b>VOLTS</b>	460	<b>AMPS</b>	62	<b>CODE</b>	G
<b>RPM</b>	1185	<b>MAX RPM</b>	1800	<b>SER</b>	
<b>NEMA NOM. EFF</b>	94.1 %	<b>RATING</b>	40C AMB-CONT		
<b>GUAR MIN. EFF</b>	93 %	<b>BRG DE</b>	6313	<b>BRG ODE</b>	6313
<b>CL I DIV 2 GRPS A,B,C,D</b>		<b>CL I ZONE 2 GRPS</b>		<b>IIA,IIB,IIC</b>	
				<b>TEMP T</b>	3-200 C
<b>CT HZ</b>	6-60	<b>VT HZ</b>	0-60		
<b>CHP HZ</b>	60-90	<b>INV TEMP CL</b>	200	<b>C</b>	
	SFA 71	<b>MTR WT</b>	925	<b>LBS</b>	

## Parts list

Part number	Description	Quantity
SA414674	SA A36-9122-4275	1.000 ea
RA406435	RA A36-9122-4275	1.000 ea
421948051	LABEL, MYLAR	1.000 ea
NP4333	SS SUPER-E SD IEEE 841 CLI DIV2 UR CSA C	1.000 ea
NP4388	SS SUPER E INVERTER DUTY IEEE 841 MAIN N	1.000 ea
085922083BH	BRKT 360 085922072WCC KB	1.000 ea
415072001B	CLAMP	1.000 ea
078559034A	+F/C A 078559001A - 360	1.000 ea
034180012DA	KEY 1X4X1/4X1-1/2 L	1.000 ea
412118006A	DRAIN	1.000 ea
702676001C	FAN 360	1.000 ea
004824015A	GREASE POLYREX EM	0.540 lb
032018012DK	HHCS 1/2-13X1-1/2 PLTD. 032018012DR	4.000 ea
032018008AK	HHCS 1/4-20X1 PLATED	4.000 ea
032018024CK	HHCS 3/8-16X3 PLTD.	3.000 ea
415096002A	CPLG 1/8 HEX TYPE	1.000 ea
410700004F	WSHR	1.000 ea
423709011C	WASHER	3.000 ea
035000001G	GREASE RELIEF FITTING, ALEMITE 317400	1.000 ea
034530052AB	P/NIP 1/8X6-1/2 Zinc	1.000 ea
034530032BB	P/NIP 1/4X4" SCHED 40	1.000 ea
034630002AB	CPLG 1/4" PLATED	1.000 ea
415028079E	INPRO SEAL,,625 WIDE,313 BRG	1.000 ea
034600001AA	BUSH 1/4TO1/8 BLACK	1.000 ea
034600001AA	BUSH 1/4TO1/8 BLACK	1.000 ea
085922070HA	E360 C FACE BRKT 6313 TEFC-4.64"-INPRO	1.000 ea
032018012DK	HHCS 1/2-13X1-1/2 PLTD. 032018012DR	4.000 ea
032018024CK	HHCS 3/8-16X3 PLTD.	3.000 ea
412118006A	DRAIN	1.000 ea
423709011C	WASHER	3.000 ea
415028079E	INPRO SEAL,,625 WIDE,313 BRG	1.000 ea

035000001G	GREASE RELIEF FITTING, ALEMITE 317400	1.000 ea
076708000BB	CONDUIT BOX-360	1.000 ea
415039016A	TERBD, 360-400	1.000 ea
076709000A	C/B Cover - 360	1.000 ea
067053000B	GASK 320-400	1.000 ea
418150003A	GREASE FITTING CAP	1.000 ea
032018010CK	HHCS 3/8-16X1-1/4 PLTD. 032018010CR	4.000 ea
035000001A	ALFTG 1/8" 1610-BL	1.000 ea
415000115H	T/LUG #2AWG-4/0AWG	1.000 ea
033512008LB	HHTTS 1/4-20X1 PLATED	4.000 ea
406099000A	PLUG - FAN COVER 320-440	1.000 ea
034000014AB	WSH ID.406 OD.812 TH.065	4.000 ea
035000001A	ALFTG 1/8" 1610-BL	1.000 ea
418150003A	GREASE FITTING CAP	1.000 ea
MG1025N19	WILKO 778.50 BLUE GREEN - 55 GAL DRUMS	0.250 ga
033775004EA	DRSCR #6-1/4 304 S.S.	4.000 ea
034180034HA	KEY 5/8X5/8X4-1/4 L	1.000 ea
HW1000A32	5/16 FL WASHER WIDE,ID=.344,OD=1.125	3.000 ea
032509020C	CARRIAGE BOLT - 360	3.000 ea
LB1449	DIV-2/NEC WARNING LABEL	1.000 ea
14PA1000	PACKAGING 314 GROUP COMBINED PRINT	1.000 ea
032018005DL	1/2-13 X 5/8 SILICON BRONZE HHCS	1.000 ea
000692000VD	LABEL WARNING	1.000 ea
000692000JP	N/P	1.000 ea
000692000VH	N/P (RELEASE 1000 PCS)	1.000 ea

**AC induction motor performance data**

Record #100306 - Typical performance - not guaranteed values

Winding	A36WG4275
Type	A3668M
Enclosure	TEFC

## Nameplate data

Rated Output			50
Volts			460
Full Load Amps			62
R.P.M.			1185
Hz	60	Phase	3
KVA Code			G
S.F.			1.15
NEMA Nom. Eff.	94.1	Power Factor	81
Duty			CONT
S.F. Amps			

460 V, 60 Hz:  
Single Voltage Motor

Full Load Torque	223 LB-FT
Start Configuration	direct on line
Breakdown Torque	540 LB-FT
Pull-up Torque	319 LB-FT
Locked-rotor Torque	394 LB-FT
Starting Current	366 A
No-load Current	22
Line-line Res. @ 25°C	0.127 $\Omega$
Temp. Rise @ Rated Load	64°C
Temp. Rise @ S.F. Load	78°C
Locked-rotor Power Factor	28
Rotor inertia	22 lb-ft <sup>2</sup>

## Load Characteristics 460 V, 60 Hz, 50 HP

% of Rated Load	NL	25	50	75	100	125	150	SF
Power Factor	5	49	69	78	81	82	81	82
Efficiency	0	91	94	94	94	93	92	93.4
Speed	1199	1196	1193	1189	1185	1180	1175	1182
Line amperes	22	26.8	36.3	48.2	61.9	76.9	93.6	70.9

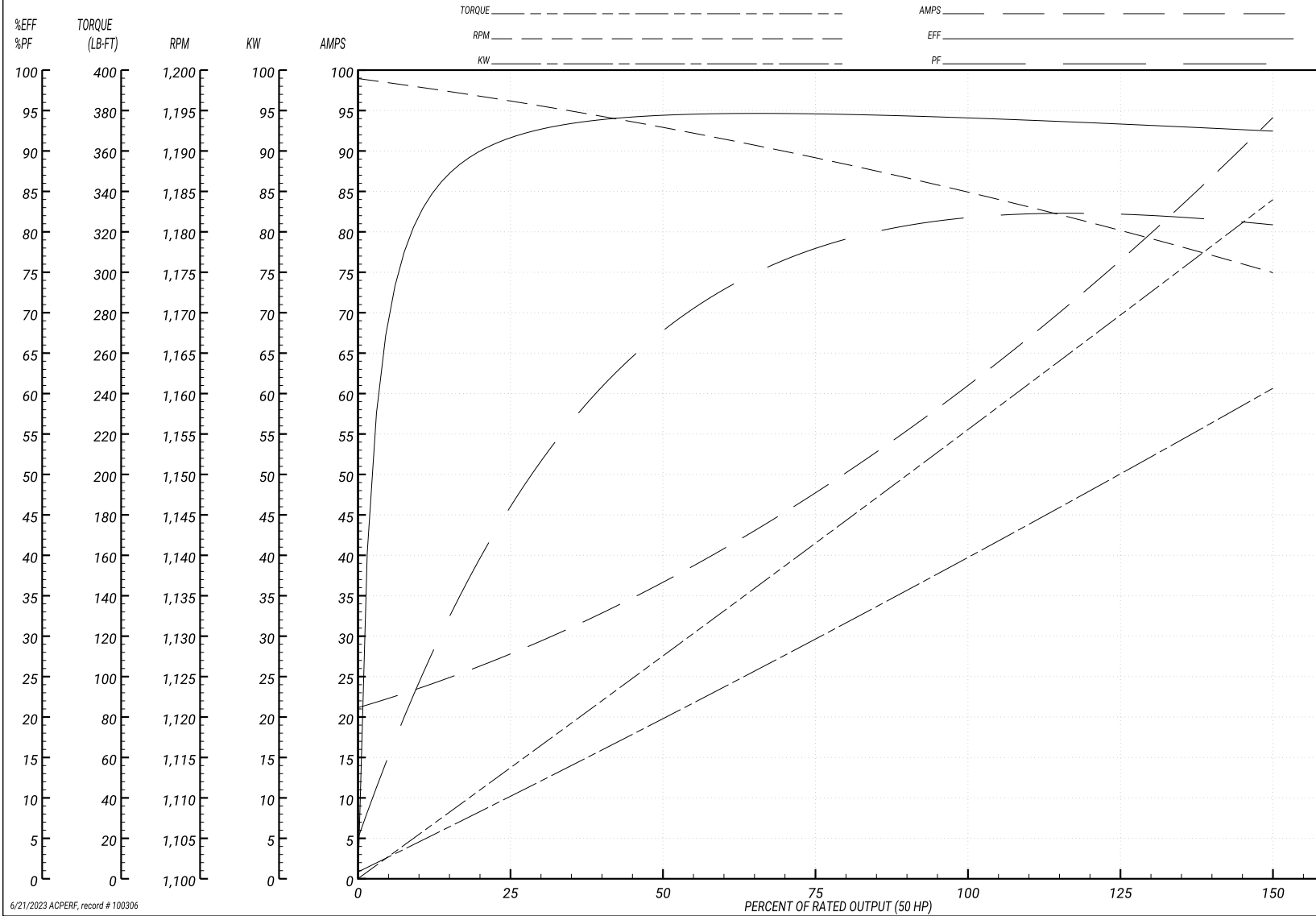


ABB Motors and Mechanical Inc.

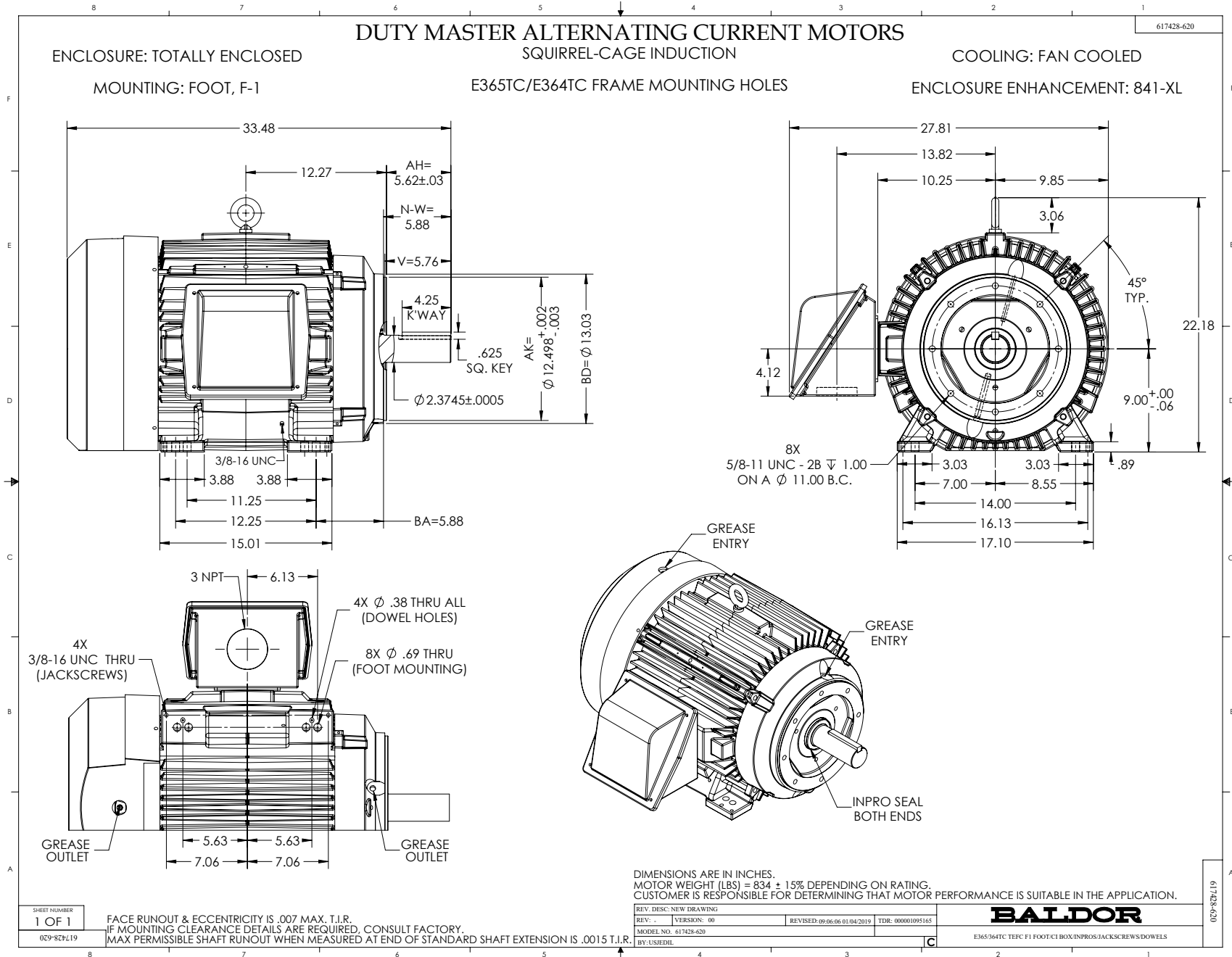
WINDING # A36WG4275

Typical performance - not guaranteed values.

50 HP 3 PH 60 HZ 1185 RPM 460 V A3668M  
 TORQUES(LB-FT): PO=540 PU=319 LR=394 LRA=366



6/21/2023 ACPERF, record # 100306



416820-036

A-C MOTOR  
CONNECTION DIAGRAM  
STANDARD 3 LEAD CONNECTED



(N.P. 1575-BA)

416820-036

REV. DESC: LOADED TO BUS, C/R 335225		
REV. LTR: -	VERSION: 00	TDR: 000000538207
FILE: \MGA\00000\682	REVISED: 11: 54: 06 04/30/2010	
MTL: -	BY: RAGRA	

**BALDOR**

CONN DIAG - STANDARD 3 LEAD  
SH 1 of 1