



---

# Customer information packet

## CEM2334T-5

20HP, 1770RPM, 3PH, 60HZ, 256TC, 0960M, TEFC, F

Class - None

Division - Not Applicable

## Specifications

Enclosure	TEFC
Frame	256TC
Frame Material	Iron
Frequency	60.00 Hz
Haz Area Class and Group	None
Haz Area Division	Not Applicable
Motor Letter Type	Three Phase
Output @ Frequency	20.000 HP @ 60 HZ
Phase	3
Synchronous Speed @ Frequency	1800 RPM @ 60 HZ
Voltage @ Frequency	575.0 V @ 60 HZ
Agency Approvals	CSA EEV NEMA PREMIUM NEMA_PREMIUM UR
Ambient Temperature	40 °C
Auxillary Box	No Auxillary Box
Auxillary Box Lead Termination	None
Base Indicator	Rigid
Bearing Grease Type	Polyrex EM (-20F +300F)
Blower	None
Current @ Voltage	19.200 A @ 575.0 V
Design Code	A
Drip Cover	No Drip Cover
Duty Rating	CONT
Efficiency @ 100% Load	93.0 %
Electrically Isolated Bearing	Not Electrically Isolated
Feedback Device	NO FEEDBACK
Front Face Code	Standard
Front Shaft Indicator	None
Heater Indicator	No Heater
High Voltage Full Load Amps	19.2 a

## Part detail

Revision	T
Type	AC
Mech. spec.	09C102
Base	
Status	PRD/A
Elec. spec.	09WGT507
Layout	09LYC102
Eff. date	04-16-2024
CD Diagram	CD0006
Poles	04
Leads	3#10
Proprietary	False
Created date	11-17-2017

<b>Insulation Class</b>	F
<b>Inverter Code</b>	Inverter Ready
<b>KVA Code</b>	J
<b>Lifting Lugs</b>	Standard Lifting Lugs
<b>Locked Bearing Indicator</b>	Locked Bearing
<b>Motor Lead Exit</b>	Ko Box
<b>Motor Lead Quantity/Wire Size</b>	3 @ 10 AWG
<b>Motor Lead Termination</b>	Flying Leads
<b>Motor Standards</b>	NEMA
<b>Motor Type</b>	0960M
<b>Mounting Arrangement</b>	F1
<b>Number of Poles</b>	4
<b>Overall Length</b>	23.86 IN
<b>Power Factor</b>	83
<b>Product Family</b>	General Purpose
<b>Pulley End Bearing Type</b>	Ball
<b>Pulley Face Code</b>	C-Face
<b>Pulley Shaft Indicator</b>	Standard
<b>Rodent Screen</b>	None
<b>Service Factor</b>	1.15
<b>Shaft Diameter</b>	1.625 IN
<b>Shaft Extension Location</b>	Pulley End
<b>Shaft Ground Indicator</b>	No Shaft Grounding
<b>Shaft Rotation</b>	Reversible
<b>Shaft Slinger Indicator</b>	Shaft Slinger
<b>Speed</b>	1770 rpm
<b>Speed Code</b>	Single Speed
<b>Starting Method</b>	Direct on line
<b>Thermal Device - Bearing</b>	None
<b>Thermal Device - Winding</b>	None
<b>Vibration Sensor Indicator</b>	No Vibration Sensor
<b>Winding Thermal 1</b>	None
<b>Winding Thermal 2</b>	None

**Nameplate**

<b>NP3441L</b>									
<b>CAT.NO.</b>	CEM2334T-5								
<b>SPEC.</b>	09C102T507G1								
<b>HP</b>	20								
<b>VOLTS</b>	575								
<b>AMP</b>	19.2								
<b>RPM</b>	1770								
<b>FRAME</b>	256TC		<b>HZ</b>	60		<b>PH</b>	3		
<b>SER.F.</b>	1.15	<b>CODE</b>	J	<b>DES</b>	A	<b>CL</b>	F		
<b>NEMA-NOM-EFF</b>	93	<b>PF</b>	83						
<b>RATING</b>	40C AMB-CONT								
<b>CC</b>	010A								
<b>DE</b>	6309		<b>ODE</b>	6208					
<b>ENCL</b>	TEFC	<b>SN</b>							
<b>VPWM INVERTER READY</b>									
<b>CT6-60H(10:1)VT3-60H(20:1</b>									
	SFA 21.7								

## Parts list

Part number	Description	Quantity
SA347951	SA 09C102T507G1	1.000 ea
RA336510	RA 09C102T507G1	1.000 ea
09FN3001D01SP	EXTERNAL FAN, PLASTIC (COMES W/SCREW FRO	1.000 ea
HW1002A63	WASHER, 5/8 HI-COLLAR SPRLCKWASHER	1.000 ea
09CB3003	CB W/1.75" DIA LD HL - 37, 39, 307 & 309	1.000 ea
09GS1000	GASKET-CONDUIT BOX, 1/16 THICK LEXIDE	1.000 ea
51XW2520A12	.25-20 X .75, TAPTITE II, HEX WSHR SLTD	4.000 ea
WD1000B16	T&B CX70TN OR L70P TERMINAL LUG	1.000 ea
59XW2520G07	.25-20X.44,HEX SER WSHR,TAPTITE 2,GREEN	1.000 ea
09EP1100A208	ENDPLATE, MACH	1.000 ea
HA3400A33	STUD- 3/8-16 X 4.96 HEX	4.000 ea
HW1001A38	LOCKWASHER 3/8, ZINC PLT .688 OD, .382 I	4.000 ea
XY3816A12	3/8-16 FINISHED NUT W/SERRATIONS	4.000 ea
HW5100A08	W3118-035 WVY WSHR (WB)	1.000 ea
10XN2520K36	1/4-20 X 2.25" HX HD SCRWGRADE 5, ZINC P	4.000 ea
HW1001A25	LOCKWASHER 1/4, ZINC PLT .493 OD, .255 I	4.000 ea
09EP1300A155	PUEP MACH W/309 BRG & "O" DRAIN, SLINGER	1.000 ea
10XN3816K28	3/8-16 X 1.75 HEX HD CAP SCREW, GRADE 5	4.000 ea
HW4600B44	V-RING SLINGER 1.500 X 1.810 X .28 VITON	1.000 ea
HW1001A38	LOCKWASHER 3/8, ZINC PLT .688 OD, .382 I	4.000 ea
HW1001A38	LOCKWASHER 3/8, ZINC PLT .688 OD, .382 I	4.000 ea
09CB3501SP	CONDUIT BOX LID FOR 09CB3001 & 09CB3002	1.000 ea
09GS1013SP	GS FOR 09CB3501, 12CB1500 & 12CB1503 LID	1.000 ea
51XW2520A12	.25-20 X .75, TAPTITE II, HEX WSHR SLTD	2.000 ea
HW2501G25	KEY, 3/8 SQ X 2.875	1.000 ea
HW4500A05	1669B ALEM/UNIV860 GR FTG X	1.000 ea
HW4500A17	317400 ALEMITE GREASE RELIEF	1.000 ea
HA4051A00	PLASTIC CAP FOR GREASE FITTING	1.000 ea
HA4066A01	PUSH IN T-DRAIN FITTING (BLACK)	1.000 ea
MJ1000A02	GREASE, POLYREX EM EXXON	0.080 lb
HA4051A00	PLASTIC CAP FOR GREASE FITTING	1.000 ea

HW4500A03	GREASE FITTING, .125 NPT 1610(ALEMITE) 8	1.000 ea
HW4500A17	317400 ALEMITE GREASE RELIEF	1.000 ea
HA4066A01	PUSH IN T-DRAIN FITTING (BLACK)	1.000 ea
HW2500A25	WOODRUFF KEY USA #1008 #BLOW CARBON STEE	1.000 ea
09FH4000SP	309 FH - BLACK PRIMER	1.000 ea
MG1050Y01	CELEROL BALDOR GOLD *** NLA IN 5 GALLON	0.050 ga
85XU0407S04	4X1/4 U DRIVE PIN STAINLESS	2.000 ea
LB1624	COMBINED WARNING LABEL, ISO/ANSI PICTOGR	1.000 ea
LC0006	CONNECTION LABEL	1.000 ea
NP3441L	ALUM SUPER-E VPWM INVERTER READY UL EEV	1.000 ea
09PA1000	PACKAGING GROUP COMBINED PRINT	1.000 ea
MN416A01	TAG-INSTAL-MAINT no wire (2500bx)4/22	1.000 ea
FE-0000013	ZRTG FE ASSEMBLY	1.000 ea
LD7020E03	LEAD SET, 10AWG, 3 LEAD, 20" LONG LEADS	1.000 ea

**AC Induction Motor Performance Data**

Record # 67979

Typical performance - not guaranteed values

Winding: 09WGT507-R001		Type: 0960M	Enclosure: TEFC		
<b>Nameplate Data</b>			<b>575 V, 60 Hz: Single Voltage Motor</b>		
Rated Output (HP)	20	Full Load Torque	59.29 LB-FT		
Volts	575	Start Configuration	direct on line		
Full Load Amps	19.2	Breakdown Torque	231 LB-FT		
R.P.M.	1770	Pull-up Torque	126 LB-FT		
Hz	60	Phase	3	Locked-rotor Torque	140 LB-FT
NEMA Design Code	A	KVA Code	J	Starting Current	158 A
Service Factor (S.F.)	1.15	No-load Current	8.28 A		
NEMA Nom. Eff.	93	Power Factor	83	Line-line Res. @ 25°C	0.499 Ω
Rating - Duty	40C AMB-CONT		Temp. Rise @ Rated Load	58°C	
S.F. Amps			Temp. Rise @ S.F. Load	69°C	
			Locked-rotor Power Factor	26.5	
			Rotor inertia	2.65 lb-ft <sup>2</sup>	

**Load Characteristics 575 V, 60 Hz, 20 HP**

% of Rated Load	25	50	75	100	125	150	S.F.
Power Factor	45	67	78	83	86	87	85
Efficiency	89.2	93	93.7	93.5	93.1	92.4	93.3
Speed	1793	1786	1779	1772	1764	1755	1767
Line amperes	9.41	11.99	15.34	19.19	23.44	27.92	21.7

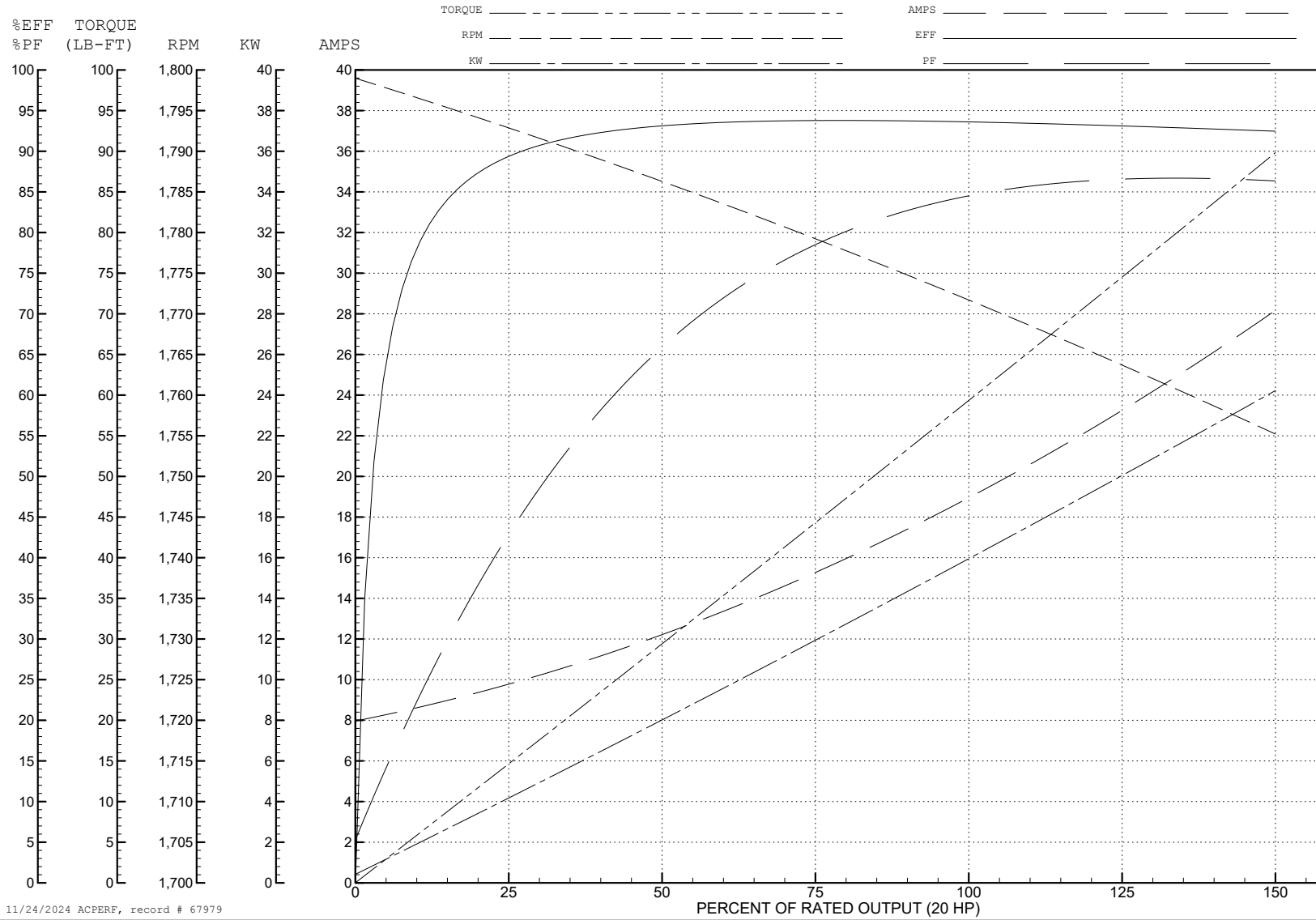
ABB Motors and Mechanical Inc.

WINDING # 09WGT507

Typical performance - not guaranteed values.

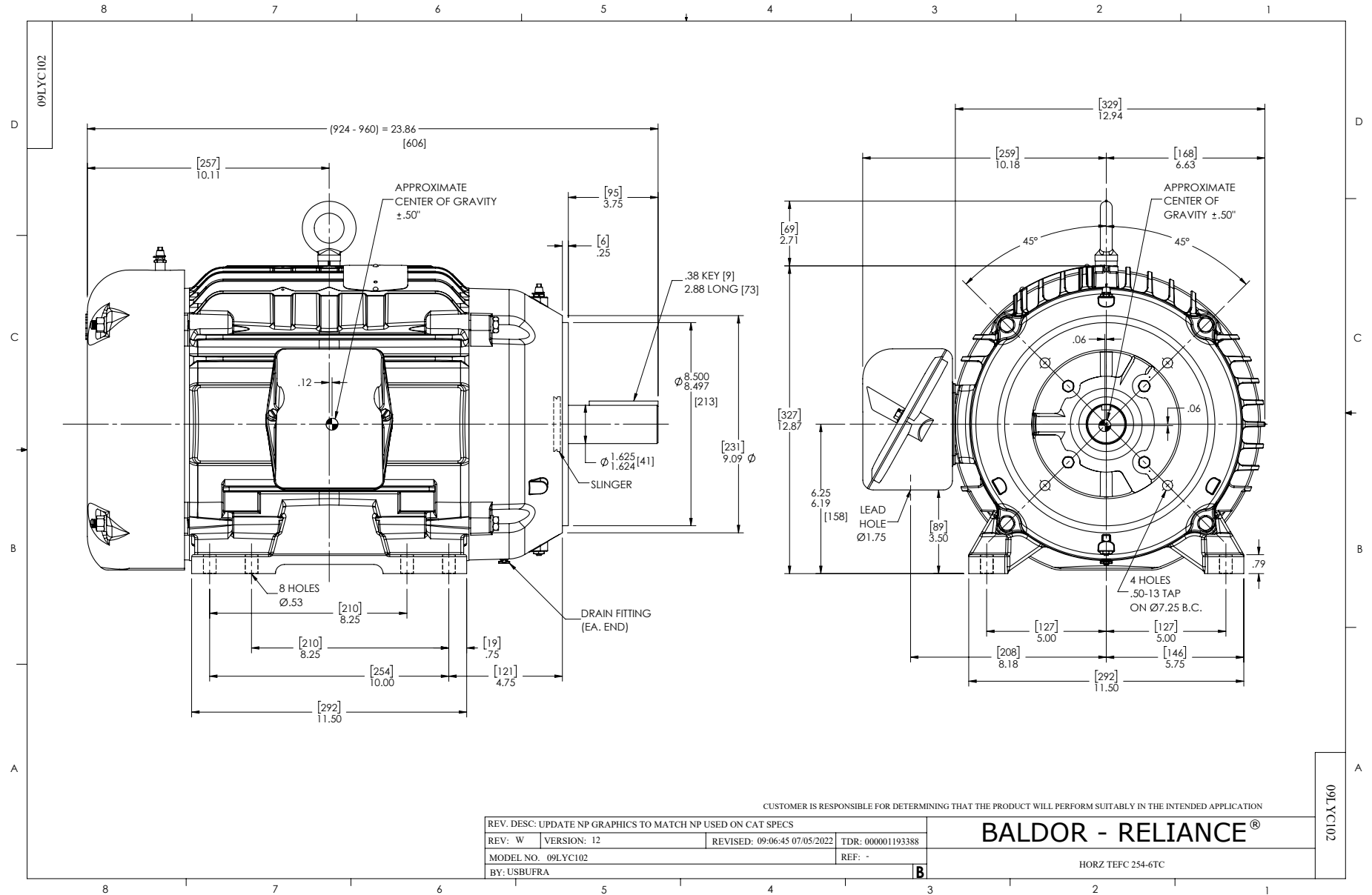
20 HP 3 PH 60 HZ 1770 RPM 575 V 0960M

TORQUES (LB-FT): PO=231 PU=126 LR=140 LRA=158

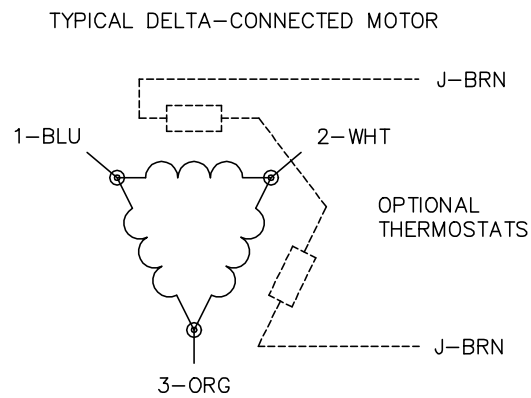
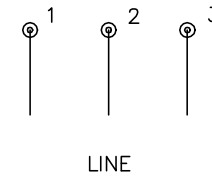
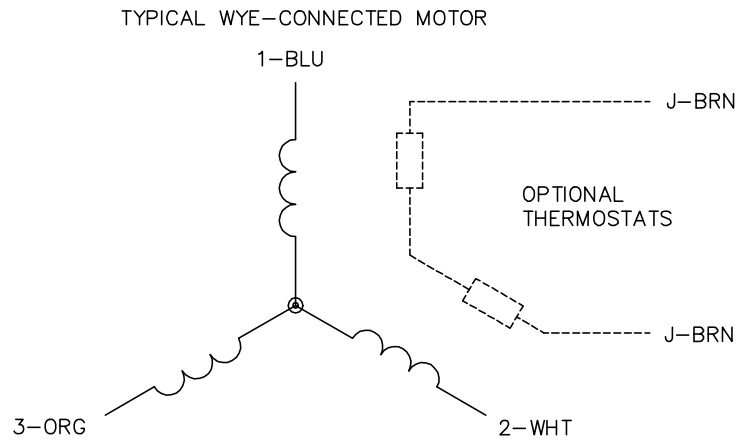


11/24/2024 ACPERF, record # 67979





CD0006



NOTES:

1. THREE LEAD MOTOR MAY BE EITHER WYE CONNECTED OR DELTA CONNECTED.
2. INTERCHANGE ANY TWO LINE LEADS TO REVERSE ROTATION.
3. OPTIONAL THERMOSTATS ARE PROVIDED WHEN SPECIFIED.
4. ACTUAL NUMBER OF INTERNAL PARALLEL CIRCUITS MAY VARY.
5. LEAD COLORS ARE OPTIONAL. LEADS MUST BE NUMBERED AS SHOWN.

CD0006

REV. DESC: ADD CLASS CONN00000007		
REV. LTR: E	VERSION: 01	TDR: 000001099922
FILE: \AAA\00005\141	REVISED: 10:24:49 02/19/2019	BY: ENBRIRO
MTL: -	© □	

**BALDOR - RELIANCE®**

3PH, SV, 3 LEADS, WYE OR DELTA CONNECTED

SH 1 of 1