



Customer information packet

CEM3546T-5

1HP, 1774RPM, 3PH, 60HZ, 143TC, 3522M, TEFC, F1

Class - None

Division - Not Applicable

Specifications

| | |
|--------------------------------|---|
| Enclosure | TEFC |
| Frame | 143TC |
| Frame Material | Steel |
| Frequency | 60.00 Hz |
| Haz Area Class and Group | None |
| Haz Area Division | Not Applicable |
| Motor Letter Type | Three Phase |
| Output @ Frequency | 1.000 HP @ 60 HZ |
| Phase | 3 |
| Synchronous Speed @ Frequency | 1800 RPM @ 60 HZ |
| Voltage @ Frequency | 575.0 V @ 60 HZ |
| Agency Approvals | NEMA PREMIUM NEMA_PREMIUM UR CSA EEV |
| Ambient Temperature | 40 °C |
| Auxillary Box | No Auxillary Box |
| Auxillary Box Lead Termination | None |
| Base Indicator | Rigid |
| Bearing Grease Type | Polyrex EM (-20F +300F) |
| Blower | None |
| Current @ Voltage | 1.300 A @ 575.0 V |
| Design Code | B |
| Drip Cover | No Drip Cover |
| Duty Rating | CONT |
| Efficiency @ 100% Load | 85.5 % |
| Electrically Isolated Bearing | Not Electrically Isolated |
| Feedback Device | NO FEEDBACK |
| Front Shaft Indicator | None |
| Heater Indicator | No Heater |
| High Voltage Full Load Amps | 1.3 a |
| Insulation Class | F |

Part detail

| | |
|--------------|------------|
| Revision | E |
| Type | AC |
| Mech. spec. | 35AA002 |
| Base | |
| Status | PRD/A |
| Elec. spec. | 35WGG119 |
| Layout | 35LYAA002 |
| Eff. date | 04-29-2024 |
| CD Diagram | CD0006 |
| Poles | 04 |
| Leads | 3#18 |
| Proprietary | False |
| Created date | 01-10-2022 |

| | |
|-------------------------------|---------------------|
| Inverter Code | Inverter Ready |
| KVA Code | M |
| Lifting Lugs | No Lifting Lugs |
| Locked Bearing Indicator | Locked Bearing |
| Motor Lead Quantity/Wire Size | 3 @ 18 AWG |
| Motor Lead Termination | Flying Leads |
| Motor Standards | NEMA |
| Motor Type | 3522M |
| Mounting Arrangement | F1 |
| Number of Poles | 4 |
| Overall Length | 13.29 IN |
| Power Factor | 70 |
| Product Family | General Purpose |
| Pulley End Bearing Type | Ball |
| Pulley Face Code | C-Face |
| Pulley Shaft Indicator | Standard |
| Rodent Screen | None |
| Service Factor | 1.15 |
| Shaft Diameter | 0.875 IN |
| Shaft Ground Indicator | No Shaft Grounding |
| Shaft Rotation | Reversible |
| Shaft Slinger Indicator | No Slinger |
| Speed | 1775 rpm |
| Speed Code | Single Speed |
| Starting Method | Direct on line |
| Thermal Device - Bearing | None |
| Thermal Device - Winding | None |
| Vibration Sensor Indicator | No Vibration Sensor |
| Winding Thermal 1 | None |
| Winding Thermal 2 | None |

Nameplate

| NP3441L | | | | | | | | | |
|----------------------------------|---------------|-------------|------------|------------|---|-----------|---|--|--|
| CAT.NO. | CEM3546T-5 | | | | | | | | |
| SPEC. | 35AA002G119G1 | | | | | | | | |
| HP | 1 | | | | | | | | |
| VOLTS | 575 | | | | | | | | |
| AMP | 1.3 | | | | | | | | |
| RPM | 1775 | | | | | | | | |
| FRAME | 143TC | | HZ | 60 | | PH | 3 | | |
| SER.F. | 1.15 | CODE | M | DES | B | CL | F | | |
| NEMA-NOM-EFF | 85.5 | PF | 70 | | | | | | |
| RATING | 40C AMB-CONT | | | | | | | | |
| CC | 010A | | | | | | | | |
| DE | 6205 | | ODE | 6203 | | | | | |
| ENCL | TEFC | SN | | | | | | | |
| VPWM INVERTER READY | | | | | | | | | |
| CT6-60H(10:1)VT3-60H(20:1 | | | | | | | | | |
| | SFA 1.4 | | | | | | | | |

Parts list

| Part number | Description | Quantity |
|---------------|--|----------|
| SA402661 | SA 35AA002G119G1 | 1.000 ea |
| RA393938 | RA 35AA002G119G1 | 1.000 ea |
| 34FN3002B01 | EXTERNAL FAN, PLASTIC, .637/.639 HUB W/ | 1.000 ea |
| NS2512A01 | INSULATOR, CONDUIT BOX X | 1.000 ea |
| 35CB3009 | 35 CB W/1.09 DIA. LEAD HOLE @ 6: | 1.000 ea |
| 36GS1000SP | GASKET-CONDUIT BOX, .06 THICK #SV-330 LE | 1.000 ea |
| 51XB1016A07 | 10-16 X 7/16 HXWSSLD SERTYB | 2.000 ea |
| 11XW1032G06 | 10-32 X .38, TAPTITE II, HEX WSHR SLTD U | 1.000 ea |
| 35EP3122A00 | MASTER ODE,203 BRG,.683SH,#26 DRN,GRSR,F | 1.000 ea |
| HW4500A01 | 1641B(ALEMITE)400 UNIV, GREASE FITT | 1.000 ea |
| HW5100A03 | WAVY WASHER (W1543-017) | 1.000 ea |
| 35EP3307D00 | MASTER DE,205 BRG,.998SH,#26 DRN,GRSR | 1.000 ea |
| HW4500A01 | 1641B(ALEMITE)400 UNIV, GREASE FITT | 1.000 ea |
| 51XN1032A20 | 10-32 X 1 1/4 HX WS SL SR | 2.000 ea |
| 51XB1214A16 | 12-14X1.00 HXWSSLD SERTYB | 1.000 ea |
| 35FH4005A84SP | IEC FH W/GRSR, NO DIMPLES PRIMED | 1.000 ea |
| 51XW1032A06 | 10-32 X .38, TAPTITE II, HEX WSHR SLTD S | 3.000 ea |
| 35CB4521GX | CONDUIT BOX LID KIT **ORDER INDIV PARTS | 1.000 ea |
| 51XW0832A07 | 8-32 X .44, TAPTITE II, HEX WSHR SLTD SE | 4.000 ea |
| HW2501D13 | KEY, 3/16 SQ X 1.375 | 1.000 ea |
| HA7000A01 | KEY RETAINER 7/8" DIA SHAFT | 1.000 ea |
| 85XU0407S04 | 4X1/4 U DRIVE PIN STAINLESS | 2.000 ea |
| MJ1000A02 | GREASE, POLYREX EM EXXON | 0.050 lb |
| MG1050Y01 | CELEROL BALDOR GOLD *** NLA IN 5 GALLON | 0.017 ga |
| HA3100A15 | THRUBOLT 10-32 X 8.375 | 4.000 ea |
| LB1624 | COMBINED WARNING LABEL, ISO/ANSI PICTOGR | 1.000 ea |
| LC0006 | CONNECTION LABEL | 1.000 ea |
| NP3441L | ALUM SUPER-E VPWM INVERTER READY UL EEV | 1.000 ea |
| 36PA1000 | PKG GRP, PRINT PK1016A06 | 1.000 ea |
| MN416A01 | TAG-INSTAL-MAINT no wire (2500bx)4/22 | 1.000 ea |
| FE-0000001 | ZRTG FE ASSEMBLY | 1.000 ea |

PE-0000001

ZRTG PE ASSEMBLY

1.000 ea

AC Induction Motor Performance Data

Record # 99012

Typical performance - not guaranteed values

| Winding: 35WGG119-R001 | | Type: 3522M | | Enclosure: TEFC | |
|------------------------|-------------------|-------------|---|-----------------|--------------------------|
| Nameplate Data | | | 575 V, 60 Hz: Single Voltage Motor | | |
| Rated Output (HP) | | 1 | Full Load Torque | | 2.99 LB-FT |
| Volts | | 575 | Start Configuration | | direct on line |
| Full Load Amps | | 1.3 | Breakdown Torque | | 13.4 LB-FT |
| R.P.M. | | 1775 | Pull-up Torque | | 6.8 LB-FT |
| Hz | 60 Phase | 3 | Locked-rotor Torque | | 8.3 LB-FT |
| NEMA Design Code | B KVA Code | M | Starting Current | | 10.9 A |
| Service Factor (S.F.) | | 1.15 | No-load Current | | 0.87 A |
| NEMA Nom. Eff. | 85.5 Power Factor | 70 | Line-line Res. @ 25°C | | 30.1 Ω |
| Rating - Duty | 40C AMB-CONT | | Temp. Rise @ Rated Load | | 36°C |
| S.F. Amps | | 1.4 | Temp. Rise @ S.F. Load | | 42°C |
| | | | Locked-rotor Power Factor | | 63.4 |
| | | | Rotor inertia | | 0.159 lb-ft ² |

Load Characteristics 575 V, 60 Hz, 1 HP

| % of Rated Load | 25 | 50 | 75 | 100 | 125 | 150 | S.F. |
|-----------------|------|------|------|------|------|------|------|
| Power Factor | 31 | 48 | 61 | 70 | 76 | 80 | 74 |
| Efficiency | 72.1 | 81.6 | 84.9 | 85.8 | 85.7 | 85 | 85.7 |
| Speed | 1794 | 1787 | 1781 | 1774 | 1767 | 1758 | 1770 |
| Line amperes | 0.89 | 0.97 | 1.1 | 1.26 | 1.44 | 1.65 | 1.37 |

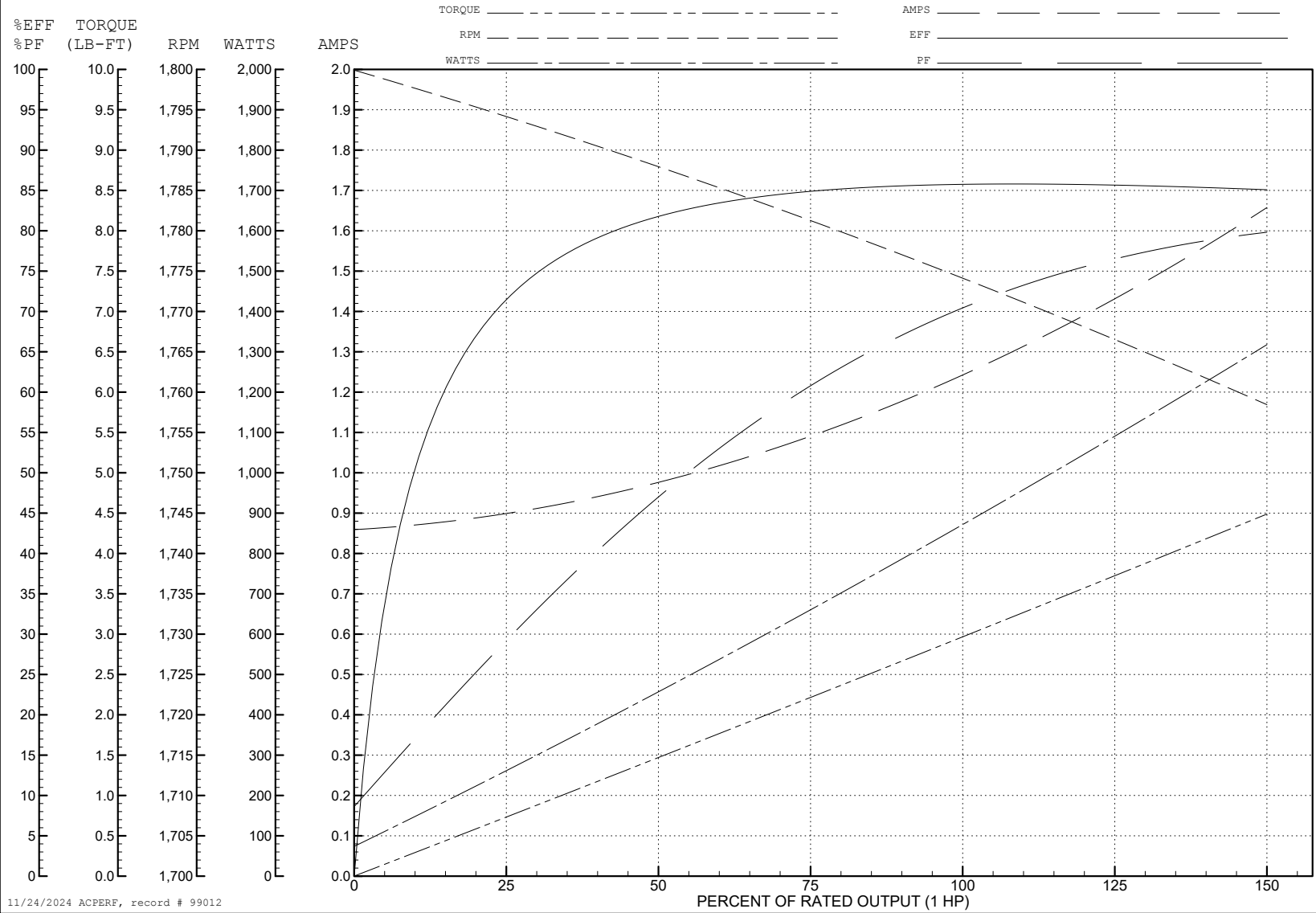
ABB Motors and Mechanical Inc.

WINDING # 35WGG119

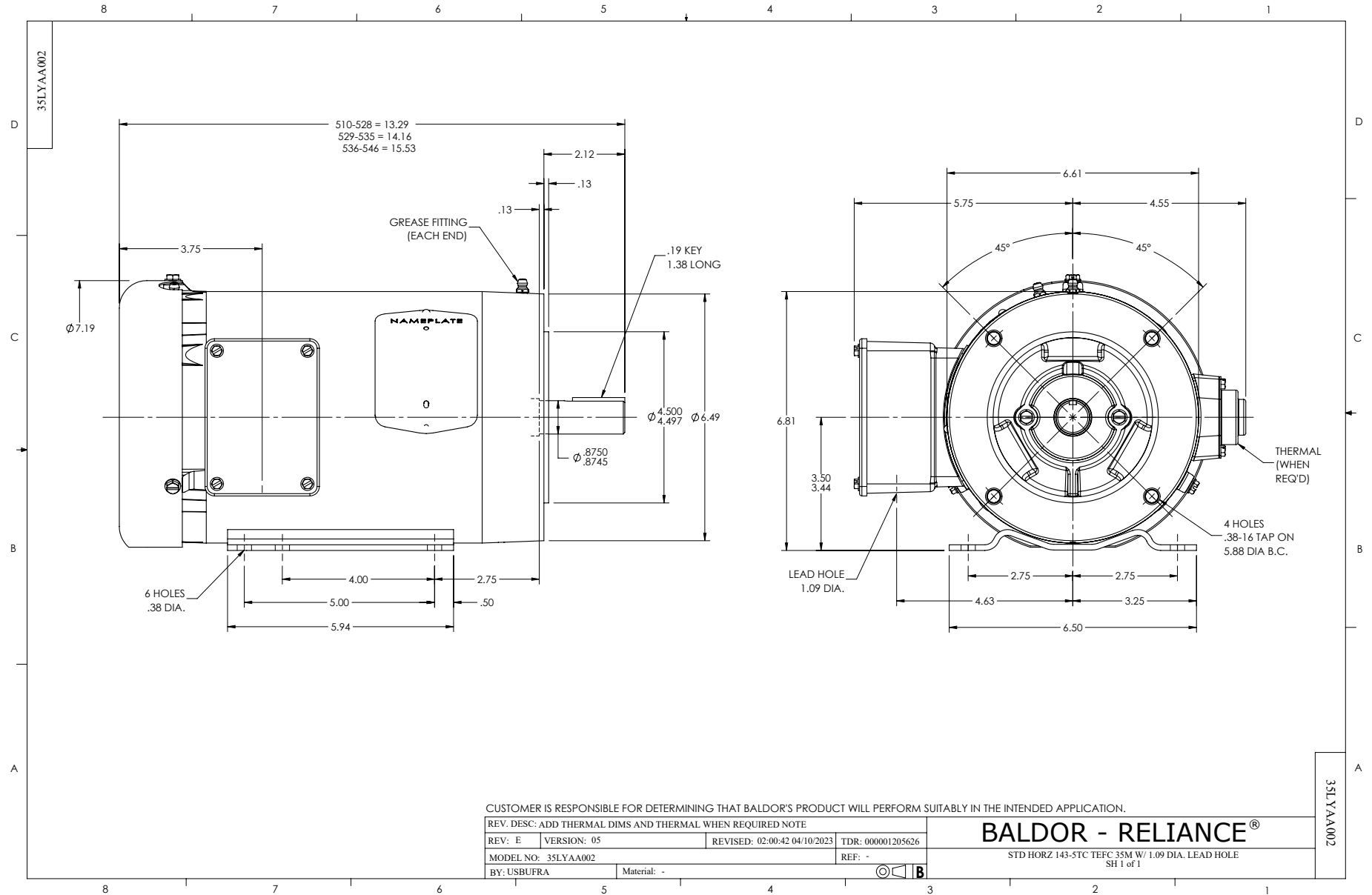
1 HP 3 PH 60 HZ 1775 RPM 575 V 3522M

Typical performance - not guaranteed values.

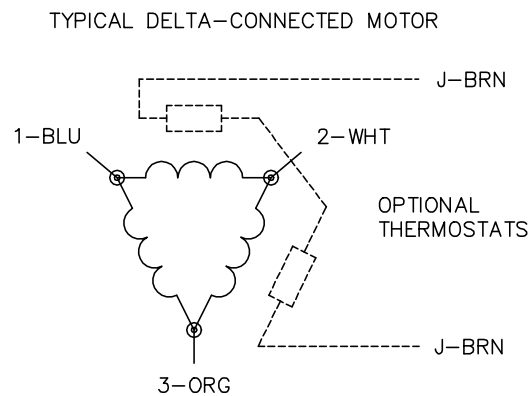
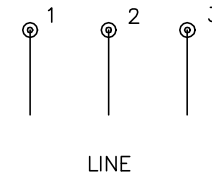
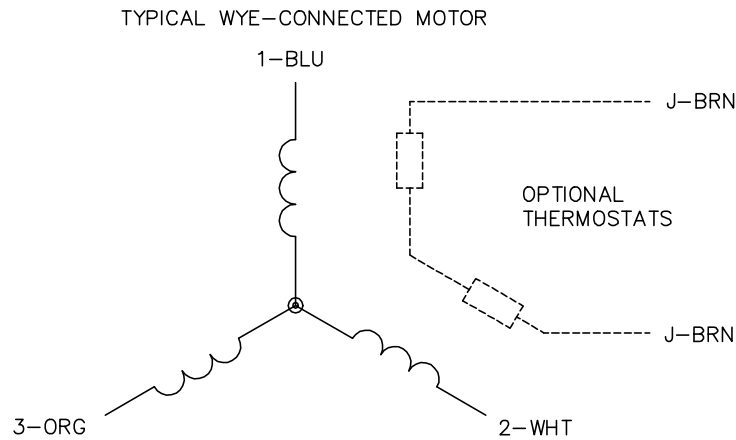
TORQUES (LB-FT): PO=13.4 PU=6.8 LR=8.3 LRA=10.9



11/24/2024 ACPERF, record # 99012



CD0006



NOTES:

1. THREE LEAD MOTOR MAY BE EITHER WYE CONNECTED OR DELTA CONNECTED.
2. INTERCHANGE ANY TWO LINE LEADS TO REVERSE ROTATION.
3. OPTIONAL THERMOSTATS ARE PROVIDED WHEN SPECIFIED.
4. ACTUAL NUMBER OF INTERNAL PARALLEL CIRCUITS MAY VARY.
5. LEAD COLORS ARE OPTIONAL. LEADS MUST BE NUMBERED AS SHOWN.

CD0006

| | | |
|-----------------------------------|------------------------------|-------------------|
| REV. DESC: ADD CLASS CONN00000007 | | |
| REV. LTR: E | VERSION: 01 | TDR: 000001099922 |
| FILE: \AAA\00005\141 | REVISED: 10:24:49 02/19/2019 | BY: ENBRIRO |
| MTL: - | © □ | |

BALDOR - RELIANCE®

3PH, SV, 3 LEADS, WYE OR DELTA CONNECTED

SH 1 of 1