



---

# Customer information packet

## CEM3581T-5

1HP, 1770RPM, 3PH, 60HZ, 143TC, 0520M, TEFC, F1

Class - None

Division - Not Applicable

## Specifications

Enclosure	TEFC
Frame	143TC
Frame Material	Iron
Frequency	60.00 Hz
Haz Area Class and Group	None
Haz Area Division	Not Applicable
Motor Letter Type	Three Phase
Output @ Frequency	1.000 HP @ 60 HZ
Phase	3
Synchronous Speed @ Frequency	1800 RPM @ 60 HZ
Voltage @ Frequency	575.0 V @ 60 HZ
Agency Approvals	NEMA PREMIUM NEMA_PREMIUM UR CSA EEV
Ambient Temperature	40 °C
Auxillary Box	No Auxillary Box
Auxillary Box Lead Termination	None
Base Indicator	Rigid
Bearing Grease Type	Polyrex EM (-20F +300F)
Blower	None
Current @ Voltage	1.200 A @ 575.0 V
Design Code	B
Drip Cover	No Drip Cover
Duty Rating	CONT
Efficiency @ 100% Load	85.5 %
Electrically Isolated Bearing	Not Electrically Isolated
Feedback Device	NO FEEDBACK
Front Shaft Indicator	None
Heater Indicator	No Heater
High Voltage Full Load Amps	1.2 a
Insulation Class	F

## Part detail

Revision	E
Type	AC
Mech. spec.	05C052
Base	
Status	PRD/A
Elec. spec.	05WGX567
Layout	05LYC052
Eff. date	04-29-2024
CD Diagram	CD0006
Poles	04
Leads	3#18
Proprietary	False
Created date	03-11-2022

Inverter Code	Inverter Ready
KVA Code	M
Lifting Lugs	Standard Lifting Lugs
Locked Bearing Indicator	Locked Bearing
Motor Lead Quantity/Wire Size	3 @ 18 AWG
Motor Lead Termination	Flying Leads
Motor Standards	NEMA
Motor Type	0520M
Mounting Arrangement	F1
Number of Poles	4
Overall Length	13.03 IN
Power Factor	72
Product Family	General Purpose
Pulley End Bearing Type	Ball
Pulley Face Code	C-Face
Pulley Shaft Indicator	Standard
Rodent Screen	None
Service Factor	1.15
Shaft Diameter	0.875 IN
Shaft Ground Indicator	No Shaft Grounding
Shaft Rotation	Reversible
Shaft Slinger Indicator	No Slinger
Speed	1770 rpm
Speed Code	Single Speed
Starting Method	Direct on line
Thermal Device - Bearing	None
Thermal Device - Winding	None
Vibration Sensor Indicator	No Vibration Sensor
Winding Thermal 1	None
Winding Thermal 2	None

**Nameplate**

<b>NP3441L</b>									
<b>CAT.NO.</b>	CEM3581T-5								
<b>SPEC.</b>	05C052X567G1								
<b>HP</b>	1								
<b>VOLTS</b>	575								
<b>AMP</b>	1.2								
<b>RPM</b>	1770								
<b>FRAME</b>	143TC		<b>HZ</b>	60		<b>PH</b>	3		
<b>SER.F.</b>	1.15	<b>CODE</b>	M	<b>DES</b>	B	<b>CL</b>	F		
<b>NEMA-NOM-EFF</b>	85.5	<b>PF</b>	72						
<b>RATING</b>	40C AMB-CONT								
<b>CC</b>	010A								
<b>DE</b>	6205		<b>ODE</b>	6203					
<b>ENCL</b>	TEFC	<b>SN</b>							
<b>VPWM INVERTER READY</b>									
<b>CT6-60H(10:1)VT3-60H(20:1</b>									
	SFA 1.33								

## Parts list

Part number	Description	Quantity
SA408925	SA 05C052X567G1	1.000 ea
RA400472	RA 05C052X567G1	1.000 ea
34FN3002B01	EXTERNAL FAN, PLASTIC, .637/.639 HUB W/	1.000 ea
LB1624	COMBINED WARNING LABEL, ISO/ANSI PICTOGR	1.000 ea
HW3201A05	3/8-16 EYEBOLT	1.000 ea
WD1000B16	T&B CX70TN OR L70P TERMINAL LUG	1.000 ea
10XN2520A06	1/4 20X3/8 HX HD CAP	2.000 ea
06CB3000	BALDOR CONDUIT BOX CAST	1.000 ea
06GS1000	GASKET, CONDUIT BOX	1.000 ea
51XW2520A12	SCREW, HEX SER SLT HD, ZN, 1/4-20 X .75	2.000 ea
11XW1032G06	10-32 X .38, TAPTITE II, HEX WSHR SLTD U	1.000 ea
HW3001B01	BRASS CUP WASHER, FOR #10 SCREW	1.000 ea
35EP1100A02	FR ENDPLATE, TEFC W/GREASER	1.000 ea
HW4500A01	1641B(ALEMITE)400 UNIV, GREASE FITT	1.000 ea
HW5100A03	WAVY WASHER (W1543-017)	1.000 ea
35EP1329A01	PU EP ENCL 143-5TC 205 BRG W/GRSR & STD	1.000 ea
HW4500A01	1641B(ALEMITE)400 UNIV, GREASE FITT	1.000 ea
51XN1032A20	10-32 X 1 1/4 HX WS SL SR	2.000 ea
HA3100A28	THRUBOLT 10-32 X 8.187	4.000 ea
51XB1214A16	12-14X1.00 HXWSSLD SERTYB	1.000 ea
35FH4005A02	IEC FH W/GREASER - W/PRIMER	1.000 ea
51XW1032A06	10-32 X .38, TAPTITE II, HEX WSHR SLTD S	3.000 ea
06CB3500	BALDOR CONDUIT BOX LID	1.000 ea
06GS1001	BALDOR CONDUIT BOX GASKET	1.000 ea
51XW2520A12	.25-20 X .75, TAPTITE II, HEX WSHR SLTD	2.000 ea
HW2501D13	KEY, 3/16 SQ X 1.375	1.000 ea
HA7000A01	KEY RETAINER 7/8" DIA SHAFT	1.000 ea
85XU0407S04	4X1/4 U DRIVE PIN STAINLESS	2.000 ea
MJ1000A02	GREASE, POLYREX EM EXXON	0.050 lb
MG1050Y01	CELEROL BALDOR GOLD *** NLA IN 5 GALLON	0.022 ga
LC0006	CONNECTION LABEL	1.000 ea

NP3441L	ALUM SUPER-E VPWM INVERTER READY UL EEV	1.000 ea
36PA1000	PKG GRP, PRINT PK1016A06	1.000 ea
MN416A01	TAG-INSTAL-MAINT no wire (2500bx)4/22	1.000 ea
PE-0000001	ZRTG PE ASSEMBLY	1.000 ea

**AC Induction Motor Performance Data**

Record # 89183

Typical performance - not guaranteed values

Winding: 05WGX567-R001		Type: 0520M		Enclosure: TEFC	
<b>Nameplate Data</b>			<b>575 V, 60 Hz: Single Voltage Motor</b>		
Rated Output (HP)		1	Full Load Torque		2.96 LB-FT
Volts		575	Start Configuration		direct on line
Full Load Amps		1.2	Breakdown Torque		11.89 LB-FT
R.P.M.		1770	Pull-up Torque		7.42 LB-FT
Hz	60 Phase	3	Locked-rotor Torque		9.63 LB-FT
NEMA Design Code	B KVA Code	M	Starting Current		10.72 A
Service Factor (S.F.)		1.15	No-load Current		0.768 A
NEMA Nom. Eff.	85.5 Power Factor	72	Line-line Res. @ 25°C		32.1 Ω
Rating - Duty		40C AMB-CONT	Temp. Rise @ Rated Load		31°C
S.F. Amps			Temp. Rise @ S.F. Load		37°C
			Locked-rotor Power Factor		62.9842
			Rotor inertia		0.144 lb-ft <sup>2</sup>

**Load Characteristics 575 V, 60 Hz, 1 HP**

% of Rated Load	25	50	75	100	125	150	S.F.
Power Factor	33	51	64	72	78	82	76
Efficiency	72.5	82.2	85.1	85.4	85.1	84	85.2
Speed	1792	1784	1776	1768	1758	1748	1762
Line amperes	0.803	0.9	1.04	1.21	1.41	1.63	1.33

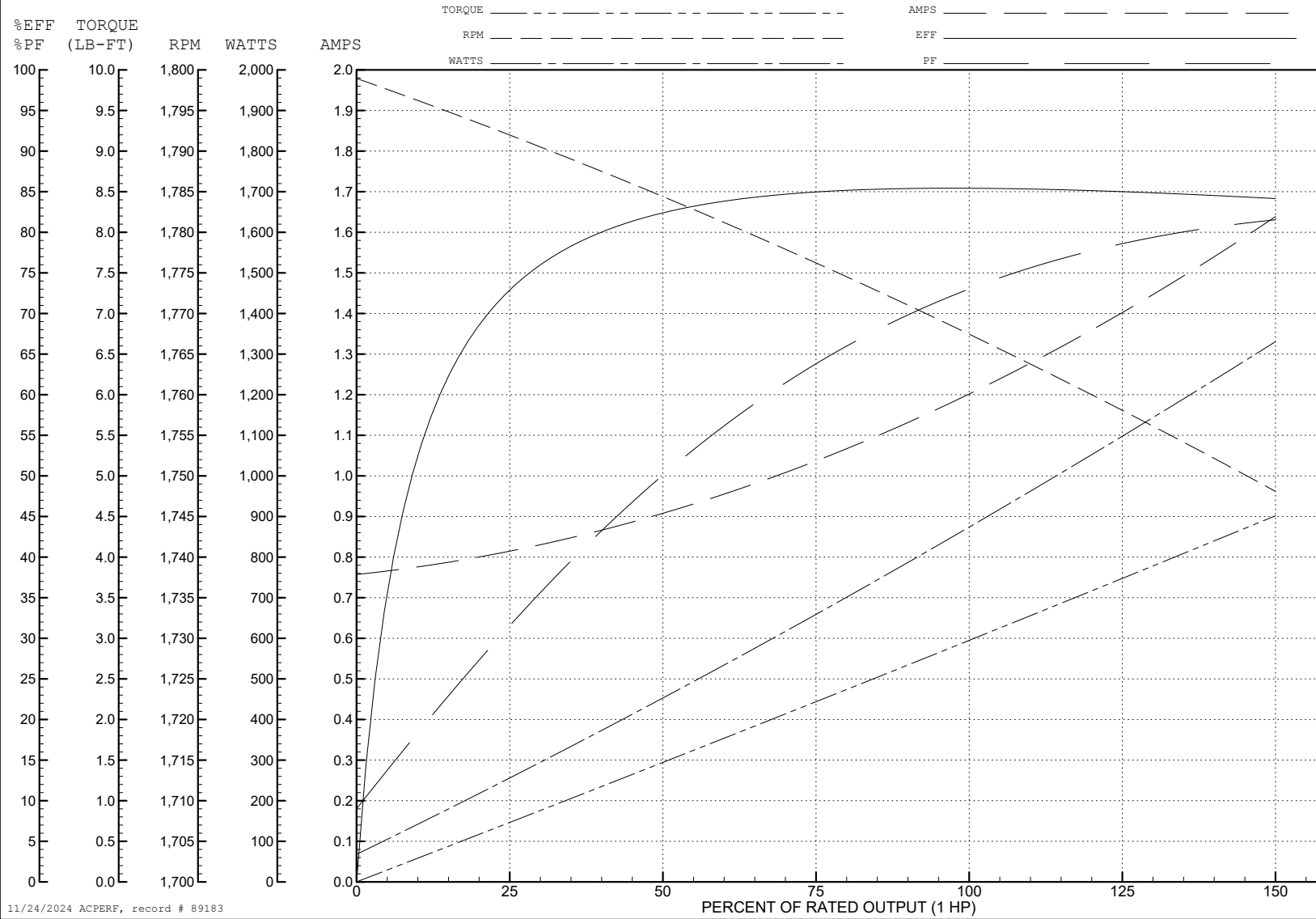
ABB Motors and Mechanical Inc.

WINDING # 05WGX567

Typical performance - not guaranteed values.

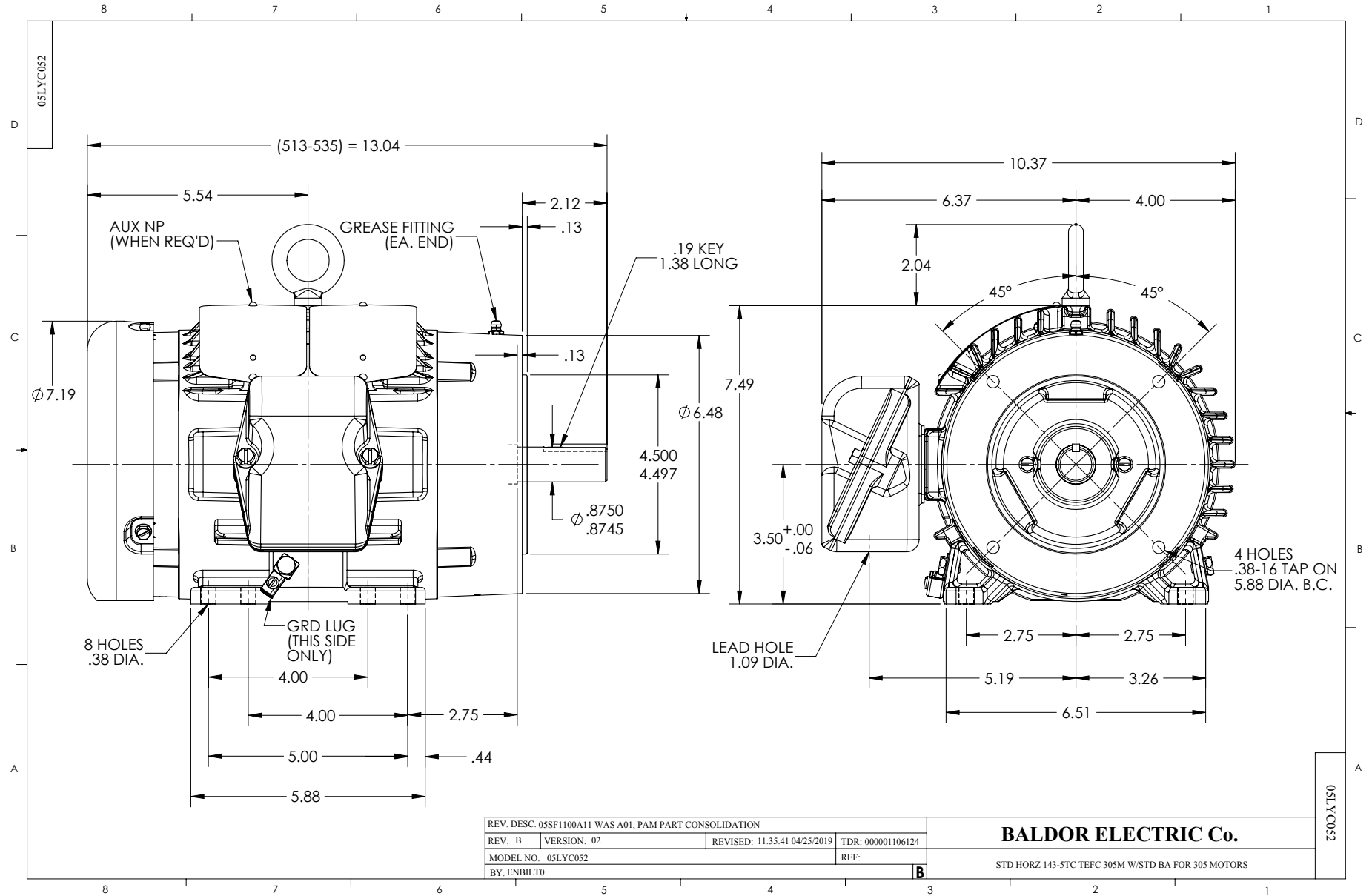
1 HP 3 PH 60 HZ 1770 RPM 575 V 0520M

TORQUES (LB-FT): PO=11.89 PU=7.42 LR=9.63 LRA=10.72



11/24/2024 ACPERF, record # 89183





CD0006



NOTES:

1. THREE LEAD MOTOR MAY BE EITHER WYE CONNECTED OR DELTA CONNECTED.
2. INTERCHANGE ANY TWO LINE LEADS TO REVERSE ROTATION.
3. OPTIONAL THERMOSTATS ARE PROVIDED WHEN SPECIFIED.
4. ACTUAL NUMBER OF INTERNAL PARALLEL CIRCUITS MAY VARY.
5. LEAD COLORS ARE OPTIONAL. LEADS MUST BE NUMBERED AS SHOWN.

CD0006

REV. DESC: ADD CLASS CONN00000007		
REV. LTR: E	VERSION: 01	TDR: 000001099922
FILE: \AAA\00005\141	REVISED: 10:24:49 02/19/2019	BY: ENBRIRO
MTL: -	© □	

**BALDOR - RELIANCE®**

3PH, SV, 3 LEADS, WYE OR DELTA CONNECTED

SH 1 of 1