



Customer information packet

CEWDM23933T-5

15HP, 1765RPM, 3PH, 60HZ, 254TC, 3942M, TEFC, F

Class -

Division - Not Applicable

Specifications

Enclosure	TEFC
Frame	254TC
Frame Material	Steel
Frequency	60.00 Hz
Haz Area Division	Not Applicable
Motor Letter Type	Three Phase
Output @ Frequency	15.000 HP @ 60 HZ
Phase	3
Synchronous Speed @ Frequency	1800 RPM @ 60 HZ
Voltage @ Frequency	575.0 V @ 60 HZ
Agency Approvals	CSA CSA EEV UR
Ambient Temperature	40 °C
Auxillary Box	No Auxillary Box
Auxillary Box Lead Termination	None
Base Indicator	Rigid
Bearing Grease Type	Polyrex EM (-20F +300F)
Current @ Voltage	14.500 A @ 575.0 V
Design Code	A
Drip Cover	No Drip Cover
Duty Rating	CONT
Efficiency @ 100% Load	92.4 %
Electrically Isolated Bearing	Not Electrically Isolated
Feedback Device	NO FEEDBACK
Front Face Code	Standard
Front Shaft Indicator	None
Heater Indicator	No Heater
High Voltage Full Load Amps	14.5 a
Insulation Class	F
Inverter Code	Inverter Ready
KVA Code	H

Part detail

Revision	BA
Type	AC
Mech. spec.	39R098
Base	
Status	PRD/A
Elec. spec.	39WGX419
Layout	39LYR098
Eff. date	02-21-2024
CD Diagram	CD0006
Poles	04
Leads	3#12
Proprietary	False
Created date	01-01-0001

Lifting Lugs	Standard Lifting Lugs
Locked Bearing Indicator	Locked Bearing
Motor Lead Exit	Ko Box
Motor Lead Quantity/Wire Size	3 @ 12 AWG
Motor Lead Termination	Flying Leads
Motor Standards	NEMA
Motor Type	3942M
Mounting Arrangement	F1
Number of Poles	4
Overall Length	23.57 IN
Power Factor	84
Product Family	Wash Down
Pulley End Bearing Type	Sealed Bearing
Pulley Face Code	C-Face
Pulley Shaft Indicator	Standard
Rodent Screen	None
Service Factor	1.15
Shaft Diameter	1.625 IN
Shaft Extension Location	Pulley End
Shaft Ground Indicator	No Shaft Grounding
Shaft Rotation	Reversible
Shaft Slinger Indicator	No Slinger
Speed	1765 rpm
Speed Code	Single Speed
Starting Method	Direct on line
Thermal Device - Bearing	None
Thermal Device - Winding	None
Vibration Sensor Indicator	No Vibration Sensor

Nameplate

NP1669L									
CAT.NO.	CEWDM23933T-5								
SPEC.	39R098X419G1								
HP	15								
VOLTS	575								
AMP	14.5								
RPM	1765								
FRAME	254TC		HZ	60		PH	3		
SER.F.	1.15	CODE	H	DES	A	CLASS	F		
NEMA-NOM-EFF	92.4	PF	84						
RATING	40C AMB-CONT								
CC	010A								
DE	6309		ODE	6208					
ENCL	TEFC	SN							
BLANK									

Parts list

Part number	Description	Quantity
SA124851	SA 39R098X419G1	1.000 ea
RA115250	RA 39R098X419G1	1.000 ea
MJ5002A01	SILICON RUBBER SEALANT, 732CL 10.3 OZ TU	0.025 ea
39EP1100A08LP5	FR ENDPLATE, MACH W/EPOXY PRIMER & MG102	1.000 ea
HA6016WP	ADAPTER, CONDUIT BOX, W/WHITE EPOXY, PRIM	1.000 ea
09GS1006	GASKET, CONDUIT BOX, NEOP-1/16 THICK-BLA	1.000 ea
09CB3002A01P	CB MACH - 1.25 N.P.T. LEAD HOLE W/EPOXY	1.000 ea
19XW2520A16	SCREW,1/4-20X1 TAPTITE-II OR ROLOC 91	2.000 ea
HW1001A25	LOCKWASHER 1/4, ZINC PLT .493 OD, .255 I	2.000 ea
WD1000B16	T&B CX70TN OR L70P TERMINAL LUG	1.000 ea
59XW2520G07	.25-20X.44,HEX SER WSHR,TAPTITE 2,GREEN	1.000 ea
HW4032A01	BLACK DRAIN PLUG FOR WASH DOWN MOTORS	3.000 ea
37FN3002C02	EXFN, PLASTIC, 6.00 OD, 1.503 ID	1.000 ea
HW5100A08	W3118-035 WVY WSHR (WB)	1.000 ea
HW2502G25	#303 SS,SQ KEY 3/8 X 2.880	1.000 ea
MJ5001A27	32220KN GRAY SEALER *MIN BUY 4 QTS=1GAL	0.031 qt
39EP1500A04P	PU ENDPLATE, MACH W/EPOXY PRIMER	1.000 ea
HW4600B53	SEAL 1.688 X 2.275 X 0.312 SINGLE LIP DB	1.000 ea
10XN2520S28	1/4-20X 1 3/4 HEX HD SS X	4.000 ea
HA3154S02	THRUBOLT STUD 3/8-16 X 15.875 SS	4.000 ea
09GS1017	GASKET, CONDUIT BOX, .125 THICK BLACK NE	2.000 ea
LB1624	COMBINED WARNING LABEL, ISO/ANSI PICTOGR	1.000 ea
XY3816S12	3/8-16 HEX FINISHED NUT SS	8.000 ea
HA2101A05	SS SPACER,SCH 40,.25" SS PIPE,.625" LONG	3.000 ea
09FH4000A23MLP5	FAN COVER, MACH W/MG1025L14	1.000 ea
10XN2520S16	41/4-20 X 1 HEX HEAD SS	3.000 ea
09CB3501P	CONDUIT BOX LID FOR 09CB3001 & 09CB3002	1.000 ea
12GS1002	GASKET, CONDUIT BOX LID, NEOP	1.000 ea
19XT2520S12	1/4-20X3/4 HWH NO SLOT TY.23 18-8 S.S.	2.000 ea
HW1001S25	WASHER, 1/4 SPLT LK, STAINLESS STEEL	2.000 ea
HW4600B44	V-RING SLINGER 1.500 X 1.810 X .28 VITON	1.000 ea

HW4600B44	V-RING SLINGER 1.500 X 1.810 X .28 VITON	1.000 ea
LB1164	LABEL,WARNING AND DRAIN	1.000 ea
MJ1000A02	GREASE, POLYREX EM EXXON	0.085 lb
HW4032A01	BLACK DRAIN PLUG FOR WASH DOWN MOTORS	3.000 ea
HW2500A25	WOODRUFF KEY USA #1008 #BLOW CARBON STEE	1.000 ea
MG1025W01	WILKOFASST, 781.01, SIGNAL WHITE #9003	0.050 ga
85XU0407S04	4X1/4 U DRIVE PIN STAINLESS	2.000 ea
MN416A01	TAG-INSTAL-MAINT no wire (2500bx)4/22	1.000 ea
LD7020D03	LEAD SET, 12AWG, 3 LEAD, 20" LONG LEADS	1.000 ea
HA5027A01	HA4066A01 T-DRAIN X2 BAGGED	1.000 ea
LC0006	CONNECTION LABEL	1.000 ea
NP1669L	SS WD SUPER-E UL PREM REV MTG	1.000 ea
40PA1000	PACKAGING GROUP	1.000 ea

AC Induction Motor Performance Data

Record # 25747

Typical performance - not guaranteed values

Winding: 39WGX419-R001		Type: 3942M		Enclosure: TEFC	
Nameplate Data			575 V, 60 Hz: Single Voltage Motor		
Rated Output (HP)	15	Full Load Torque	45 LB-FT		
Volts	575	Start Configuration	direct on line		
Full Load Amps	14.5	Breakdown Torque	145 LB-FT		
R.P.M.	1765	Pull-up Torque	76 LB-FT		
Hz	60	Locked-rotor Torque	89.1 LB-FT		
NEMA Design Code	A	Starting Current	101 A		
Service Factor (S.F.)	1.15	No-load Current	5.68 A		
NEMA Nom. Eff.	92.4	Line-line Res. @ 25°C	0.895 Ω		
Rating - Duty	40C	Temp. Rise @ Rated Load	60°C		
S.F. Amps	AMB-CONT	Temp. Rise @ S.F. Load	73°C		
		Locked-rotor Power Factor	33.3		
		Rotor inertia	1.84 lb-ft ²		

Load Characteristics 575 V, 60 Hz, 15 HP

% of Rated Load	25	50	75	100	125	150	S.F.
Power Factor	51	73	84	89	91	92	90
Efficiency	87.4	92	92.9	92.8	92.2	91.6	92.4
Speed	1792	1784	1776	1766	1759	1751	1762
Line amperes	6.42	8.48	11	13.8	16.8	20	15.6

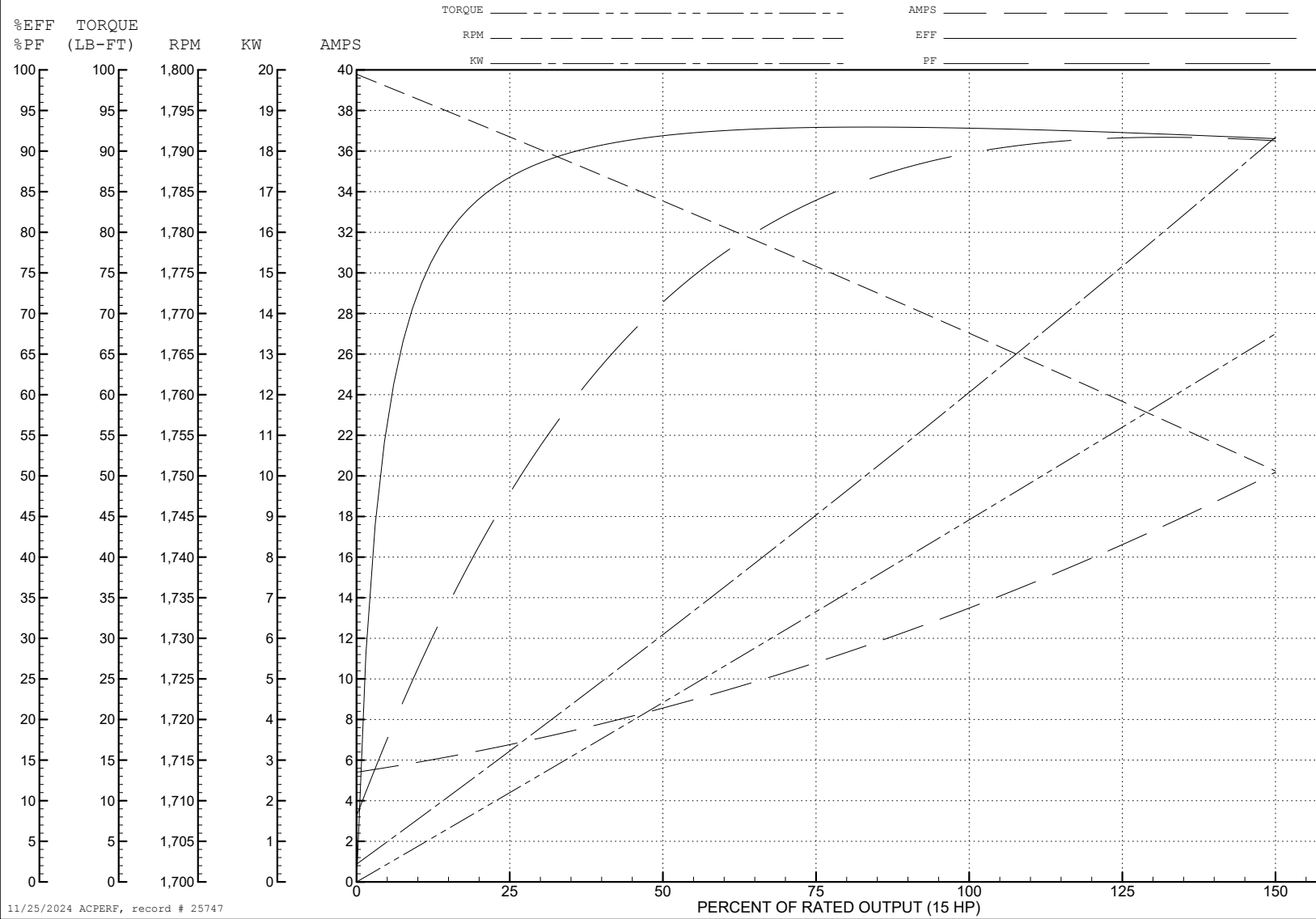
ABB Motors and Mechanical Inc.

WINDING # 39WGx419

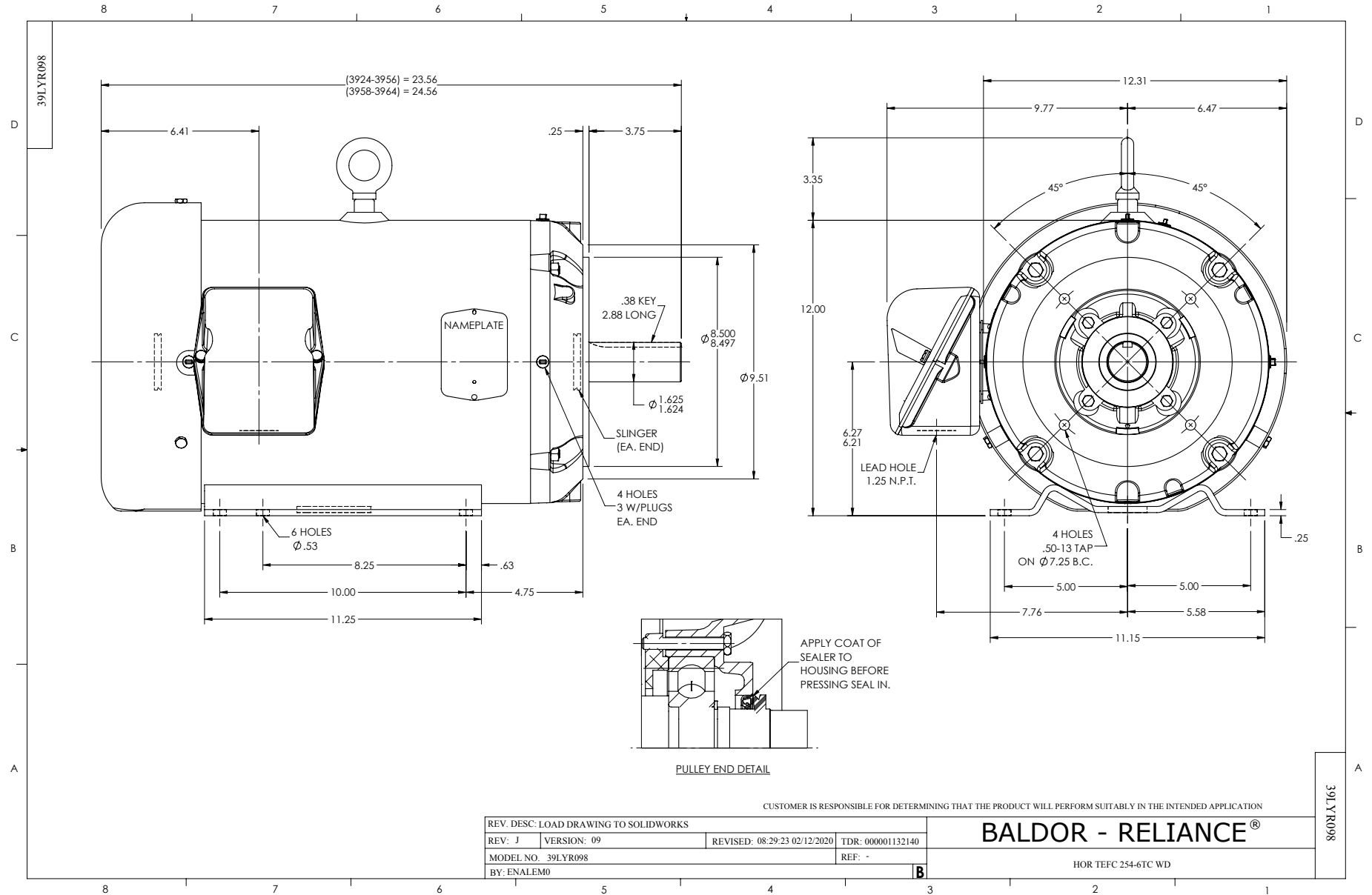
Typical performance - not guaranteed values.

15 HP 3 PH 60 HZ 1765 RPM 575 V 3942M

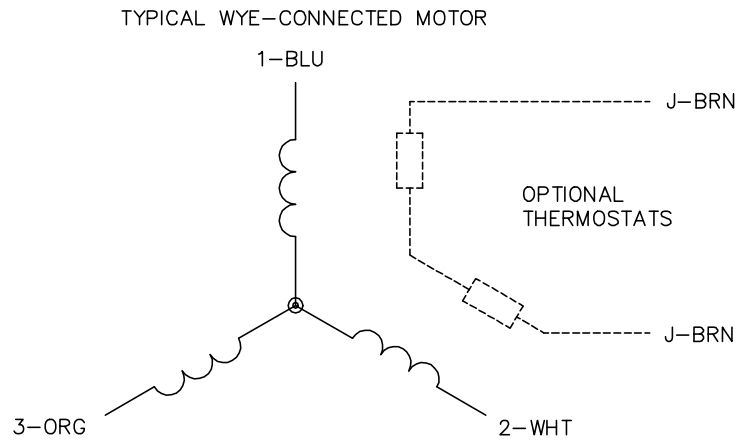
TORQUES (LB-FT): PO=145 PU=76 LR=89.1 LRA=101



11/25/2024 ACPERF, record # 25747



CD0006



NOTES:

1. THREE LEAD MOTOR MAY BE EITHER WYE CONNECTED OR DELTA CONNECTED.
2. INTERCHANGE ANY TWO LINE LEADS TO REVERSE ROTATION.
3. OPTIONAL THERMOSTATS ARE PROVIDED WHEN SPECIFIED.
4. ACTUAL NUMBER OF INTERNAL PARALLEL CIRCUITS MAY VARY.
5. LEAD COLORS ARE OPTIONAL. LEADS MUST BE NUMBERED AS SHOWN.

CD0006

REV. DESC: ADD CLASS CONN00000007		
REV. LTR: E	VERSION: 01	TDR: 000001099922
FILE: \AAA\00005\141	REVISED: 10:24:49 02/19/2019	BY: ENBRIRO
MTL: -	© □	

BALDOR - RELIANCE®

3PH, SV, 3 LEADS, WYE OR DELTA CONNECTED

SH 1 of 1