



Customer information packet

CFSWDL3506

.75HP, 3450RPM, 1PH, 60HZ, 56C, 3516L, TEFC, F1

Class - None

Division - Not Applicable

Specifications

Enclosure	TEFC
Frame	56C
Frame Material	Stainless Steel
Frequency	60.00 Hz
Haz Area Class and Group	None
Haz Area Division	Not Applicable
Motor Letter Type	Cap Start, Induction Run
Output @ Frequency	.750 HP @ 60 HZ
Phase	1
Synchronous Speed @ Frequency	3600 RPM @ 60 HZ
Voltage @ Frequency	115.0 V @ 60 HZ 230.0 V @ 60 HZ
Agency Approvals	CSA UR
Ambient Temperature	40 °C
Auxillary Box	No Auxillary Box
Auxillary Box Lead Termination	None
Base Indicator	Rigid
Bearing Grease Type	Polyrex EM (-20F +300F)
Blower	None
Current @ Voltage	9.200 A @ 115.0 V 4.800 A @ 208.0 V 4.600 A @ 230.0 V
Design Code	N
Drip Cover	No Drip Cover
Duty Rating	CONT
Efficiency @ 100% Load	64.0 %
Electrically Isolated Bearing	Not Electrically Isolated
Feedback Device	NO FEEDBACK
Front Shaft Indicator	None
Heater Indicator	No Heater
High Voltage Full Load Amps	4.6 a

Part detail

Revision	E
Type	AC
Mech. spec.	35E4732
Base	
Status	PRD/A
Elec. spec.	35WGL342
Layout	35LYE4732
Eff. date	08-30-2023
CD Diagram	CD0648
Poles	02
Leads	7#18,0#,0#,0# Y
Proprietary	False
Created date	07-21-2017

Insulation Class	F
Inverter Code	Not Inverter
KVA Code	K
Lifting Lugs	No Lifting Lugs
Locked Bearing Indicator	Locked Bearing
Motor Finish	UNPAINTED
Motor Lead Quantity/Wire Size	@ AWG 7 @ 18 AWG
Motor Lead Termination	Flying Leads
Motor Standards	NEMA
Motor Type	3516L
Mounting Arrangement	F1
Number of Poles	2
Overall Length	13.96 IN
Power Factor	81
Product Family	WD All SD Non-Encapsulated
Pulley End Bearing Type	Sealed Bearing
Pulley Face Code	C-Face
Pulley Shaft Indicator	Standard
Rodent Screen	None
RoHS Status	ROHS COMPLIANT
Service Factor	1.25
Shaft Diameter	0.625 IN
Shaft Ground Indicator	No Shaft Grounding
Shaft Rotation	Reversible
Shaft Slinger Indicator	No Slinger
Speed	3450 rpm
Speed Code	Single Speed
Starting Method	Direct on line
Thermal Device - Bearing	None
Thermal Device - Winding	None
Vibration Sensor Indicator	No Vibration Sensor
Winding Thermal 1	None
Winding Thermal 2	None

Nameplate**NP4427ALG30**

CAT #	CFSWDL3506			WT	33	LBS	
SPEC	35E4732L342G1			ENCL	TEFC		
SER #		CC		IP	69		
HP	.75			NEMA NOM. EFF	64		
VOLTS	115/230						
AMPS	9.2/4.6			PF	81		
RATING	40C AMB-CONT						
RPM	3450						
FRAME	56C	HZ	60	CODE	K	CLASS	F
SER.F.	1.25	SF AMP	11.2/5.6		PH	1	DES N
DE	6205		ODE	6205			
LUBRICATION	POLYREX EM						
						QR	
YR							

Parts list

Part number	Description	Quantity
SA346181	SA 35E4732L342G1	1.000 ea
RA334687	RA 35E4732L342G1	1.000 ea
EC1645B06	ELEC CAP 165V 2.0 X 4.3	1.000 ea
ES5502	115/40A,L ,CV ,165CO,.8*2.2*1.4,4-7-21	1.000 ea
11XW1032G06	10-32 X .38, TAPTITE II, HEX WSHR SLTD U	1.000 ea
35EP1940A05	FRONT TEFC 205 BRG (STAINLESS)	1.000 ea
RM1070A25	O-RING, VITON/FKM .070CS X 6.190ID	1.000 ea
HW4600G01	.984X1.499X.25 VITON SLICK SERIES LIP	1.000 ea
HW4600E99	25 X 42 X 6 AFX SEAL, GRAPHITE INFUSED V	1.000 ea
HW4500S33	1/8 NPT STAINLESS #304 SS PLUG	4.000 ea
HW4500S33	1/8 NPT STAINLESS #304 SS PLUG	4.000 ea
HW5100A05	WVY WSHR F/205 & 304 BRGS	1.000 ea
35EP1935A02	PULLEY 56C/143-5TC ENCL 205 BRG	1.000 ea
RM1070A25	O-RING, VITON/FKM .070CS X 6.190ID	1.000 ea
HW4600G01	.984X1.499X.25 VITON SLICK SERIES LIP	1.000 ea
HW4600E99	25 X 42 X 6 AFX SEAL, GRAPHITE INFUSED V	1.000 ea
RM1070A26	O-RING,4.5MM I.D.X1.5MM C.S. (VITON)	4.000 ea
35FH4005A39	IEC FH NO GREASER DEBURR/CLEAN - SS	1.000 ea
10XN1032FS06	HEX HD CAP SCREW 10-32 X 3/8 SS FOOD SAF	3.000 ea
35CB1510A01G	35 CB LID SINGLE PHASE MACHINED W/ FIPG	1.000 ea
10XN1032FS08	HEX HD CAP SCREW 10-32 X 1/2 SS FOOD SAF	6.000 ea
HW2502D13	SS KEY, 3/16 SQ X 1.375	1.000 ea
HA7000A04	KEY RETAINER 0.625 DIA SHAFTS	1.000 ea
MJ5001A27	32220KN GRAY SEALER *MIN BUY 4 QTS=1GAL	0.005 qt
MJ5004A93	FOOD GRADE (H1 RATED) ANTISEIZE THRD COM	0.005 ea
HA5027A09	DRAIN KIT,(2)HA4002A03 BAGGED W/LABEL	1.000 ea
WD1000A15	3-520132-2 AMP FLAG (4M/RL NON-CANC/NON-	2.000 ea
MJ1000A02	GREASE, POLYREX EM EXXON	0.050 lb
WD5603A02	KIT, CLOSED-END LEAD SPLICE (18-14GA)	1.000 ea
HA7724	CAPACITOR CLAMP & SWITCH BRACKET FOR 35C	1.000 ea
51XW0832A07	8-32 X .44, TAPTITE II, HEX WSHR SLTD SE	2.000 ea

51XN1032A08	10-32 X 0.500 HX WS SL SR ZN	1.000 ea
34FN3002B01	EXTERNAL FAN, PLASTIC, .637/.639 HUB W/	1.000 ea
19XB0818S12	8-18X3/4 HXWS TYB HIGH-LOW	1.000 ea
HA3100FS25	THRUBOLT, 10-32 X 9.500 SS FOOD SAFE	4.000 ea
36PA1000	PKG GRP, PRINT PK1016A06	1.000 ea
MN416A01	TAG-INSTAL-MAINT no wire (2500bx)4/22	1.000 ea
FE-0000016	ZTRG FE ASSEMBLY	1.000 ea
PE-0000010	ZRTG PE ASSEMBLY	1.000 ea

AC Induction Motor Performance Data

Record # 51974

Typical performance - not guaranteed values

Winding: 35WGL342-R001		Type: 3516L		Enclosure: TEFC	
Nameplate Data			230 V, 60 Hz: High Voltage Connection		
Rated Output (HP)	.75		Full Load Torque	1.14 LB-FT	
Volts	115/230		Start Configuration	direct on line	
Full Load Amps	9.2/4.6		Breakdown Torque	2.42 LB-FT	
R.P.M.	3450		Pull-up Torque	2.02 LB-FT	
Hz	60	Phase	1	Locked-rotor Torque	4.59 LB-FT
NEMA Design Code	N	KVA Code	K	Starting Current	29.3 A
Service Factor (S.F.)	1.25		No-load Current	2.68 A	
NEMA Nom. Eff.	64	Power Factor	81	Line-line Res. @ 25°C	3.4258 Ω A Ph 1.1305 Ω B Ph
Rating - Duty	40C AMB-CONT		Temp. Rise @ Rated Load	69°C	
S.F. Amps	11.2/5.6		Temp. Rise @ S.F. Load	92°C	

Load Characteristics 230 V, 60 Hz, 0.75 HP

% of Rated Load	25	50	75	100	125	150	S.F.
Power Factor	48	64	74	81	85	87	85
Efficiency	46.1	59.7	64.7	65.5	64.1	59.7	64.1
Speed	3557.8	3528.3	3494.3	3452.4	3397.8	3316.2	3398
Line amperes	2.84	3.24	3.81	4.59	5.61	7.06	5.61

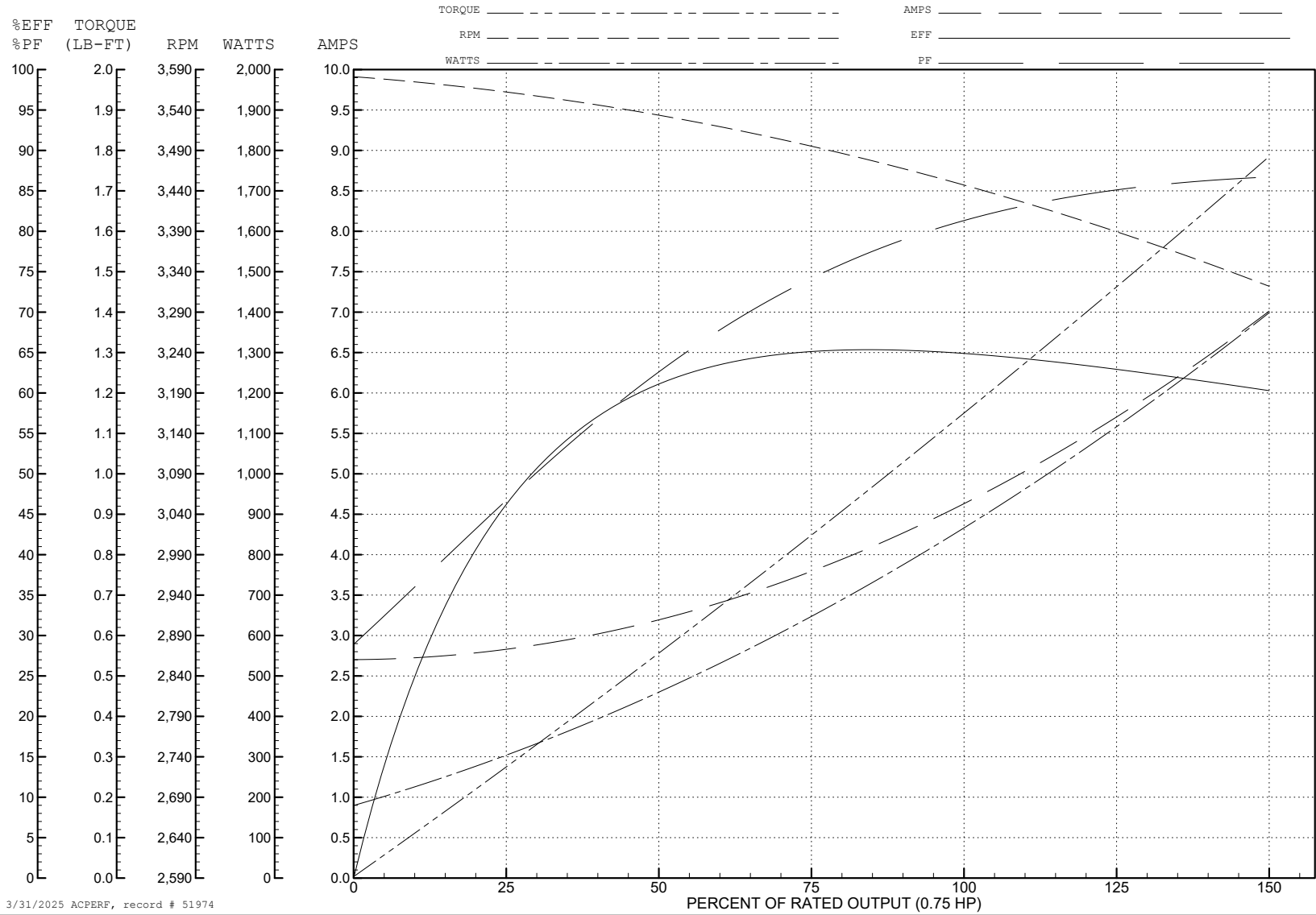
ABB Motors and Mechanical Inc.

WINDING # 35WGL342

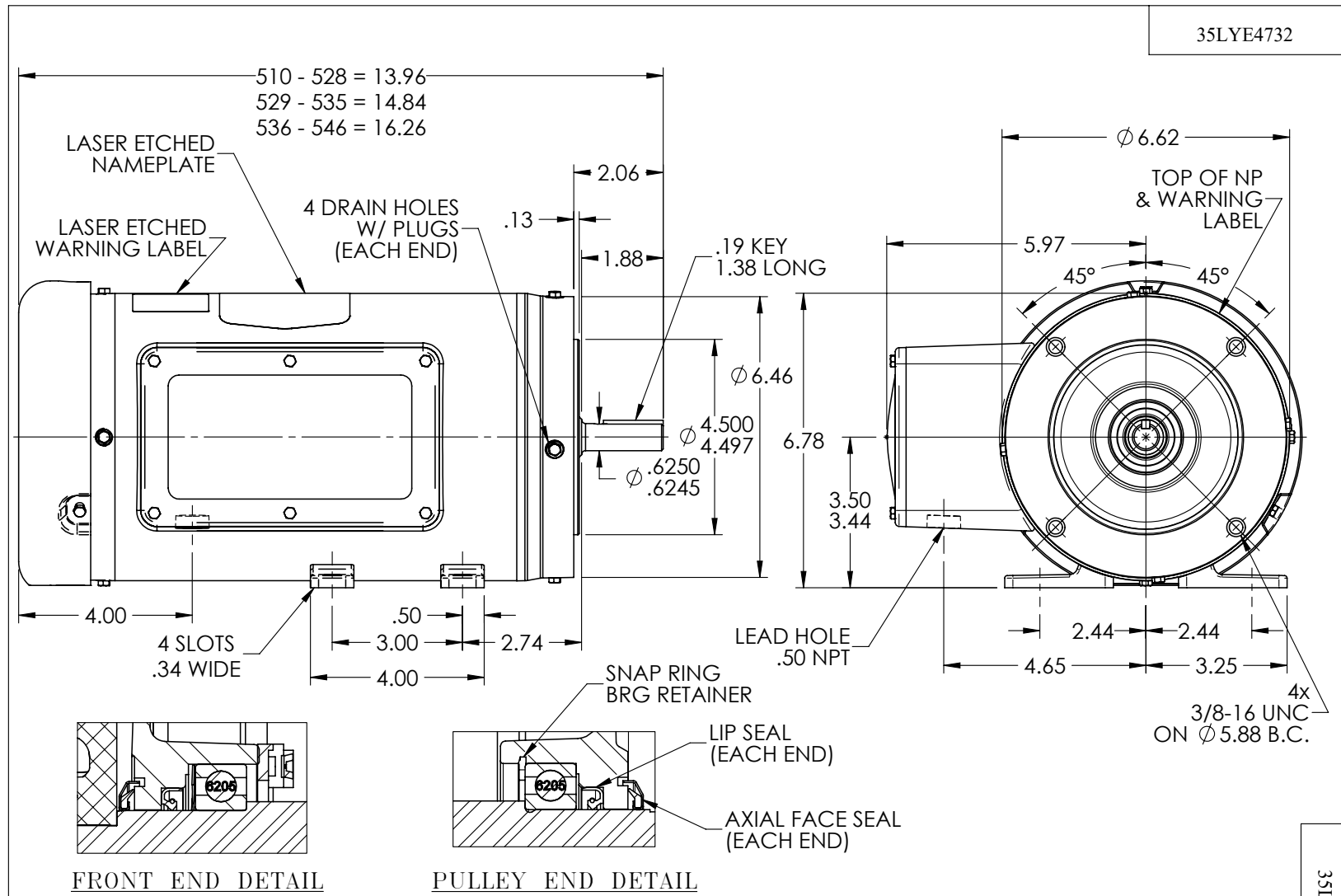
Typical performance - not guaranteed values.

0.75 HP 1 PH 60 HZ 3450 RPM 230 V 3516L

TORQUES (LB-FT): PO=2.42 PU=2.02 LR=4.59 LRA=29.3



3/31/2025 ACPERF, record # 51974



CUSTOMER IS RESPONSIBLE FOR DETERMINING THAT BALDOR'S PRODUCT WILL PERFORM SUITABLY IN THE INTENDED APPLICATION

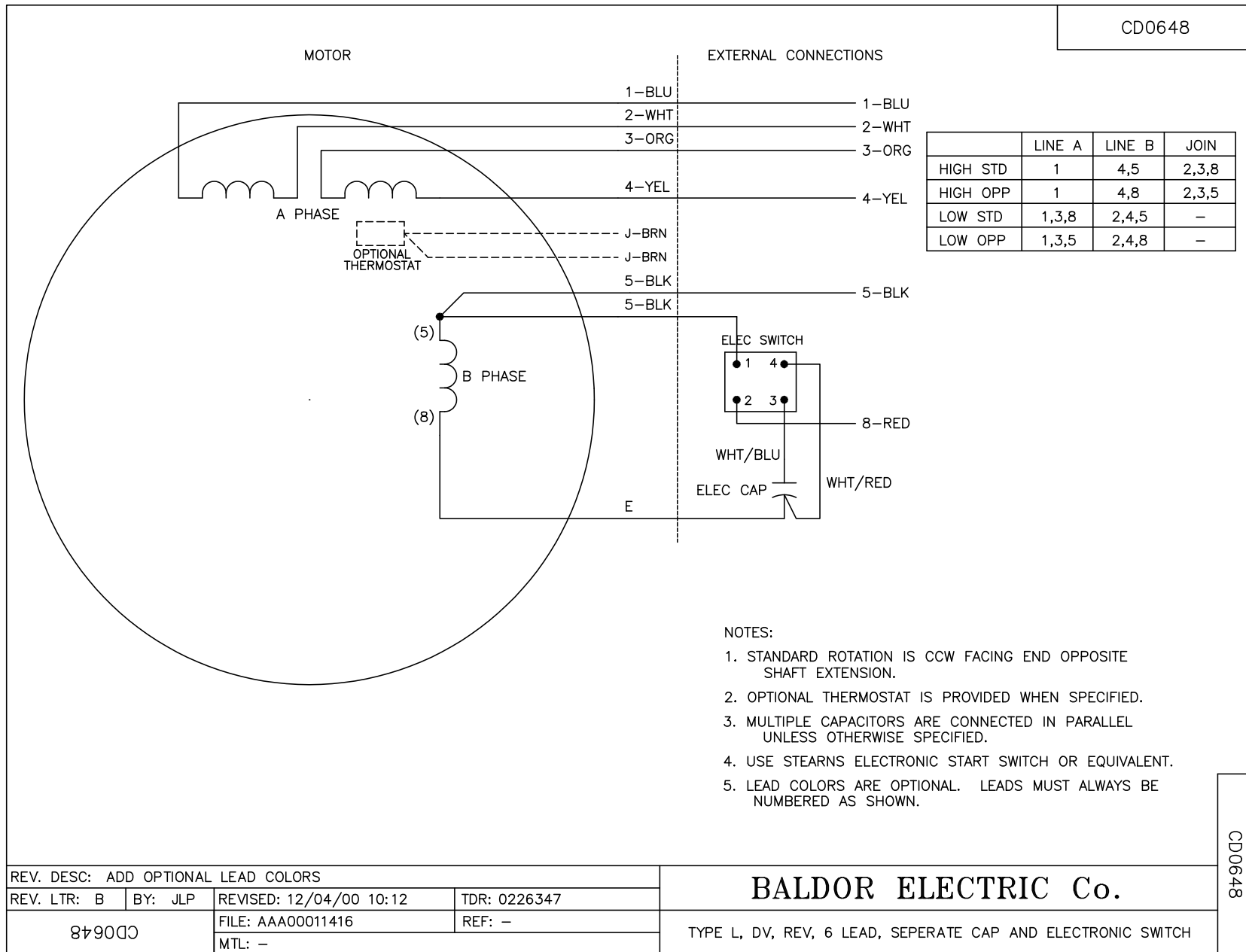
REV. DESC: REMOVE FACE DRAINS & DRAIN FTG; ADD DRAIN PLUG			
REV: A	VERSION: 01	REVISED: 09:24:42 06/14/2023	TDR: 000001202627
35LYE4732		MODEL NO. 35LYE4732	REF: -
		BY: ENFRAJ0	

BALDOR

STD HORZ 56C TEFC 35L WD11/12

35LYE4732

CD0648



NOTES:

1. STANDARD ROTATION IS CCW FACING END OPPOSITE SHAFT EXTENSION.
2. OPTIONAL THERMOSTAT IS PROVIDED WHEN SPECIFIED.
3. MULTIPLE CAPACITORS ARE CONNECTED IN PARALLEL UNLESS OTHERWISE SPECIFIED.
4. USE STEARNS ELECTRONIC START SWITCH OR EQUIVALENT.
5. LEAD COLORS ARE OPTIONAL. LEADS MUST ALWAYS BE NUMBERED AS SHOWN.

CD0648

REV. DESC: ADD OPTIONAL LEAD COLORS			
REV. LTR: B	BY: JLP	REVISED: 12/04/00 10:12	TDR: 0226347
879000		FILE: AAA00011416	REF: -
		MTL: -	

BALDOR ELECTRIC Co.

TYPE L, DV, REV, 6 LEAD, SEPERATE CAP AND ELECTRONIC SWITCH