

BALDOR • RELIANCE

Customer information packet

CFSWDM3613T-5E

5HP, 3500RPM, 3PH, 60HZ, 184TC, 3634M, TEFC, F1

Class - None

Division - Not Applicable

Specifications

Enclosure	TEFC
Frame	184TC
Frame Material	Stainless Steel
Frequency	60.00 Hz
Haz Area Class and Group	None
Haz Area Division	Not Applicable
Motor Letter Type	Three Phase
Output @ Frequency	5.000 HP @ 60 HZ
Phase	3
Synchronous Speed @ Frequency	3600 RPM @ 60 HZ
Voltage @ Frequency	575.0 V @ 60 HZ
Agency Approvals	NEMA PREMIUM CSA UR
Ambient Temperature	40 °C
Auxillary Box	No Auxillary Box
Auxillary Box Lead Termination	None
Base Indicator	Rigid
Bearing Grease Type	Polyrex EM (-20F +300F)
Blower	None
Current @ Voltage	4.500 A @ 575.0 V
Design Code	B
Drip Cover	No Drip Cover
Duty Rating	CONT
Efficiency @ 100% Load	89.5 %
Electrically Isolated Bearing	Not Electrically Isolated
Feedback Device	NO FEEDBACK
Front Face Code	Standard
Front Shaft Indicator	None
Heater Indicator	No Heater
High Voltage Full Load Amps	4.5 a
Insulation Class	H

Part detail

Revision	L
Type	AC
Mech. spec.	36R552
Base	
Status	PRD/A
Elec. spec.	36WGT421
Layout	36LYR552
Eff. date	06-19-2023
CD Diagram	CD0006
Poles	02
Leads	3#16
Proprietary	False
Created date	08-01-2017

Inverter Code	Inverter Ready
KVA Code	L
Lifting Lugs	Standard Lifting Lugs
Locked Bearing Indicator	Locked Bearing
Motor Lead Exit	Ko Box
Motor Lead Quantity/Wire Size	3 @ 16 AWG
Motor Lead Termination	Flying Leads
Motor Standards	NEMA
Motor Type	3634M
Mounting Arrangement	F1
Number of Poles	2
Overall Length	17.39 IN
Power Factor	95
Product Family	WD All SS Encapsulated
Pulley End Bearing Type	Sealed Bearing
Pulley Face Code	C-Face
Pulley Shaft Indicator	Standard
Rodent Screen	None
RoHS Status	ROHS COMPLIANT
Service Factor	1.15
Shaft Diameter	1.125 IN
Shaft Extension Location	Pulley End
Shaft Ground Indicator	No Shaft Grounding
Shaft Rotation	Reversible
Shaft Slinger Indicator	Shaft Slinger
Speed	3500 rpm
Speed Code	Single Speed
Starting Method	Direct on line
Thermal Device - Bearing	None
Thermal Device - Winding	None
Vibration Sensor Indicator	No Vibration Sensor
Winding Thermal 1	None
Winding Thermal 2	None

Parts list

Part number	Description	Quantity
SA346216	SA 36R552T421G2	1.000 ea
RA334726	RA 36R552T421G2	1.000 ea
36FN3000C01SP	EXFN, PLASTIC, 5.25 OD, .912 ID	1.000 ea
35CB1017A02	5/36 MID SECT - 3 PC. CONDUIT BOX 3/4 N	1.000 ea
RM1070A81	O-RING, -043 VITON/FKM .070CS X 3.489ID	1.000 ea
HA3424S48	STUD - M6X1.0 THDS X 3.00"	1.000 ea
11XW1032G08	10-32 X .50, TAPTITE II, HEX WSHR SLTD U	1.000 ea
HW3001B01	BRASS CUP WASHER, FOR #10 SCREW	1.000 ea
36EP1920A02	FREP TEFC 206 BRG WD11/12 (STAINLESS)	1.000 ea
RM1070A42	O-RING,(#70-7.239) FLOUROELASTOMER COMPO	1.000 ea
HW4600G02	30 X 47 X 8 LIP SEAL, GRAPHITE INFUSED V	1.000 ea
HW4600F25	30 X 48 X 4.5 AFX SEAL, GRAPHITE INFUSED	1.000 ea
HW4500S33	1/8 NPT STAINLESS #304 SS PLUG	4.000 ea
HW4500S33	1/8 NPT STAINLESS #304 SS PLUG	4.000 ea
HW5100A06	W2420-025 WVY WSHR (WB)	1.000 ea
36EP1925A02	PUEP 182-4TC ENCL 206 BRG WD11/12 STAINL	1.000 ea
RM1070A42	O-RING,(#70-7.239) FLOUROELASTOMER COMPO	1.000 ea
HW4600G02	30 X 47 X 8 LIP SEAL, GRAPHITE INFUSED V	1.000 ea
HW4600F25	30 X 48 X 4.5 AFX SEAL, GRAPHITE INFUSED	1.000 ea
RM1070A14	O-RING, -010 VITON/FKM .070CS X .239ID	4.000 ea
11XB1214S16	12-14X1.00 HXWSSLD TYP B STAINLESS	1.000 ea
36FH4007	FAN COVER #304 STAINLESS W/OUT GREASER	1.000 ea
10XN1032FS06	HEX HD CAP SCREW 10-32 X 3/8 SS FOOD SAF	3.000 ea
35CB1513A01	35-36-37 MACH. LID - 3 PC. CONDUIT BOX	1.000 ea
RM1070A81	O-RING, -043 VITON/FKM .070CS X 3.489ID	1.000 ea
HW2502E16	#303 SS,SQ KEY 1/4 X 1.750	1.000 ea
HA7000A02	KEY RETAINER RING, 1 1/8 DIA, 1 3/8 DIA	1.000 ea
MJ5001A27	32220KN GRAY SEALER *MIN BUY 4 QTS=1GAL	0.005 qt
MJ5004A93	FOOD GRADE (H1 RATED) ANTISEIZE THRD COM	0.005 ea
HA1025A21	WSHR,FELT .125" THK	1.000 ea
HA5027A09	DRAIN KIT,(2)HA4002A03 BAGGED W/LABEL	1.000 ea

MJ1000A02	GREASE, POLYREX EM EXXON	0.050 lb
WD5603A02	KIT, CLOSED-END LEAD SPLICE (18-14GA)	1.000 ea
HA3101FS54	THRUBOLT, 1/4-20 X 11.750 SS FOOD SAFE	4.000 ea
36PA1001	PKG GRP, PRINT PK1017A06	1.000 ea
MN416A01	TAG-INSTAL-MAINT no wire (2500bx)4/22	1.000 ea
FE-0000016	ZTRG FE ASSEMBLY	1.000 ea
PE-0000010	ZRTG PE ASSEMBLY	1.000 ea

AC Induction Motor Performance Data

Record # 29658

Typical performance - not guaranteed values

Winding: 36WGT421-R001		Type: 3634M		Enclosure: TEFC			
Nameplate Data			575 V, 60 Hz: Single Voltage Motor				
Rated Output (HP)	5	Full Load Torque	7.49 LB-FT				
Volts	575	Start Configuration	direct on line				
Full Load Amps	4.5	Breakdown Torque	40.7 LB-FT				
R.P.M.	3500	Pull-up Torque	29.3 LB-FT				
Hz	60 Phase	3	Locked-rotor Torque	32.5 LB-FT			
NEMA Design Code	B	KVA Code	L	Starting Current	52 A		
Service Factor (S.F.)	1.15		No-load Current	1.44 A			
NEMA Nom. Eff.	89.5	Power Factor	95	Line-line Res. @ 25°C	3.05 Ω		
Rating - Duty	40C AMB-CONT		Temp. Rise @ Rated Load	67°C			
S.F. Amps			Temp. Rise @ S.F. Load	81°C			
			Locked-rotor Power Factor	44			
			Rotor inertia	0.152 LB-FT ²			

Load Characteristics 575 V, 60 Hz, 5 HP

% of Rated Load	25	50	75	100	125	150	S.F.
Power Factor	60	81	88	92	92	93	92
Efficiency	83.9	89	90	89.7	88.9	87.5	89.2
Speed	3568	3540	3512	3483	3451	3417	3464
Line amperes	1.9	2.61	3.56	4.5	5.61	6.72	5.17

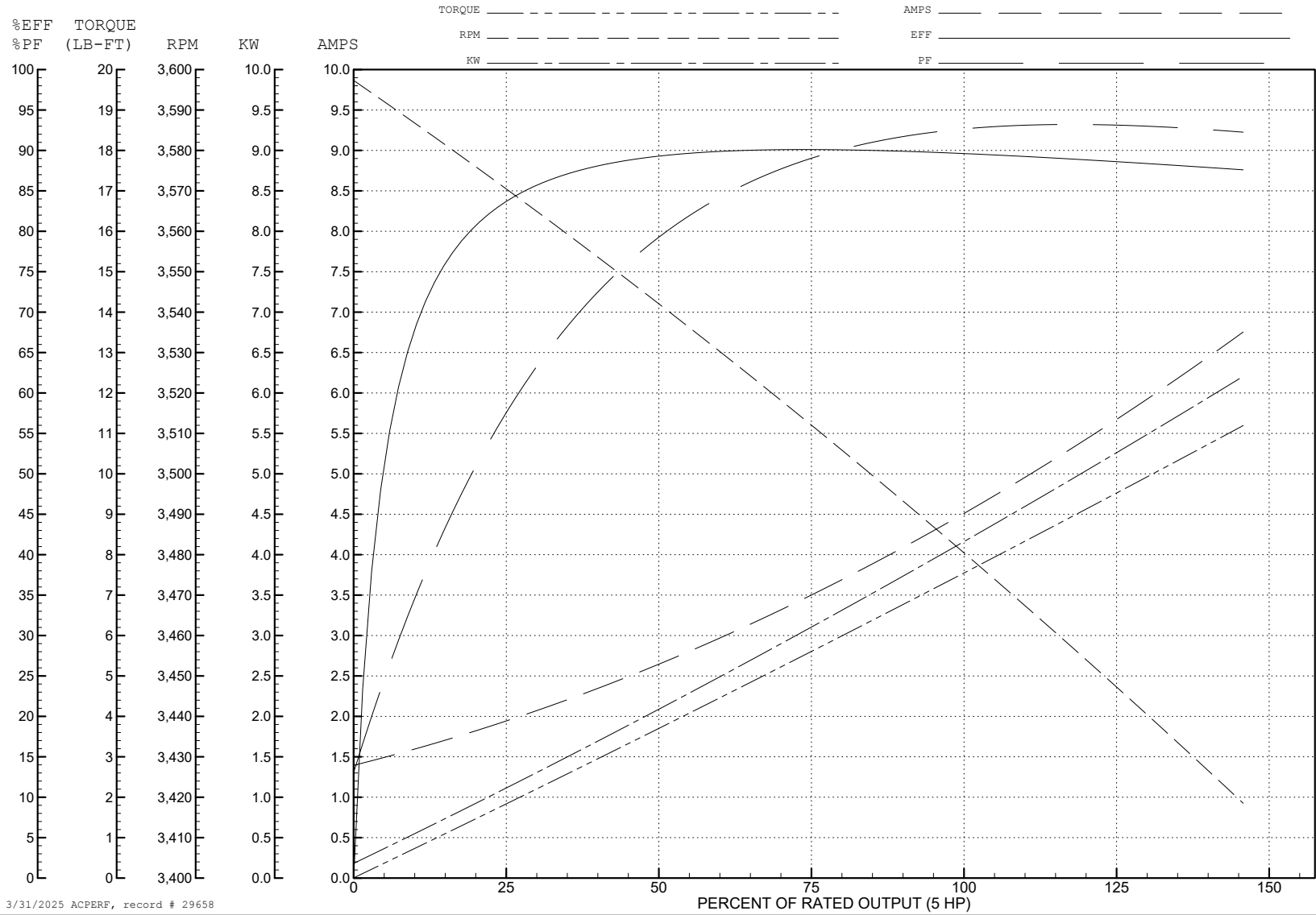
ABB Motors and Mechanical Inc.

WINDING # 36WGT421

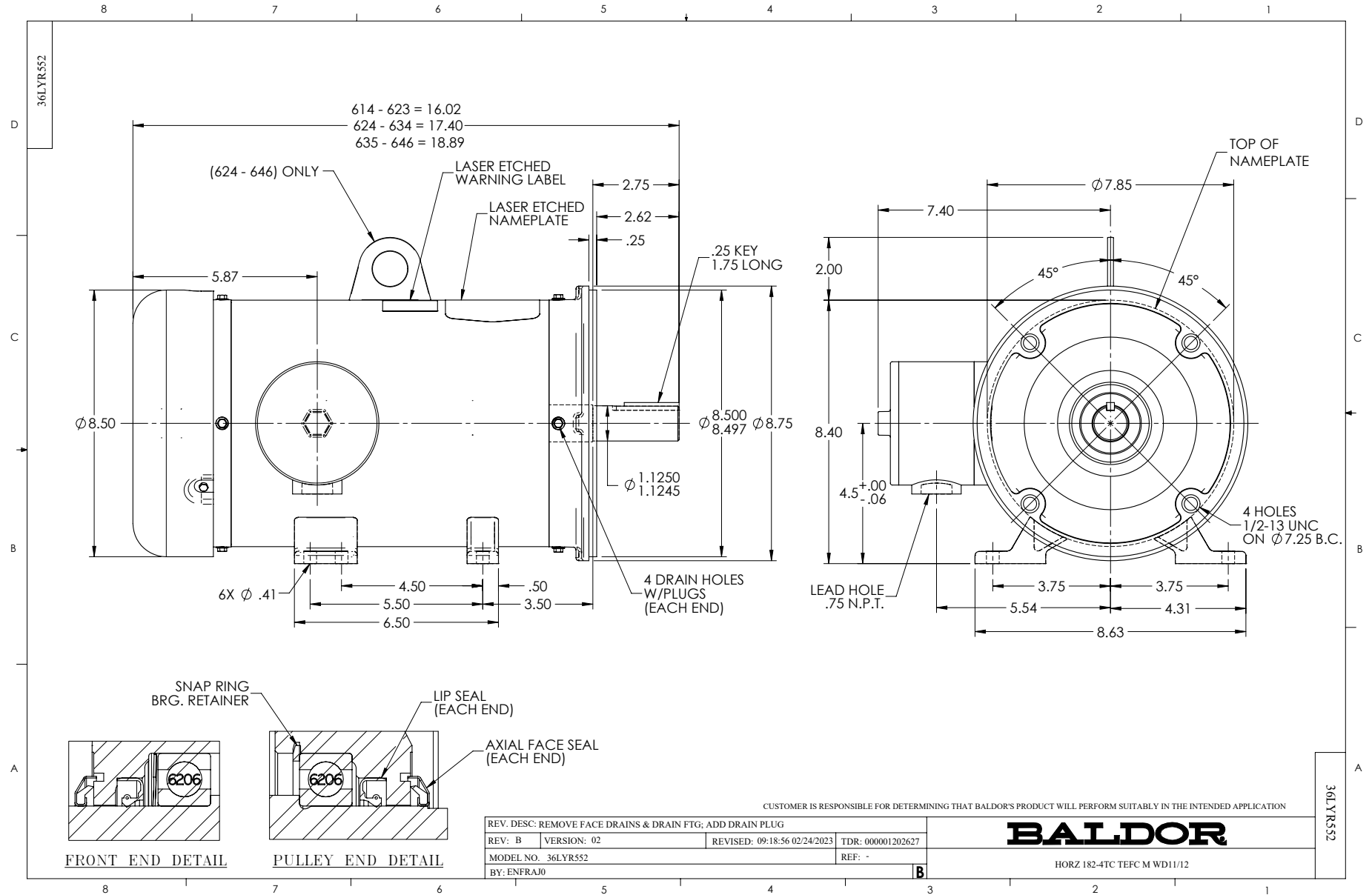
5 HP 3 PH 60 HZ 3500 RPM 575 V 3634M

Typical performance - not guaranteed values.

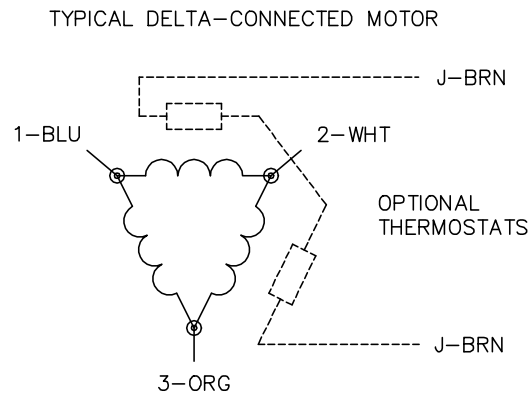
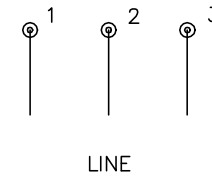
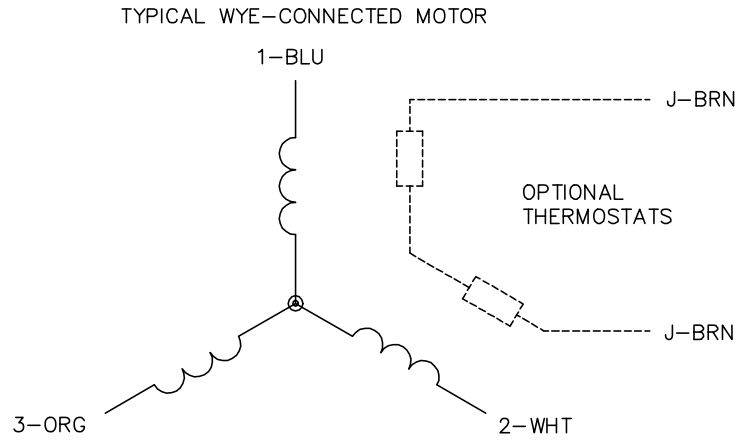
TORQUES (LB-FT): PO=40.7 PU=29.3 LR=32.5 LRA=52



3/31/2025 ACPERF, record # 29658



CD0006



NOTES:

1. THREE LEAD MOTOR MAY BE EITHER WYE CONNECTED OR DELTA CONNECTED.
2. INTERCHANGE ANY TWO LINE LEADS TO REVERSE ROTATION.
3. OPTIONAL THERMOSTATS ARE PROVIDED WHEN SPECIFIED.
4. ACTUAL NUMBER OF INTERNAL PARALLEL CIRCUITS MAY VARY.
5. LEAD COLORS ARE OPTIONAL. LEADS MUST BE NUMBERED AS SHOWN.

CD0006

REV. DESC: ADD CLASS CONN00000007		
REV. LTR: E	VERSION: 01	TDR: 000001099922
FILE: \AAA\00005\141	REVISED: 10:24:49 02/19/2019	BY: ENBRIRO
MTL: -	© □	

BALDOR - RELIANCE®

3PH, SV, 3 LEADS, WYE OR DELTA CONNECTED

SH 1 of 1