



Customer information packet

CXT31254T-4

125HP, 1785RPM, 3PH, 60HZ, 444TC, A44076M, TEF

Class - CLI GP A,B,C,D

Division - Division II

Specifications

Enclosure	TEFC
Frame	444TC
Frame Material	Iron
Frequency	60.00 Hz
Haz Area Class and Group	CLI GP A,B,C,D
Haz Area Division	Division II
Motor Letter Type	Three Phase
Output @ Frequency	125.000 HP @ 60 HZ
Phase	3
Synchronous Speed @ Frequency	1800 RPM @ 60 HZ
Voltage @ Frequency	460.0 V @ 60 HZ
Agency Approvals	UR NEMA_PREMIUM NEMA PREMIUM CCSAUSEEV
Ambient Temperature	40 °C
Auxillary Box	No Auxillary Box
Base Indicator	Rigid
Bearing Grease Type	Polyrex EM (-20F +300F)
Current @ Voltage	144.000 A @ 460.0 V
Design Code	B
Drip Cover	No Drip Cover
Duty Rating	CONT
Efficiency @ 100% Load	95.4 %
Feedback Device	NO FEEDBACK
Heater Indicator	No Heater
High Voltage Full Load Amps	144.0 a
Insulation Class	F
Inverter Code	Inverter Ready
IP Rating	NONE
KVA Code	G
Max Speed	3600 rpm

Part detail

Revision	B
Type	AC
Mech. spec.	
Base	
Status	PRD/A
Elec. spec.	A44WG3870
Layout	617427-802
Eff. date	07-08-2024
CD Diagram	416820-036
Poles	04
Leads	3#1/0
Proprietary	False
Created date	12-18-2020

Motor Lead Quantity/Wire Size	3 @ 1/0 AWG
Motor Standards	NEMA
Motor Type	A44076M
Mounting Arrangement	F1
Number of Poles	4
Overall Length	44.97 IN
Power Factor	85
Product Family	General Industrial
Pulley End Bearing Type	Ball
Pulley Face Code	C-Face
Service Factor	1.15
Shaft Diameter	3.375 IN
Shaft Ground Indicator	No Shaft Grounding
Shaft Rotation	Reversible
Shaft Slinger Indicator	Shaft Slinger
Speed	1785 rpm
Speed Code	Single Speed
Starting Method	Direct on line
Thermal Device - Bearing	None
Thermal Device - Winding	None

Nameplate

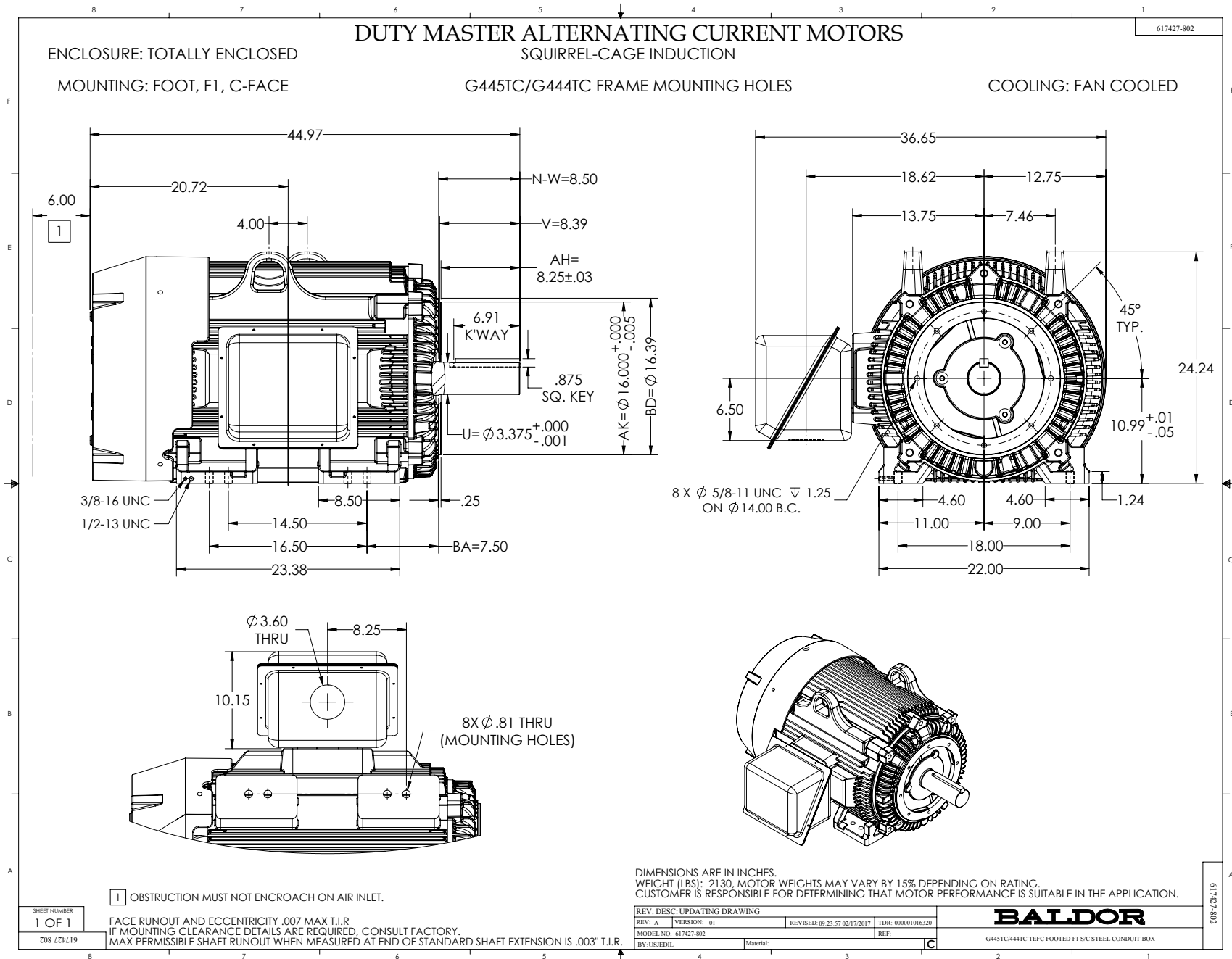
NP4152LUA

CAT #	CXT31254T-4			SER				CC	010A		
SPEC	A44-9361-3870			RATING	40C AMB-CONT						
HZ	VOLTS		AMPS	RPM	HP	CODE	SF	DES	PF	NEMA NOM. EFF	
60	460		144	1785	125	G	1.15	B	85 %	95.4 %	
									%	%	
PH	3	CL	F	MAX RPM	3600	MAX CORR KVAR	27				
BRG	DE	6318	ODE	6318	ENCL	TEFC	FR	444TC	IP	54	
GREASE	POLYREX EM						MTR WT	LBS			
	CL I DIV 2 GRPS A,B,C,D				CL I ZONE 2 GRPS			IIA,IIB,IIC	TEMP T	200 C	
INV READY	CT	6:1	HZ	10-60	VT	0-60	HZ	1000:1	CHP	60-90 HZ	1:1.5
INV TEMP CL	T3	C	USABLE AT	50HZ 100HP 380V 140A					1.0SF		
SFA 164											

Parts list

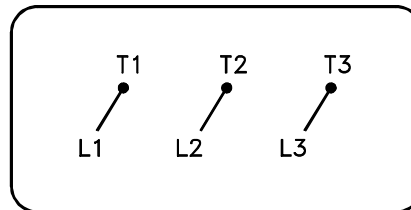
Part number	Description	Quantity
SA388938	SA A44-9361-3870	1.000 ea
RA379303	RA A44-9361-3870	1.000 ea
421948051	LABEL, MYLAR	1.000 ea
000692000VD	LABEL WARNING	1.000 ea
LB1449	DIV-2/NEC WARNING LABEL	1.000 ea
NP4152LUA	SS CP XT CLI DIV2 UR CSA-C US-EEV NEMA P	1.000 ea
412118006A	DRAIN	2.000 ea
034690005AB	PPLG 3/4 PLATED	1.000 ea
089490099A	G28 BRKT 089490098WCA KB	1.000 ea
415072001B	CLAMP	1.000 ea
083199126RA	G28 MOLDED FAN COVER W/BAFFLE ASSEMBLY	1.000 ea
034180014DA	KEY 1/4X1/4X1-3/4 L	1.000 ea
078548001R	FAN KB 234/150 (84) 400	1.000 ea
004824015A	GREASE POLYREX EM	1.160 lb
032018020FK	HHCS 3/4-10X2-1/2 PLTD.	4.000 ea
032018008CK	HHCS 3/8-16X1L PLATED	4.000 ea
032018030DK	HHCS 1/2-13X3-3/4 PLTD.	3.000 ea
034631002AB	BUSH 1/4 TO 1/8 PLTD.	1.000 ea
415096002A	CPLG 1/8 HEX TYPE	1.000 ea
415045002A	SLGR	1.000 ea
410700004A	WSHR	1.000 ea
035000001G	GREASE RELIEF FITTING, ALEMITE 317400	1.000 ea
034017014AB	LCKW 3/8 STD. PLATED	4.000 ea
034530064AB	P/NIP 1/8 X 8" L Pipe Nipple	1.000 ea
034530064BB	P/NIP 1/4X8 PLATED	1.000 ea
032620016LA	SOCKET SET SCREW-449	3.000 ea
702623013A	THERMAL BARRIER -- G28 -- BRACKET MTD	1.000 ea
032018004BK	HHCS 5/16-18X1/2 PLATED	3.000 ea
034017013AB	LCKW 5/16 STD. PLATED	3.000 ea
034600001AA	BUSH 1/4TO1/8 BLACK	1.000 ea
089490106R	G28 C-FACE BRKT MACH-6318 089490105WCA	1.000 ea

032018024FK	HHCS 3/4-10X3 PLTD.	5.000 ea
032018032DK	HHCS 1/2-13X4L PLATED	3.000 ea
415045002A	SLGR	1.000 ea
035000001G	GREASE RELIEF FITTING, ALEMITE 317400	1.000 ea
702658001A	CONDUIT BOX, E440	1.000 ea
702658002A	+C/BOX CVR, PAINTED 440	1.000 ea
406056008A	GASKET, TERBD 440	1.000 ea
418153001A	GASK 440	1.000 ea
418150003A	GREASE FITTING CAP	1.000 ea
032018008DK	HHCS 1/2-13X1 PLATED	4.000 ea
035000001A	ALFTG 1/8" 1610-BL	1.000 ea
415000103D	T/LUG #4AWG-1/OAWG W/HOLE FOR .250 BOLT	1.000 ea
033512006LB	HHTTS 1/4-20X3/4 PLTD.	8.000 ea
406099000A	PLUG - FAN COVER 320-440	1.000 ea
033512004LB	HHTTS 1/4-20X1/2 PLTD.	1.000 ea
035000001A	ALFTG 1/8" 1610-BL	1.000 ea
418150003A	GREASE FITTING CAP	1.000 ea
MG1025L14	WILKOFAS, 776.14, GRUNDFOS BLACK	0.440 ga
033775004EA	DRSCR #6-1/4 304 S.S.	2.000 ea
034180054KA	7/8 SQ X 6.75 KEY	1.000 ea
604797045	STD. 400 FRAME SKID	1.000 ea
032510024D	CARRIAGE BOLT - 444	2.000 ea
034001016AB	WSHR .562ID 1.375OD .109	2.000 ea
034001014AB	FLAT WASHER 3/8"PLATED	2.000 ea
033300014AC	HEX NUT, SHIPPING - 400	2.000 ea
604799003C	PLASTIC BAG 42X32X46	1.000 ea



416820-036

A-C MOTOR
CONNECTION DIAGRAM
STANDARD 3 LEAD CONNECTED



(N.P. 1575-BA)

416820-036

REV. DESC: LOADED TO BUS, C/R 335225		
REV. LTR: -	VERSION: 00	TDR: 000000538207
FILE: \MGA\00000\682	REVISED: 11:54:06 04/30/2010	
MTL: -	BY: RAGRA	

BALDOR

CONN DIAG - STANDARD 3 LEAD
SH 1 of 1