

BALDOR • RELIANCE

Customer information packet

D1153

.75HP, 1750RPM, DC, 56, 3428D, TEFC, F1

Class - None

Division -

Specifications

Armature Voltage	115 V
Base Speed	1750 rpm
Enclosure	TEFC
Frame	56
Frame Material	Steel
Haz Area Class and Group	None
Output Power	0.750 HP
Agency Approvals	CSA UR
Ambient Temperature	40 °C
Armature Current	6.6 a
Armature Inertia	6.552 lb-ft ²
Base Indicator	Rigid
Bearing Grease Type	Polyrex EM (-20F +300F)
Drip Cover	No Drip Cover
Duty Rating	CONT
Feedback Device	NO FEEDBACK
Field Winding Type	COMPOUND
Heater Indicator	No Heater
Insulation Class	F
Lifting Lugs	No Lifting Lugs
Motor Lead Exit	Ko Box
Motor Lead Quantity/Wire Size	2 @ 14 AWG 2 @ 18 AWG
Motor Lead Termination	Flying Leads
Motor Standards	NEMA
Mounting Arrangement	F1
Overall Length	14.04 IN
Product Family	WP Below Decks Marine Duty
Pulley End Bearing Type	Sealed Bearing
RoHS Status	ROHS COMPLIANT
Service Factor	1.00

Part detail

Revision	X
Type	DC
Mech. spec.	34-6121
Base	
Status	PRD/A
Elec. spec.	34WG3117
Layout	34LY6121
Eff. date	10-25-2024
CD Diagram	CD0862B01
Poles	00
Leads	
Proprietary	False
Created date	01-01-0001

Shaft Diameter	0.625 IN
Shaft Extension Location	Pulley End
Shaft Ground Indicator	No Shaft Grounding
Shaft Rotation	Reversible
Shaft Slinger Indicator	Shaft Slinger

Nameplate

NP2801L			
CAT.NO.	D1153		
SPEC.	34-6121-3117		
HP	.75	ENCL	TEFC
RPM	1750		
FRAME	56	TYPE	3428D
ARM V	115	ARM A	6.6
FLD V		FLD A	
INSUL	F	AMB.	40
DUTY	CONT	SUPPLY	A
BRG/DE	6203	BRG/ODE	6203
BRUSHES	2/BP5000H03		
	IEEE 45	BLANK	
SER.			
BLANK	--		
APRV-CSA	APRV-UL		

Parts list

Part number	Description	Quantity
SA006737	SA 34-6121-3117	1.000 ea
AA003371	AA 34-6121-3117	1.000 ea
BP5000H03SP	BRUSH ASSY, GRADE H619	1.000 ea
11XW1032G06	10-32 X .38, TAPTITE II, HEX WSHR SLTD U	1.000 ea
HW3001B02	BRASS CUP WASHER W/GROUND SYMBOL TAB,	1.000 ea
34EP3103A06	FR ENDPLATE MACH 34DC F-1 MTG W/.50 N.P.	1.000 ea
WD4100A109	PLUG STIMPSON D3550	1.000 ea
HW5100A03	WAVY WASHER (W1543-017)	1.000 ea
34EP3110A06	PU ENDPLATE, MACH	1.000 ea
HA1005A05SP	SLINGER, OD 1.50, ID .659, 203 BRG	1.000 ea
BP5201A10SP	BRUSH HOLDER ASSY W/BP4509A01 & B	1.000 ea
80XN1032J03	10-32 X 3/16 SET SCREW, HEX SOC, CUP PT	2.000 ea
34FN3002A01SP	EXTERNAL FAN, PLASTIC, .637/.639 HUB W/	1.000 ea
34FH4002A03SP	IEC FH NO GREASER W/.88 DIA SHAFT HOLE,	1.000 ea
51XW1032A06	10-32 X .38, TAPTITE II, HEX WSHR SLTD S	3.000 ea
WD4100A81	CAPLUG BPF-7/8, FOR .86-.88 HOLE	1.000 ea
34CB4504SP	CONDUIT BOX LID, STAMPED	1.000 ea
34GS1014	GASKET, CONDUIT BOX LID BLACK NEOPRENE	1.000 ea
51XW0832A07	8-32 X .44, TAPTITE II, HEX WSHR SLTD SE	2.000 ea
HW2501D13	KEY, 3/16 SQ X 1.375	1.000 ea
HA7000A04	KEY RETAINER 0.625 DIA SHAFTS	1.000 ea
MG2000A17	RUST INHIBITOR PART # SRPO #20	0.001 ga
MJ5004A05	#242-21 LOCTITE GENERAL PURPOSE MED. STR	0.001 ea
MJ5001A27	32220KN GRAY SEALER *MIN BUY 4 QTS=1GAL	0.001 qt
WD4102A07	STRAIN RELIEF - MICRO PLASTIC #23MP07W20	1.000 ea
MG1050G01	CELEROL MEDIUM CHARCOAL METALLIC GRAY	0.014 ga
85XU0407S04	4X1/4 U DRIVE PIN STAINLESS	2.000 ea
HA3100A14	THRUBOLT 10-32 X 7.875	4.000 ea
MN416A01	TAG-INSTAL-MAINT no wire (2500bx)4/22	1.000 ea
LB1624	COMBINED WARNING LABEL, ISO/ANSI PICTOGR	1.000 ea
27PA1001	PKG GRP, PRINT PK1027A06	1.000 ea

LC0862	DC -- COMPOUND WOUND MOTOR CONNECTION LA	1.000 ea
NP2801L	SS DC UL CSA REV MTG	1.000 ea

DC Motor Performance Data

Record # 235

Typical performance - not guaranteed values

Winding: 34WG3117-R001		Type: 3428D	Enclosure: TEFC
Nameplate Data		General Characteristics	
Rated Output (HP)	0.75	Armature Resistance @ 25°C	1.299 Ω
R.P.M.	1750	Series Winding Resistance @ 25°C	0.3834 Ω
Armature Volts	115	Shunt Winding Resistance @ 25°C	194.54 Ω
Armature Amps	6.6	Armature Inductance	14.5 mH
Field Volts			
Field Amps			
Rating - Duty	40C AMB-CONT		
Power Supply Code	K		

Load Characteristics at 125 Armature Volts, 125 Field Volts, 0.64 Field Amps

Load Point	1	2	3	4	5	6	7
Armature Amps	0.62	1.98	3.29	4.66	5.99	7.34	8.69
R.P.M.	2144	2098	2026	1960	1894	1842	1782
Torque (LB-FT)	0	0.56	1.13	1.69	2.25	2.81	3.38

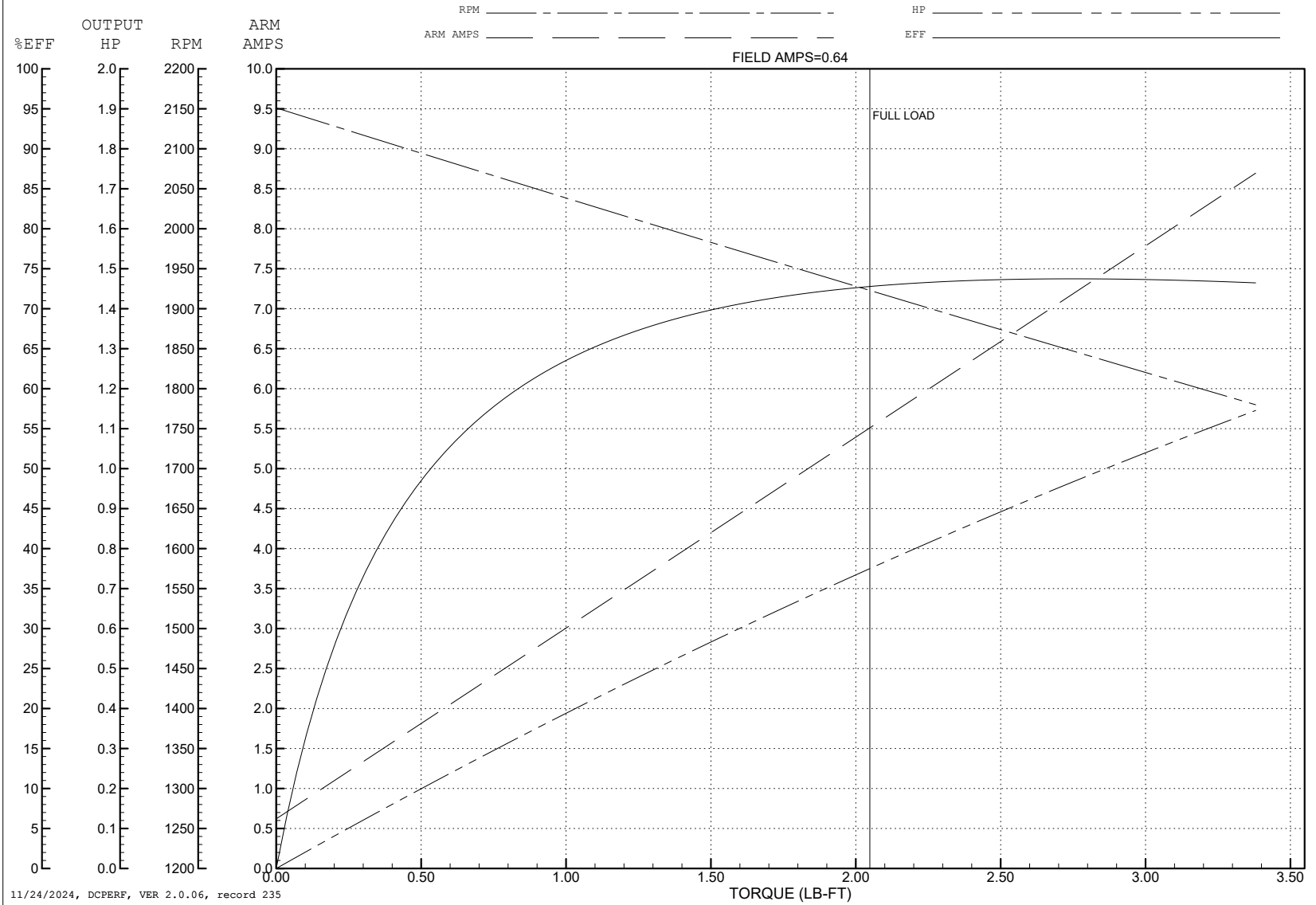
ABB Motors and Mechanical Inc.

WINDING # 34WG3117

Typical performance - not guaranteed values.

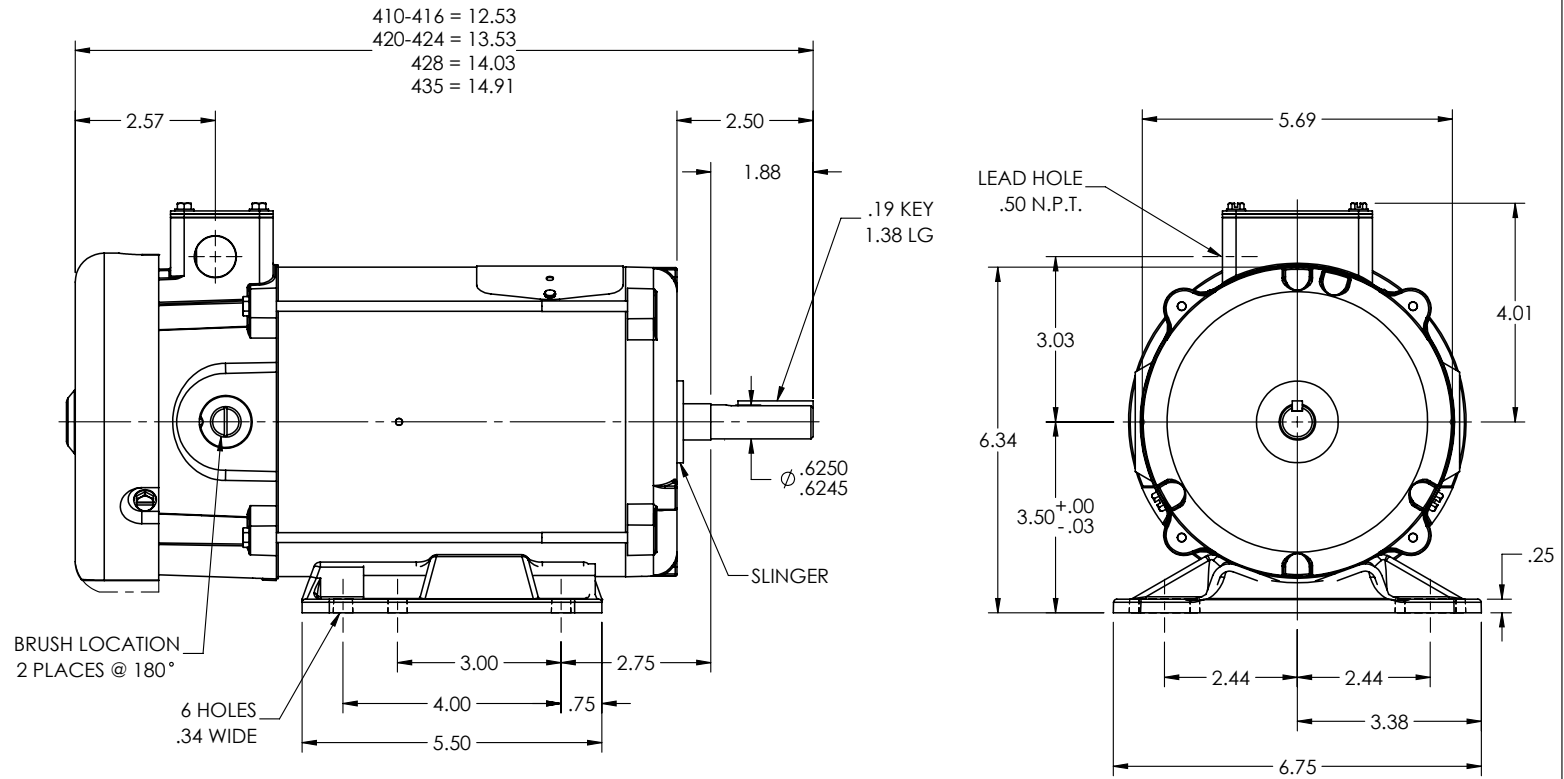
0.75 HP DC 1750 RPM 115 V 3428D

ENCL: TEFC DUTY: CONT CL: F



11/24/2024, DCPERF, VER 2.0.06, record 235

34LY6121



CUSTOMER IS RESPONSIBLE FOR DETERMINING THAT THE PRODUCT WILL PERFORM SUITABLY IN THE INTENDED APPLICATION

REV. DESC: LOAD TO SOLIDWORKS - REV D

REV: E	VERSION: 01	REVISED: 08:22:18 12/22/2022	TDR: 000001201165
--------	-------------	------------------------------	-------------------

34LY6121	MODEL NO. 34LY6121	REF: -
	BY: ENFRAJ0	

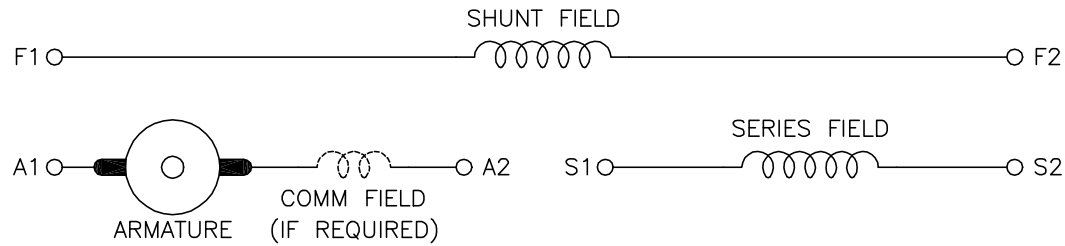
BALDOR - RELIANCE®

STD. HORZ 34DC NEMA 56 TEFC S/P 14-2 WEATHERPROOF

34LY6121

CD0862B01

COMPOUND WOUND



DIRECTION OF ROTATION			
CWDE		CCWDE	
POS TERM (+)	NEG TERM (-)	POS TERM (+)	NEG TERM (-)
A1	S2	A2	S2
F1	F2	F1	F2
CONNECT A2 & S1		CONNECT A1 & S1	

NOTES:

- LIMIT STARTING INRUSH CURRENT TO NOT MORE THAN 3 TIMES RATED AMPERES BY ENERGIZING THE FULL SHUNT FIELD BEFORE BRINGING THE ARMATURE VOLTAGE UP SLOWLY OR IN STEPS.
- OPTIONAL FIELD REOSTAT MAY BE CONNECTED IN SERIES WITH THE SHUNT FIELD.
- OPTIONAL THERMOSTAT LEADS ARE MARKED J,J.

REV. DESC: NEW, REPLACE CD0862			
REV. LTR: -	BY: JLP	REVISED: 16:10:51 11/03/2004	TDR: 347796
CD0862B01		FILE: AAA00121482	REF: CD0862B01
		MTL: -	

BALDOR ELECTRIC Co.

DC CONNECTION DIAGRAM, COMPOUND FIELD, 6 LEAD

CD0862B01