

**BALDOR • RELIANCE**

---

# Customer information packet

## ECP844252T-4

250HP, 3575RPM, 3PH, 60HZ, 449TS, TEFC, FOOT,  
Class - CLI GP A,B,C,D  
Division - Division II

## Specifications

Enclosure	TEFC
Frame	449TS
Frame Material	Iron
Frequency	60.00 Hz
Haz Area Class and Group	CLI GP A,B,C,D
Haz Area Division	Division II
Motor Letter Type	Three Phase
Output @ Frequency	250.000 HP @ 60 HZ
Phase	3
Synchronous Speed @ Frequency	3600 RPM @ 60 HZ
Voltage @ Frequency	460.0 V @ 60 HZ
Agency Approvals	UR CCSA US
Ambient Temperature	40 °C
Auxillary Box	No Auxillary Box
Base Indicator	Rigid
Bearing Grease Type	Polyrex EM (-20F +300F)
Constant Torque Speed Range	30-60
Current @ Voltage	266.000 A @ 460.0 V
Design Code	B
Drip Cover	No Drip Cover
Duty Rating	CONT
Efficiency @ 100% Load	96.2 %
Enclosure Modification	841
Feedback Device	NO FEEDBACK
Haz Area Temp Code	T3
Heater Indicator	No Heater
High Voltage Full Load Amps	266.0 a
Insulation Class	F
Inverter Code	Inverter Ready
IP Rating	IP56
KVA Code	G

## Part detail

Revision	F
Type	AC
Mech. spec.	
Base	
Status	PRD/A
Elec. spec.	A44WG1505
Layout	617434-664
Eff. date	04-01-2024
CD Diagram	416820-036
Poles	02
Leads	3#2/0 (02 per group)
Proprietary	False
Created date	12-12-2018

<b>Lifting Lugs</b>	No Lifting Lugs
<b>Motor Lead Quantity/Wire Size</b>	6 @ 2/0 AWG
<b>Motor Standards</b>	None
<b>Motor Type</b>	A44128M
<b>Mounting Arrangement</b>	F1
<b>No Load Current</b>	46.6 a
<b>Number of Poles</b>	2
<b>Overall Length</b>	49.72 IN
<b>Power Factor</b>	91
<b>Pulley End Bearing Type</b>	Ball
<b>Pulley Face Code</b>	Standard
<b>Service Factor</b>	1.15
<b>Shaft Diameter</b>	2.375 IN
<b>Shaft Ground Indicator</b>	No Shaft Grounding
<b>Shaft Rotation</b>	Phase Seq-Std Rot (CCWODE)
<b>Shaft Slinger Indicator</b>	No Slinger
<b>Speed</b>	3570 rpm
<b>Speed Code</b>	Single Speed
<b>Starting Method</b>	Direct on line
<b>Thermal Device - Bearing</b>	None
<b>Thermal Device - Winding</b>	None

**Nameplate**

**NP4566**

<b>CAT NO</b>	ECP844252T-4	<b>SPEC NO.</b>	A44-5001-1505						
<b>HP</b>	250	<b>AMPS</b>	266	<b>VOLTS</b>	460	<b>DESIGN</b>	B		
<b>FRAME SIZE</b>	449TS	<b>RPM</b>	3570	<b>HZ</b>	60	<b>AMB</b>	40	<b>SF</b>	1.15
<b>D.E. BRG.DATA</b>	6313	<b>O.D.E. BRG.DATA</b>	6313	<b>PH</b>	3	<b>DUTY</b>	CONT	<b>INSUL.CLASS</b>	F
<b>D.E. BRG.</b>	65BC03J30X	<b>TYPE</b>	ENCL	<b>TEFC</b>	CODE	G			
<b>O.D.E. BRG.</b>	65BC03J30X	<b>POWER FACTOR</b>	91	<b>NEMA-NOM-EFFICIENCY</b>	96.2				
<b>3/4 LOAD EFF.</b>	96.6	<b>IP</b>	56	<b>MAX CORR KVAR</b>	23.0	<b>GUARANTEED EFFICIENCY</b>	95.4		
<b>TEMP CODE</b>	T3	<b>TEMP =</b>	200						
<b>CHP HZ</b>	60-75	<b>CT HZ</b>	30-60	<b>VT HZ</b>	0-60				
<b>INVERTER-TEMP-CODE</b>	T3								
<b>SER.NO.</b>		<b>MOTOR WEIGHT</b>							

---

**000613007EX**

---

<b>CAT NO</b>	ECP844252T-4	<b>SPEC NO.</b>	A44-5001-1505
<b>NO. ROTOR BARS</b>	40	<b>GREASE TYPE</b>	POLYREX EM
<b>NO. SLOTS</b>	48	<b>NL AMPS AT RATED VOLTAGE</b>	46.6
<b>5 YEAR WARRANTY</b>		<b>WINDING RES @25 C</b>	.0117
<b>MFG. DATE</b>		<b>SER.NO</b>	

---

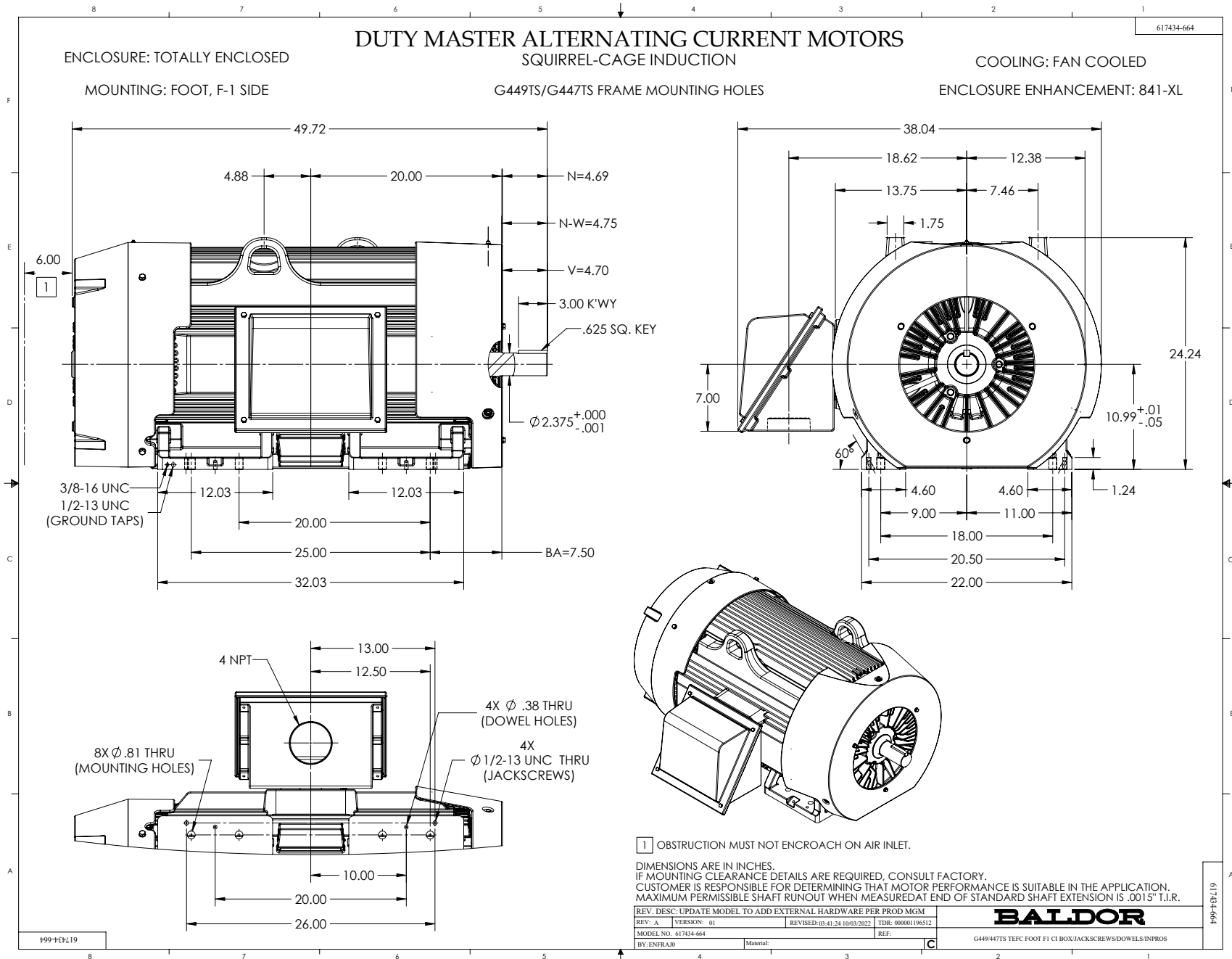
## Parts list

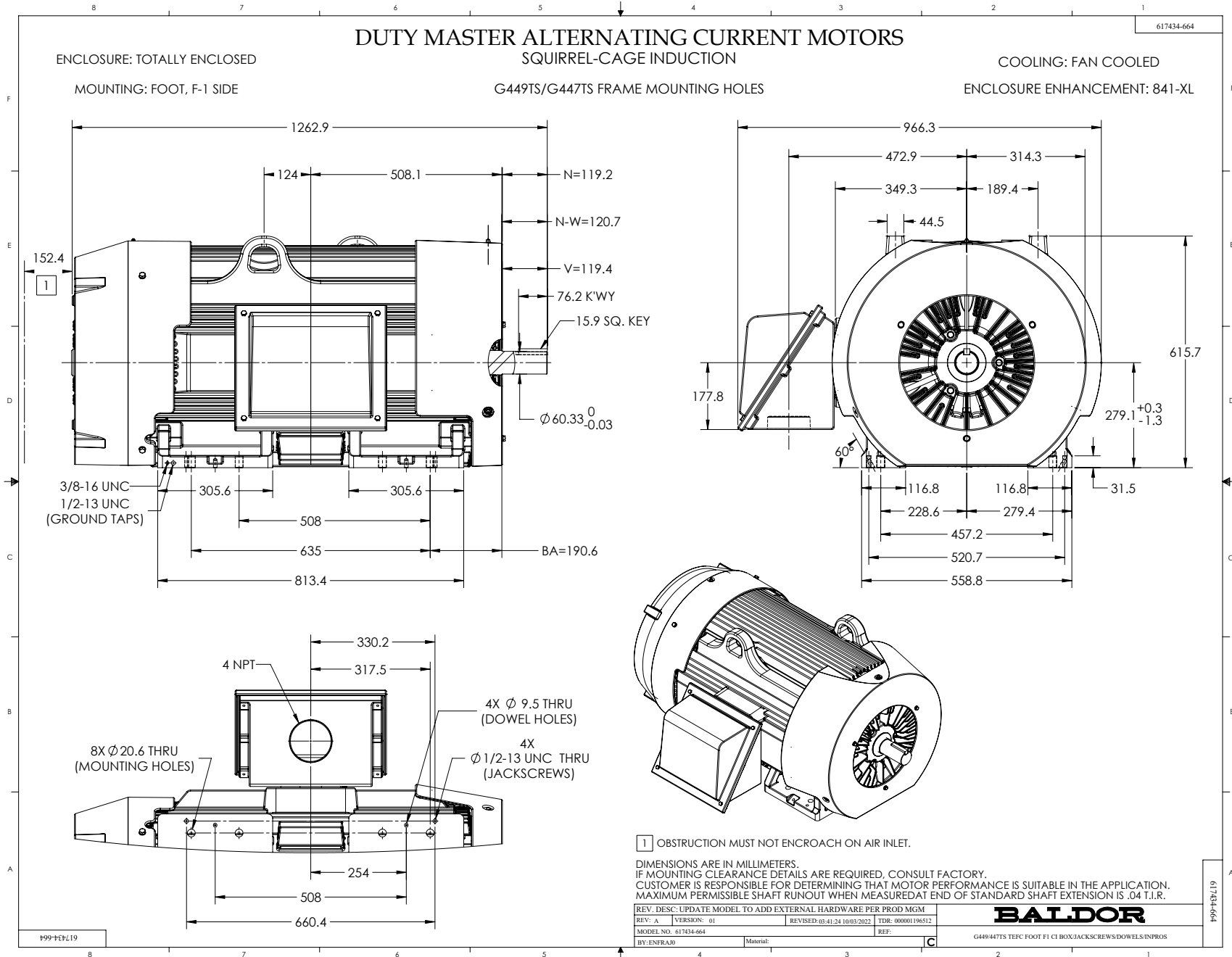
Part number	Description	Quantity
SA364338	SA A44-5001-1505	1.000 ea
RA353662	RA A44-5001-1505	1.000 ea
604797056	400-447 FRAME 60 X 42	1.000 ea
000613006PU	N/P (RELEASE QTY 10,000) UL CSA LABEL	1.000 ea
032510026D	CARRIAGE BOLT - 440	2.000 ea
034001014AB	FLAT WASHER 3/8"PLATED	2.000 ea
NP4566	SS INV IEEEE841-2021,CLI DIV2,CURUS-E,CSA	1.000 ea
000613007EX	SS IEEE 841 EMBOSSED AUXILIARY NAMEPLATE	1.000 ea
034001016AB	WSHR .562ID 1.375OD .109	2.000 ea
000692000FF	N/P	1.000 ea
033300014AC	HEX NUT, SHIPPING - 400	2.000 ea
000692000JP	N/P	1.000 ea
604799003C	PLASTIC BAG 42X32X46	1.000 ea
000692000VD	LABEL WARNING	1.000 ea
000692000VH	N/P (RELEASE 1000 PCS)	1.000 ea
034690005AB	PPLG 3/4 PLATED	1.000 ea
035000001G	GREASE RELIEF FITTING, ALEMITE 317400	1.000 ea
004824015A	GREASE POLYREX EM	0.544 lb
032018008CK	HHCS 3/8-16X1L PLATED	4.000 ea
032018020FK	HHCS 3/4-10X2-1/2 PLTD.	4.000 ea
032018028CK	HHCS 3/8-16X3-1/2 PLTD.	3.000 ea
032620016LA	SOCKET SET SCREW-449	3.000 ea
034017014AB	LCKW 3/8 STD. PLATED	4.000 ea
034180014DA	KEY 1/4X1/4X1-3/4 L	1.000 ea
034530072AB	P/NIP 1/8X9"L Threaded both ends	1.000 ea
034530072BB	PIPE NIPPLE,DE - 440-BS	1.000 ea
034600001AA	BUSH 1/4TO1/8 BLACK	1.000 ea
034630002AB	CPLG 1/4" PLATED	1.000 ea
034690005AB	PPLG 3/4 PLATED	2.000 ea
083199082RA	G28 SHORT FAN COVER W/BAFFLE ASSEMBLY	1.000 ea
089490097C	BRKT,DE	1.000 ea

410700004F	WSHR	1.000 ea
415028079E	INPRO SEAL,,625 WIDE,313 BRG	1.000 ea
415072001B	CLAMP	1.000 ea
415096002A	CPLG 1/8 HEX TYPE	1.000 ea
423709011C	WASHER	3.000 ea
702675001D	FAN 250-440	1.000 ea
032018004BK	HHCS 5/16-18X1/2 PLATED	3.000 ea
032018006BK	HHCS 5/16-18X3/4 PLATED	3.000 ea
032018020FK	HHCS 3/4-10X2-1/2 PLTD.	4.000 ea
032018028CK	HHCS 3/8-16X3-1/2 PLTD.	3.000 ea
034017013AB	LCKW 5/16 STD. PLATED	3.000 ea
415915007K	GASK, 26" LAC	1.000 ea
034530072AB	P/NIP 1/8X9"L Threaded both ends	1.000 ea
034530072BB	PIPE NIPPLE,DE - 440-BS	1.000 ea
034600001AA	BUSH 1/4TO1/8 BLACK	1.000 ea
034630002AB	CPLG 1/4" PLATED	1.000 ea
035000001G	GREASE RELIEF FITTING, ALEMITE 317400	1.000 ea
089490097C	BRKT,DE	1.000 ea
415028079E	INPRO SEAL,,625 WIDE,313 BRG	1.000 ea
415096002A	CPLG 1/8 HEX TYPE	1.000 ea
423709011C	WASHER	3.000 ea
702623022A	G28 AIR DEFLECTOR DRIVE END -- PLASTIC	1.000 ea
702623012A	THERMAL BARRIER, G28	1.000 ea
032018008BK	HHCS 5/16-18X1L PLATED	4.000 ea
032018008DK	HHCS 1/2-13X1 PLATED	4.000 ea
032018005DL	1/2-13 X 5/8 SILICON BRONZE HHCS	1.000 ea
035000001A	ALFTG 1/8" 1610-BL	1.000 ea
035000001A	ALFTG 1/8" 1610-BL	1.000 ea
067053014A	GASK 440	1.000 ea
076870000BA	CONDUIT BOX - 440 - 1/2-13 GROUND	1.000 ea
076871000A	+CBOX CVR BLKT - 449	1.000 ea
406056007A	GASKET, 440	1.000 ea
406099000A	PLUG - FAN COVER 320-440	1.000 ea
415000115H	T/LUG #2AWG-4/0AWG	1.000 ea

418150003A	GREASE FITTING CAP	1.000 ea
418150003A	GREASE FITTING CAP	1.000 ea
033775004EA	DRSCR #6-1/4 304 S.S.	2.000 ea
034180024HA	KEY 5/8X5/8X3 L	1.000 ea
MG1025N19	WILKO 778.50 BLUE GREEN - 55 GAL DRUMS	0.500 ga
004824003CBY	WILKO PAINT 060.02 - ACTIVATOR	0.094 ga
MG1500G03-5	LACQUER PRIMER, GRAY	0.094 ga
421948051	LABEL, MYLAR	1.000 ea
LB1449	DIV-2/NEC WARNING LABEL	1.000 ea
412118006A	DRAIN	2.000 ea

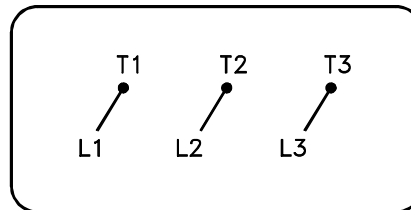






416820-036

A-C MOTOR  
CONNECTION DIAGRAM  
STANDARD 3 LEAD CONNECTED



(N.P. 1575-BA)

416820-036

REV. DESC: LOADED TO BUS, C/R 335225		
REV. LTR: -	VERSION: 00	TDR: 000000538207
FILE: \MGA\00000\682	REVISED: 11:54:06 04/30/2010	
MTL: -	BY: RAGRA	

**BALDOR**

CONN DIAG - STANDARD 3 LEAD  
SH 1 of 1