

**BALDOR • RELIANCE**

---

# Customer information packet

## ECS101M0H10FF4

10HP, 1800RPM, 3PH, 60HZ, 215T, TEFC, N

Class - None

Division - Not Applicable

Copyright © All product information within this document is subject to ABB Motors and Mechanical Inc. copyright © protection, unless otherwise noted.

11/26/2024 10:46:15 PM

## Specifications

Enclosure	TEFC
Frame	215T
Frame Material	Steel
Frequency	60.00 Hz
Haz Area Class and Group	None
Haz Area Division	Not Applicable
Motor Letter Type	Three Phase
Phase	3
Agency Approvals	UL WEEE
Auxillary Box	No Auxillary Box
Auxillary Box Lead Termination	None
Base Indicator	Rigid
Bearing Grease Type	Polyrex EM (-20F +300F)
Blower	None
Constant Torque Speed Range	6
Design Code	A
Drip Cover	No Drip Cover
Duty Rating	CONT
Electrically Isolated Bearing	Not Electrically Isolated
Feedback Device	NO FEEDBACK
Front Shaft Indicator	None
Heater Indicator	No Heater
Insulation Class	F
Inverter Code	Inverter Duty
IP Rating	NONE
Lifting Lugs	Standard Lifting Lugs
Locked Bearing Indicator	Locked Bearing
Motor Lead Quantity/Wire Size	9 @ 14 AWG
Motor Lead Termination	Flying Leads
Motor Standards	NEMA
Motor Type	3740B

## Part detail

Revision	W
Type	AC
Mech. spec.	37Q435
Base	
Status	PRD/A
Elec. spec.	37WGL001
Layout	37LYQ435
Eff. date	09-19-2024
CD Diagram	CD0005
Poles	04
Leads	9#14 Y
Proprietary	False
Created date	11-27-2018

<b>Mounting Arrangement</b>	F1
<b>Number of Poles</b>	4
<b>Overall Length</b>	19.02 IN
<b>Product Family</b>	General Purpose
<b>Pulley End Bearing Type</b>	Ball
<b>Pulley Face Code</b>	Standard
<b>Pulley Shaft Indicator</b>	Standard
<b>Rodent Screen</b>	None
<b>RoHS Status</b>	ROHS COMPLIANT
<b>Shaft Diameter</b>	1.375 IN
<b>Shaft Ground Indicator</b>	Shaft Grounding
<b>Shaft Rotation</b>	Reversible
<b>Shaft Slinger Indicator</b>	No Slinger
<b>Speed Code</b>	Single Speed
<b>Starting Method</b>	INVERTER SPECIAL
<b>Thermal Device - Bearing</b>	None
<b>Thermal Device - Winding</b>	None
<b>Vibration Sensor Indicator</b>	No Vibration Sensor
<b>Winding Thermal 1</b>	None
<b>Winding Thermal 2</b>	None

**Nameplate**

<b>NP3968A01A01</b>									
<b>CAT.NO.</b>	ECS101M0H10FF4								
<b>SPEC.</b>	37Q435L001G1								
<b>FRAME</b>	215T		<b>ENCL.</b>	TEFC	<b>IP</b>	54			
<b>HP</b>	10	40	<b>C AMB</b>		<b>CONT</b>				
<b>NOM. EFF.</b>	94.8%	<b>PF</b>	93.7%	<b>SF</b>	1.50				
<b>VOLTS</b>	230/460		<b>FLA</b>	22.4/11.2					
<b>RPM</b>	1800		<b>RPM-MAX</b>	3000					
<b>HZ</b>	60	<b>PH.</b>	3	<b>CLASS</b>	F				
<b>BEMF (V)</b>	116/231		<b>RS (OHMS)</b>	0.23/0.93					
<b>LD (MH)</b>	5.8/23.2		<b>LQ (MH)</b>	19/75.9					
<b>VPWM</b>	<b>CHP</b>	60	<b>TO</b>	100					
<b>CT</b>	6	<b>TO</b>	60	<b>VT</b>	1	<b>TO</b>	100		
<b>MATCHED INV</b>	ACS380-04XX-[N/A]/17A0-4								
<b>DE</b>	6307		<b>ODE</b>	6206					
<b>SERIAL #</b>									

## Parts list

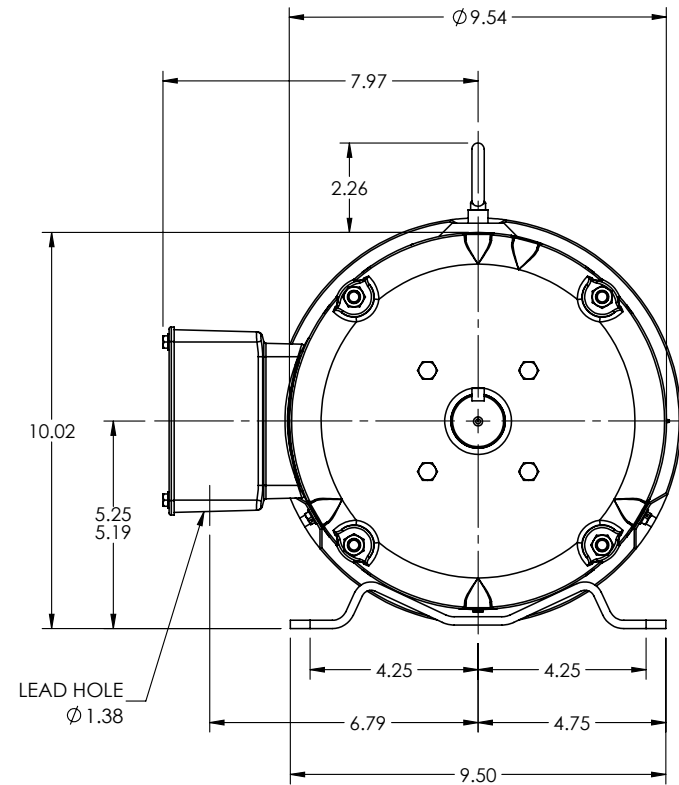
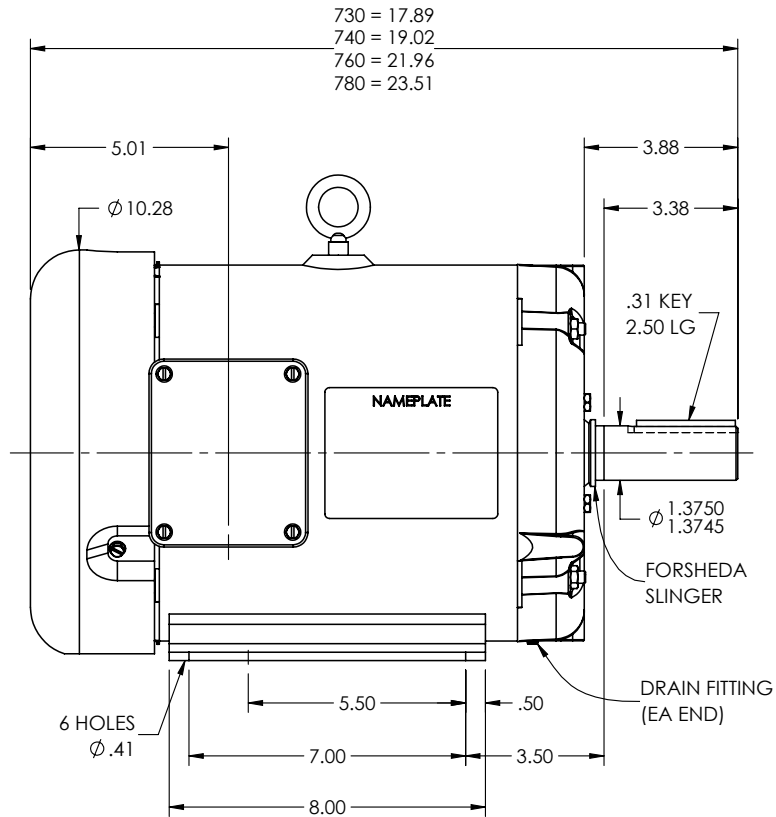
Part number	Description	Quantity
SA363512	SA 37Q435L001G1	1.000 ea
RA352792	RA 37Q435L001G1	1.000 ea
HW3200A01	3/8-16X3/4 EYEBOLT WELDED F/S	1.000 ea
37CB3006	37 CB CASTING W/1.38 LEAD HOLE @ 6:00	1.000 ea
37GS1002	1/8" NEOPRENE GASKET, CONDUIT BOX	1.000 ea
51XW2520A12	.25-20 X .75, TAPTITE II, HEX WSHR SLTD	2.000 ea
11XW1032G06	10-32 X .38, TAPTITE II, HEX WSHR SLTD U	1.000 ea
37EP3101A04	FR ENDPLATE, MACH	1.000 ea
HA4067A01	PUSH IN DRAIN FITTING (BLACK)	1.000 ea
HW5100A06	W2420-025 WVY WSHR (WB)	1.000 ea
37EP3100B32	PU EP 307 LOCK BRG, DRAIN, W/O GRSR	1.000 ea
10XN2520A28	1/4-20X 1 3/4 HEX HD	4.000 ea
HW4600C51	31X39X7.5MM FACE SEAL FOR 1.375 DIA. SH	1.000 ea
XY3118A12	5/16-18 HEX NUT DIRECTIONAL SERRATION	4.000 ea
HA4067A01	PUSH IN DRAIN FITTING (BLACK)	1.000 ea
07FH4007A07	IEC FH NO GRSR, NOTCH @ 6:00 & 3 F/C HOL	1.000 ea
51XW1032A06	10-32 X .38, TAPTITE II, HEX WSHR SLTD S	3.000 ea
37CB4516	LIPPED LID FOR 37 FRAME NEC KOBX	1.000 ea
37GS1008A01	37 GS FOR CB LID - BLACK NEOPRENE	1.000 ea
51XW0832A07	8-32 X .44, TAPTITE II, HEX WSHR SLTD SE	4.000 ea
HW2501F21	KEY, 5/16 SQ X 2.375	1.000 ea
HA7000A02	KEY RETAINER RING, 1 1/8 DIA, 1 3/8 DIA	1.000 ea
MJ1000A02	GREASE, POLYREX EM EXXON	0.050 lb
37FN3002A01SP	EXFN, PLASTIC, 9.00 OD, 1.155 ID	1.000 ea
51XB1214A16	12-14X1.00 HXWSSLD SERTYB	1.000 ea
HA3104A17	5/16-18X13.250 T-BLT/OHIO	4.000 ea
MG1050G01	CELEROL MEDIUM CHARCOAL METALLIC GRAY	0.028 ga
LC0005	CONN.DIA.,TY M,9-LD,DUAL VOLT,REVERSING	1.000 ea
FE-0000001	ZRTG FE ASSEMBLY	1.000 ea
NP3968A01A01	NP LABEL WEE, SH GND, C-UL-US, QR, ECS	1.000 ea
37PA1074	PALLET PACK GRP, PRINT BOX PK1026A06	1.000 ea

---

MN451	EC Titanium Quick Start 04/20	1.000 ea
LB1624	COMBINED WARNING LABEL, ISO/ANSI PICTOGR	1.000 ea

---

37LYQ435



REV. DESC: UPDATE DRAWING GRAPHICS

REV: H    VERSION: 08    REVISED: 01:49:39 04/19/2022    TDR: 000001189579

37LYQ435

MODEL NO. 37LYQ435

BY: ENJEFD0

REF: -

**BALDOR - RELIANCE®**

HOR 213-5T TEFC B INT SH GND ECS

37LYQ435

CD0005



LOW VOLTAGE  
(2Y)



LINE

HIGH VOLTAGE  
(1Y)



LINE

NOTES:

1. INTERCHANGE ANY TWO LINE LEADS TO REVERSE ROTATION.
2. OPTIONAL THERMOSTATS ARE PROVIDED WHEN SPECIFIED.
3. ACTUAL NUMBER OF INTERNAL PARALLEL CIRCUITS MAY BE A MULTIPLE OF THOSE SHOWN ABOVE.
4. LEAD COLORS ARE OPTIONAL. LEADS MUST ALWAYS BE NUMBERED AS SHOWN.

CD0005

REV. DESC: REVISE TO SHOW OPTIONAL COLORS			
REV. LTR: E	BY: JLP	REVISED: 01/19/99 10:15	TDR: 0171435
S00000		FILE: AAA00005140	MDL: -
		MTL: -	

**BALDOR ELECTRIC Co.**

3PH, DV, 9 LEADS