

BALDOR • RELIANCE

Customer information packet

ECS101M0H7FF4

7.5HP, 1800RPM, 3PH, 60HZ, 213T, TEFC, N

Class - None

Division - Not Applicable

Copyright © All product information within this document is subject to ABB Motors and Mechanical Inc. copyright © protection, unless otherwise noted.

11/26/2024 10:46:45 PM

Specifications

Enclosure	TEFC
Frame	213T
Frame Material	Steel
Frequency	60.00 Hz
Haz Area Class and Group	None
Haz Area Division	Not Applicable
Motor Letter Type	Three Phase
Phase	3
Agency Approvals	WEEE UL
Auxillary Box	No Auxillary Box
Auxillary Box Lead Termination	None
Base Indicator	Rigid
Bearing Grease Type	Polyrex EM (-20F +300F)
Blower	None
Constant Torque Speed Range	6
Drip Cover	No Drip Cover
Duty Rating	CONT
Electrically Isolated Bearing	Not Electrically Isolated
Feedback Device	NO FEEDBACK
Front Shaft Indicator	None
Heater Indicator	No Heater
Insulation Class	F
Inverter Code	Inverter Duty
IP Rating	NONE
Lifting Lugs	Standard Lifting Lugs
Locked Bearing Indicator	Locked Bearing
Motor Lead Quantity/Wire Size	9 @ 16 AWG
Motor Lead Termination	Flying Leads
Motor Standards	NEMA
Motor Type	3730B
Mounting Arrangement	F1

Part detail

Revision	U
Type	AC
Mech. spec.	37Q435
Base	
Status	PRD/A
Elec. spec.	37WGL000
Layout	37LYQ435
Eff. date	07-09-2024
CD Diagram	CD0005
Poles	04
Leads	9#16 Y
Proprietary	False
Created date	12-05-2018

Number of Poles	4
Overall Length	17.89 IN
Product Family	General Purpose
Pulley End Bearing Type	Ball
Pulley Face Code	Standard
Pulley Shaft Indicator	Standard
Rodent Screen	None
RoHS Status	ROHS COMPLIANT
Shaft Diameter	1.375 IN
Shaft Ground Indicator	Shaft Grounding
Shaft Rotation	Reversible
Shaft Slinger Indicator	No Slinger
Speed Code	Single Speed
Starting Method	INVERTER SPECIAL
Thermal Device - Bearing	None
Thermal Device - Winding	None
Vibration Sensor Indicator	No Vibration Sensor
Winding Thermal 1	None
Winding Thermal 2	None

Nameplate

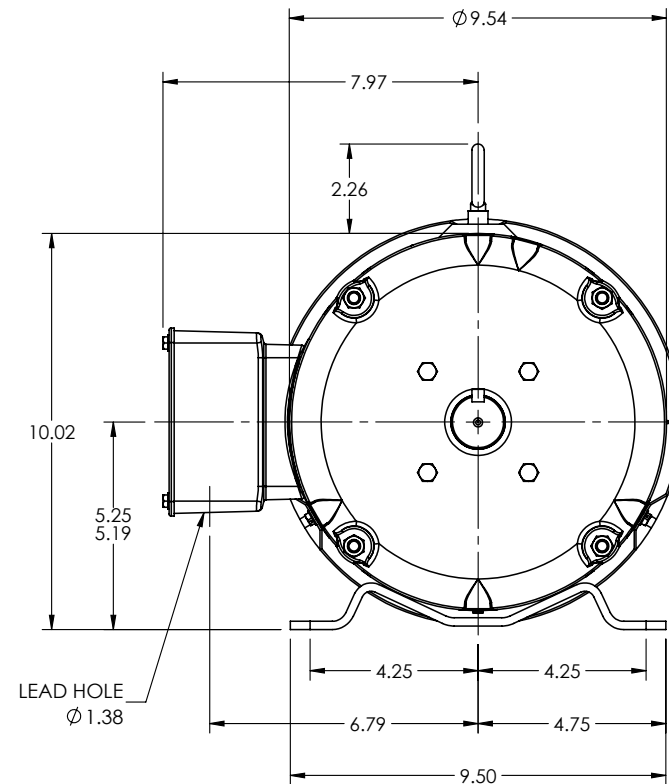
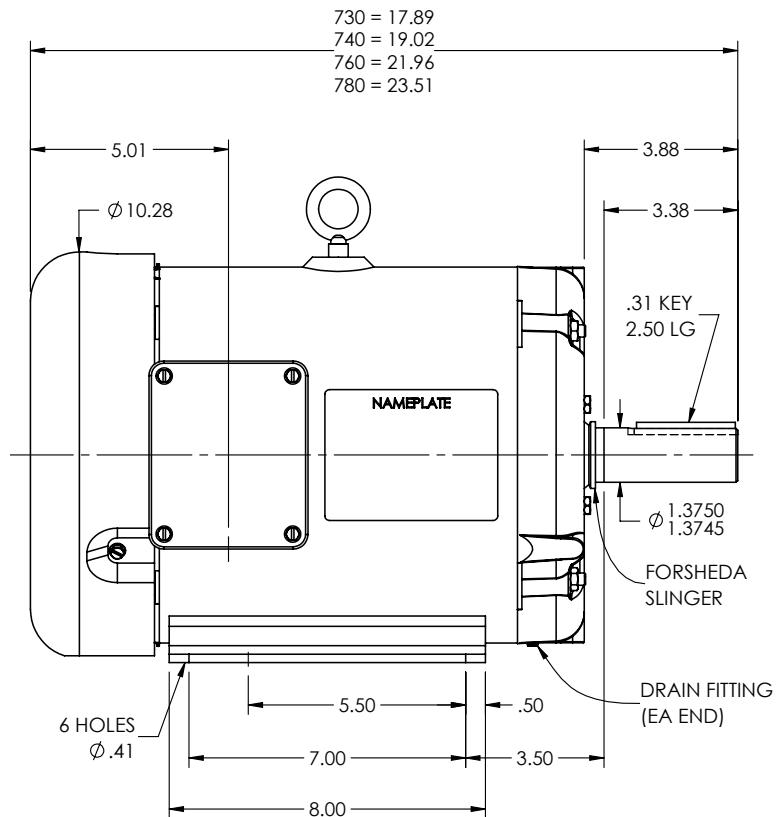
NP3968A01A01									
CAT.NO.	ECS101M0H7FF4								
SPEC.	37Q435L000G1								
FRAME	213T	ENCL.	TEFC	IP	54				
HP	7.5	40	C AMB	CONT					
NOM. EFF.	94.0%	PF	92.3%	SF	1.50				
VOLTS	230/460		FLA	17.75/8.87					
RPM	1800	RPM-MAX	3000						
HZ	60	PH.	3	CLASS	F				
BEMF (V)	108/216		RS (OHMS)	0.35/1.39					
LD (MH)	7/28.1		LQ (MH)	20.2/80.6					
VPWM	CHP	60	TO	100					
CT	6	TO	60	VT	1	TO	100		
MATCHED INV	ACS380-04XX-[N/A]/12A6-4								
DE	6307		ODE	6206					
SERIAL #									

Parts list

Part number	Description	Quantity
SA363855	SA 37Q435L000G1	1.000 ea
RA353155	RA 37Q435L000G1	1.000 ea
HW3200A01	3/8-16X3/4 EYEBOLT WELDED F/S	1.000 ea
37CB3006	37 CB CASTING W/1.38 LEAD HOLE @ 6:00	1.000 ea
37GS1002	1/8" NEOPRENE GASKET, CONDUIT BOX	1.000 ea
51XW2520A12	.25-20 X .75, TAPTITE II, HEX WSHR SLTD	2.000 ea
11XW1032G06	10-32 X .38, TAPTITE II, HEX WSHR SLTD U	1.000 ea
37EP3101A04	FR ENDPLATE, MACH	1.000 ea
HA4067A01	PUSH IN DRAIN FITTING (BLACK)	1.000 ea
HW5100A06	W2420-025 WVY WSHR (WB)	1.000 ea
07FH4007A07	IEC FH NO GRSR, NOTCH @ 6:00 & 3 F/C HOL	1.000 ea
51XW1032A06	10-32 X .38, TAPTITE II, HEX WSHR SLTD S	3.000 ea
37CB4516	LIPPED LID FOR 37 FRAME NEC KOBX	1.000 ea
37GS1008A01	37 GS FOR CB LID - BLACK NEOPRENE	1.000 ea
37EP3100B32	PU EP 307 LOCK BRG, DRAIN, W/O GRSR	1.000 ea
10XN2520A28	1/4-20X 1 3/4 HEX HD	4.000 ea
HW4600C51	31X39X7.5MM FACE SEAL FOR 1.375 DIA. SH	1.000 ea
XY3118A12	5/16-18 HEX NUT DIRECTIONAL SERRATION	4.000 ea
HA4067A01	PUSH IN DRAIN FITTING (BLACK)	1.000 ea
51XW0832A07	8-32 X .44, TAPTITE II, HEX WSHR SLTD SE	4.000 ea
HW2501F21	KEY, 5/16 SQ X 2.375	1.000 ea
HA7000A02	KEY RETAINER RING, 1 1/8 DIA, 1 3/8 DIA	1.000 ea
MJ1000A02	GREASE, POLYREX EM EXXON	0.050 lb
37FN3002A01SP	EXFN, PLASTIC, 9.00 OD, 1.155 ID	1.000 ea
51XB1214A16	12-14X1.00 HXWSSLD SERTYB	1.000 ea
HA3104A14	THRUBOLT- 5/16-18 X12.125(OHIO)	4.000 ea
MG1050G01	CELEROL MEDIUM CHARCOAL METALLIC GRAY	0.028 ga
LC0005	CONN.DIA.,TY M,9-LD,DUAL VOLT,REVERSING	1.000 ea
NP3968A01A01	NP LABEL WEE, SH GND, C-UL-US, QR, ECS	1.000 ea
37PA1074	PALLET PACK GRP, PRINT BOX PK1026A06	1.000 ea
FE-0000001	ZRTG FE ASSEMBLY	1.000 ea

MN451	EC Titanium Quick Start 04/20	1.000 ea
LB1624	COMBINED WARNING LABEL, ISO/ANSI PICTOGR	1.000 ea

37LYQ435



REV. DESC: UPDATE DRAWING GRAPHICS

REV: H	VERSION: 08	REVISED: 01:49:39 04/19/2022	TDR: 000001189579
--------	-------------	------------------------------	-------------------

37LYQ435

MODEL NO. 37LYQ435

BY: ENJEFD0

REF: -

BALDOR - RELIANCE®

HOR 213-5T TEFC B INT SH GND ECS

37LYQ435

CD0005

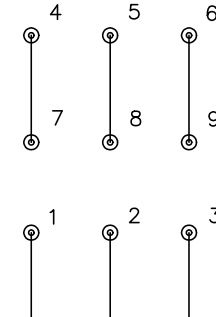


LOW VOLTAGE
(2Y)



LINE

HIGH VOLTAGE
(1Y)



LINE

NOTES:

1. INTERCHANGE ANY TWO LINE LEADS TO REVERSE ROTATION.
2. OPTIONAL THERMOSTATS ARE PROVIDED WHEN SPECIFIED.
3. ACTUAL NUMBER OF INTERNAL PARALLEL CIRCUITS MAY BE A MULTIPLE OF THOSE SHOWN ABOVE.
4. LEAD COLORS ARE OPTIONAL. LEADS MUST ALWAYS BE NUMBERED AS SHOWN.

CD0005

REV. DESC: REVISE TO SHOW OPTIONAL COLORS			
REV. LTR: E	BY: JLP	REVISED: 01/19/99 10:15	TDR: 0171435
S00000		FILE: AAA00005140	MDL: -
		MTL: -	

BALDOR ELECTRIC Co.

3PH, DV, 9 LEADS