

**BALDOR • RELIANCE**

---

# Customer information packet

## ECS101M4H20FF4

20HP, 1800RPM, 3PH, 60HZ, 215T, TEFC, N

Class - None

Division - Not Applicable

Copyright © All product information within this document is subject to ABB Motors and Mechanical Inc. copyright © protection, unless otherwise noted.

11/27/2024 12:51:10 AM

## Specifications

Enclosure	TEFC
Frame	215T
Frame Material	Steel
Frequency	60.00 Hz
Haz Area Class and Group	None
Haz Area Division	Not Applicable
Motor Letter Type	Three Phase
Phase	3
Agency Approvals	UL WEEE
Auxillary Box	No Auxillary Box
Auxillary Box Lead Termination	None
Base Indicator	Rigid
Bearing Grease Type	Polyrex EM (-20F +300F)
Blower	None
Constant Torque Speed Range	30
Design Code	B
Drip Cover	No Drip Cover
Electrically Isolated Bearing	Not Electrically Isolated
Feedback Device	NO FEEDBACK
Heater Indicator	No Heater
Inverter Code	Inverter Duty
IP Rating	NONE
Lifting Lugs	Standard Lifting Lugs
Locked Bearing Indicator	Locked Bearing
Motor Lead Quantity/Wire Size	3 @ 10 AWG
Motor Lead Termination	Flying Leads
Motor Standards	NEMA
Motor Type	3780B
Mounting Arrangement	F1
Number of Poles	4
Overall Length	23.51 IN

## Part detail

Revision	P
Type	AC
Mech. spec.	37Q435
Base	
Status	PRD/A
Elec. spec.	37WGL003
Layout	37LYQ435
Eff. date	07-10-2024
CD Diagram	CD0006
Poles	04
Leads	3#10
Proprietary	False
Created date	07-15-2019

<b>Product Family</b>	General Purpose
<b>Pulley Face Code</b>	Standard
<b>Rodent Screen</b>	None
<b>RoHS Status</b>	ROHS COMPLIANT
<b>Shaft Diameter</b>	1.375 IN
<b>Shaft Ground Indicator</b>	Shaft Grounding
<b>Shaft Rotation</b>	Reversible
<b>Speed Code</b>	Single Speed
<b>Starting Method</b>	INVERTER SPECIAL
<b>Thermal Device - Bearing</b>	None
<b>Thermal Device - Winding</b>	None
<b>Vibration Sensor Indicator</b>	No Vibration Sensor
<b>Winding Thermal 1</b>	None
<b>Winding Thermal 2</b>	None

**Nameplate**

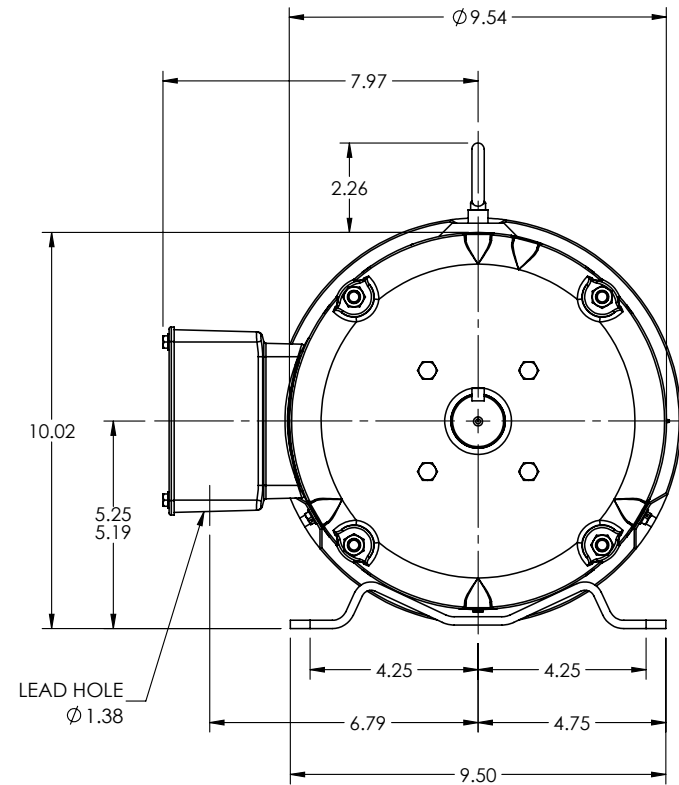
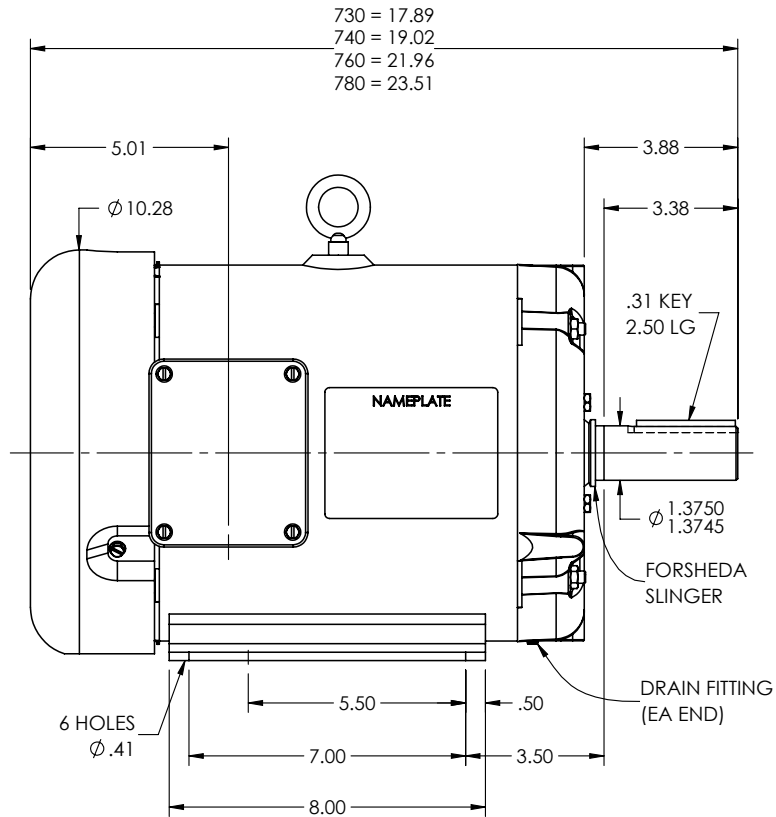
<b>NP3968A01A01</b>									
<b>CAT.NO.</b>	ECS101M4H20FF4								
<b>SPEC.</b>	37Q435L003G2								
<b>FRAME</b>	215T		<b>ENCL.</b>	TEFC	<b>IP</b>	54			
<b>HP</b>	20	40	<b>C AMB</b>		<b>CONT</b>				
<b>NOM. EFF.</b>	95.9%	<b>PF</b>	90.5%	<b>SF</b>	1.50				
<b>VOLTS</b>	460		<b>FLA</b>	21.6					
<b>RPM</b>	1800		<b>RPM-MAX</b>	3000					
<b>HZ</b>	60	<b>PH.</b>	3	<b>CLASS</b>	F				
<b>BEMF (V)</b>	241		<b>RS (OHMS)</b>	0.33					
<b>LD (MH)</b>	10.0		<b>LQ (MH)</b>	35.9					
<b>VPWM</b>	<b>CHP</b>	60	<b>TO</b>	100					
<b>CT</b>	6	<b>TO</b>	60	<b>VT</b>	1	<b>TO</b>	100		
<b>MATCHED INV</b>	ACS380-04XX-[N/A]/25A0-4								
<b>DE</b>	6307		<b>ODE</b>	6206					
<b>SERIAL #</b>									

## Parts list

Part number	Description	Quantity
SA374302	SA 37Q435L003G2	1.000 ea
RA364147	RA 37Q435L003G2	1.000 ea
HW3200A01	3/8-16X3/4 EYEBOLT WELDED F/S	1.000 ea
37CB3006	37 CB CASTING W/1.38 LEAD HOLE @ 6:00	1.000 ea
37GS1002	1/8" NEOPRENE GASKET, CONDUIT BOX	1.000 ea
51XW2520A12	.25-20 X .75, TAPTITE II, HEX WSHR SLTD	2.000 ea
11XW1032G06	10-32 X .38, TAPTITE II, HEX WSHR SLTD U	1.000 ea
37EP3101A04	FR ENDPLATE, MACH	1.000 ea
HA4067A01	PUSH IN DRAIN FITTING (BLACK)	1.000 ea
HW5100A06	W2420-025 WVY WSHR (WB)	1.000 ea
37EP3100B32	PU EP 307 LOCK BRG, DRAIN, W/O GRSR	1.000 ea
10XN2520A28	1/4-20X 1 3/4 HEX HD	4.000 ea
HW4600C51	31X39X7.5MM FACE SEAL FOR 1.375 DIA. SH	1.000 ea
XY3118A12	5/16-18 HEX NUT DIRECTIONAL SERRATION	4.000 ea
HA4067A01	PUSH IN DRAIN FITTING (BLACK)	1.000 ea
MG1050G01	CELEROL MEDIUM CHARCOAL METALLIC GRAY	0.028 ga
07FH4007A07	IEC FH NO GRSR, NOTCH @ 6:00 & 3 F/C HOL	1.000 ea
51XW1032A06	10-32 X .38, TAPTITE II, HEX WSHR SLTD S	3.000 ea
37CB4516	LIPPED LID FOR 37 FRAME NEC KOBX	1.000 ea
37GS1008A01	37 GS FOR CB LID - BLACK NEOPRENE	1.000 ea
51XW0832A07	8-32 X .44, TAPTITE II, HEX WSHR SLTD SE	4.000 ea
HW2501F21	KEY, 5/16 SQ X 2.375	1.000 ea
HA7000A02	KEY RETAINER RING, 1 1/8 DIA, 1 3/8 DIA	1.000 ea
MJ1000A02	GREASE, POLYREX EM EXXON	0.050 lb
37FN3002A01SP	EXFN, PLASTIC, 9.00 OD, 1.155 ID	1.000 ea
51XB1214A20	12-14X1.25 HXWSSLD SERTYB	1.000 ea
HW3100A82	ALL THREAD ROD .31-18 X 18.250	4.000 ea
XY3118A12	5/16-18 HEX NUT DIRECTIONAL SERRATION	8.000 ea
LC0005	CONN.DIA.,TY M,9-LD,DUAL VOLT,REVERSING	1.000 ea
NP3968A01A01	NP LABEL WEE, SH GND, C-UL-US, QR, ECS	1.000 ea
37PA1074	PALLET PACK GRP, PRINT BOX PK1026A06	1.000 ea

FE-0000001	ZRTG FE ASSEMBLY	1.000 ea
MN451	EC Titanium Quick Start 04/20	1.000 ea
LB1624	COMBINED WARNING LABEL, ISO/ANSI PICTOGR	1.000 ea

37LYQ435



REV. DESC: UPDATE DRAWING GRAPHICS

REV: H    VERSION: 08    REVISED: 01:49:39 04/19/2022    TDR: 000001189579

37LYQ435

MODEL NO. 37LYQ435  
 BY: ENJEFD0

REF: -

**BALDOR - RELIANCE®**

HOR 213-5T TEFC B INT SH GND ECS

37LYQ435

CD0006



NOTES:

1. THREE LEAD MOTOR MAY BE EITHER WYE CONNECTED OR DELTA CONNECTED.
2. INTERCHANGE ANY TWO LINE LEADS TO REVERSE ROTATION.
3. OPTIONAL THERMOSTATS ARE PROVIDED WHEN SPECIFIED.
4. ACTUAL NUMBER OF INTERNAL PARALLEL CIRCUITS MAY VARY.
5. LEAD COLORS ARE OPTIONAL. LEADS MUST BE NUMBERED AS SHOWN.

CD0006

REV. DESC: ADD CLASS CONN00000007		
REV. LTR: E	VERSION: 01	TDR: 000001099922
FILE: \AAA\00005\141	REVISED: 10:24:49 02/19/2019	BY: ENBRIRO
MTL: -	© □	

**BALDOR - RELIANCE®**

3PH, SV, 3 LEADS, WYE OR DELTA CONNECTED

SH 1 of 1