



Customer information packet

EHM2511T

10HP, 1180RPM, 3PH, 60HZ, 256T, 3954M, OPSB, F1

Class -

Division - Not Applicable

Specifications

Enclosure	OPSB
Frame	256T
Frame Material	Steel
Frequency	60.00 Hz
Haz Area Division	Not Applicable
Motor Letter Type	Three Phase
Output @ Frequency	10.000 HP @ 60 HZ
Phase	3
Synchronous Speed @ Frequency	1200 RPM @ 60 HZ
Voltage @ Frequency	460.0 V @ 60 HZ 230.0 V @ 60 HZ
Agency Approvals	CSA UR
Ambient Temperature	40 °C
Auxillary Box	No Auxillary Box
Auxillary Box Lead Termination	None
Base Indicator	Rigid
Bearing Grease Type	Polyrex EM (-20F +300F)
Blower	None
Current @ Voltage	14.300 A @ 460.0 V 28.600 A @ 230.0 V 30.000 A @ 208.0 V
Design Code	A
Drip Cover	No Drip Cover
Duty Rating	CONT
Efficiency @ 100% Load	91.7 %
Feedback Device	NO FEEDBACK
Front Face Code	Standard
Front Shaft Indicator	None
Heater Indicator	No Heater
High Voltage Full Load Amps	14.3 a
Insulation Class	F

Part detail

Revision	N
Type	AC
Mech. spec.	39R006
Base	
Status	PRD/A
Elec. spec.	39WGW950
Layout	39LYR006
Eff. date	07-10-2024
CD Diagram	CD0180
Poles	06
Leads	9#12
Proprietary	False
Created date	10-21-2013

Inverter Code	Inverter Ready
KVA Code	J
Lifting Lugs	Standard Lifting Lugs
Locked Bearing Indicator	No Locked Bearing
Motor Lead Exit	Ko Box
Motor Lead Quantity/Wire Size	9 @ 12 AWG
Motor Lead Termination	Flying Leads
Motor Standards	NEMA
Motor Type	3954M
Mounting Arrangement	F1
Number of Poles	6
Overall Length	23.19 IN
Power Factor	71
Product Family	General Purpose
Pulley End Bearing Type	Ball
Pulley Face Code	Standard
Pulley Shaft Indicator	Standard
Rodent Screen	None
Service Factor	1.15
Shaft Diameter	1.625 IN
Shaft Extension Location	Pulley End
Shaft Ground Indicator	No Shaft Grounding
Shaft Rotation	Reversible
Shaft Slinger Indicator	No Slinger
Speed	1180 rpm
Speed Code	Single Speed
Starting Method	Direct on line
Thermal Device - Bearing	None
Thermal Device - Winding	None
Vibration Sensor Indicator	No Vibration Sensor

Nameplate

NP2094E06B03									
CAT.NO.	EHM2511T								
SPEC.	39R006W950G1								
HP	10								
VOLTS	230/460								
AMPS	28.6/14.3								
RPM	1180								
FRAME	256T		HZ	60		PH	3		
SER.F.	1.15	CODE	J	DES	A	CL	F		
NEMA-NOM-EFF	91.7	PF	71						
RATING	40C AMB-CONT								
CC	010A		USABLE AT 208V				N/A		
DE	6309	ODE	6208						
AUTO		MANUAL		NONE					
ENCL	OPSB	SN							
BLANK									

Parts list

Part number	Description	Quantity
SA271132	SA 39R006W950G1	1.000 ea
RA257762	RA 39R006W950G1	1.000 ea
HA6361A01	LIFTING LUG FOR 37, 39 & 40 FRAME ZINC	2.000 ea
09CB3003	CB W/1.75" DIA LD HL - 37, 39, 307 & 309	1.000 ea
HA6016	ADAPTER, CAST CONDUIT BOX	1.000 ea
51XW2520A12	.25-20 X .75, TAPTITE II, HEX WSHR SLTD	2.000 ea
59XW2520G07	.25-20X.44,HEX SER WSHR,TAPTITE 2,GREEN	1.000 ea
WD1000B16	T&B CX70TN OR L70P TERMINAL LUG	1.000 ea
39EP3200A01SP	FR/PU ENDPLATE, MACH	1.000 ea
HW4500A20	1/8NPT SL PIPE PLUG	2.000 ea
HW5100A08	W3118-035 WVY WSHR (WB)	1.000 ea
39EP3201A23	PU ENDPLATE, MACH W/AEGIS SH RING MTG	1.000 ea
HW4500A20	1/8NPT SL PIPE PLUG	2.000 ea
84XN0632J08	#6-32 X .50 SOCK HD, BK OX	2.000 ea
84XN0540J08	5-40 X 1/2" SHCS, BLACK OXIDE	3.000 ea
XY3816A12	3/8-16 FINISHED NUT W/SERRATIONS	8.000 ea
09CB3501SP	CONDUIT BOX LID FOR 09CB3001 & 09CB3002	1.000 ea
51XW2520A12	.25-20 X .75, TAPTITE II, HEX WSHR SLTD	2.000 ea
HW2501G25	KEY, 3/8 SQ X 2.875	1.000 ea
39AD2002A01	BAFFLE PLATE 39 OPEN, SLOTTED BAND MTRS	1.000 ea
MJ1000A02	GREASE, POLYREX EM EXXON	0.030 lb
39AD2002A01	BAFFLE PLATE 39 OPEN, SLOTTED BAND MTRS	1.000 ea
HA3154A03	STUD, 3/8-16 X 17.75	4.000 ea
MG1050G01	CELEROL MEDIUM CHARCOAL METALLIC GRAY	0.050 ga
LC0181	CONNECTION LABEL	1.000 ea
NP2094E06B03	NP LABEL W/BARCODE (PREM EFF HVAC MTR)	1.000 ea
39PA1000	PACKAGING GROUP 39 PRINT	1.000 ea
LD7020D09	LEAD SET, 12AWG, 9 LEAD, 20" LONG LEADS	1.000 ea

AC Induction Motor Performance Data

Record # 13008

Typical performance - not guaranteed values

Winding: 39WGW950-R001		Type: 3954M		Enclosure: OPSB	
Nameplate Data			460 V, 60 Hz: High Voltage Connection		
Rated Output (HP)	10		Full Load Torque	44.4 LB-FT	
Volts	230/460		Start Configuration	direct on line	
Full Load Amps	28.6/14.3		Breakdown Torque	132 LB-FT	
R.P.M.	1180		Pull-up Torque	53 LB-FT	
Hz	60 Phase	3	Locked-rotor Torque	69.8 LB-FT	
NEMA Design Code	A KVA Code	J	Starting Current	91.8 A	
Service Factor (S.F.)	1.15		No-load Current	7.16 A	
NEMA Nom. Eff.	91.7 Power Factor	71	Line-line Res. @ 25°C	0.746 Ω	
Rating - Duty	40C AMB-CONT		Temp. Rise @ Rated Load	22°C	
S.F. Amps			Temp. Rise @ S.F. Load	29°C	
			Locked-rotor Power Factor	25.9	
			Rotor inertia	4.34 lb-ft ²	

Load Characteristics 460 V, 60 Hz, 10 HP

% of Rated Load	25	50	75	100	125	150	S.F.
Power Factor	34	54	65	71	74	75	73
Efficiency	85.7	91	92	92	91.4	90.5	91.6
Speed	1196	1192	1187	1182	1177	1172	1179
Line amperes	8.04	9.52	11.7	14.25	17.29	20.7	16.07

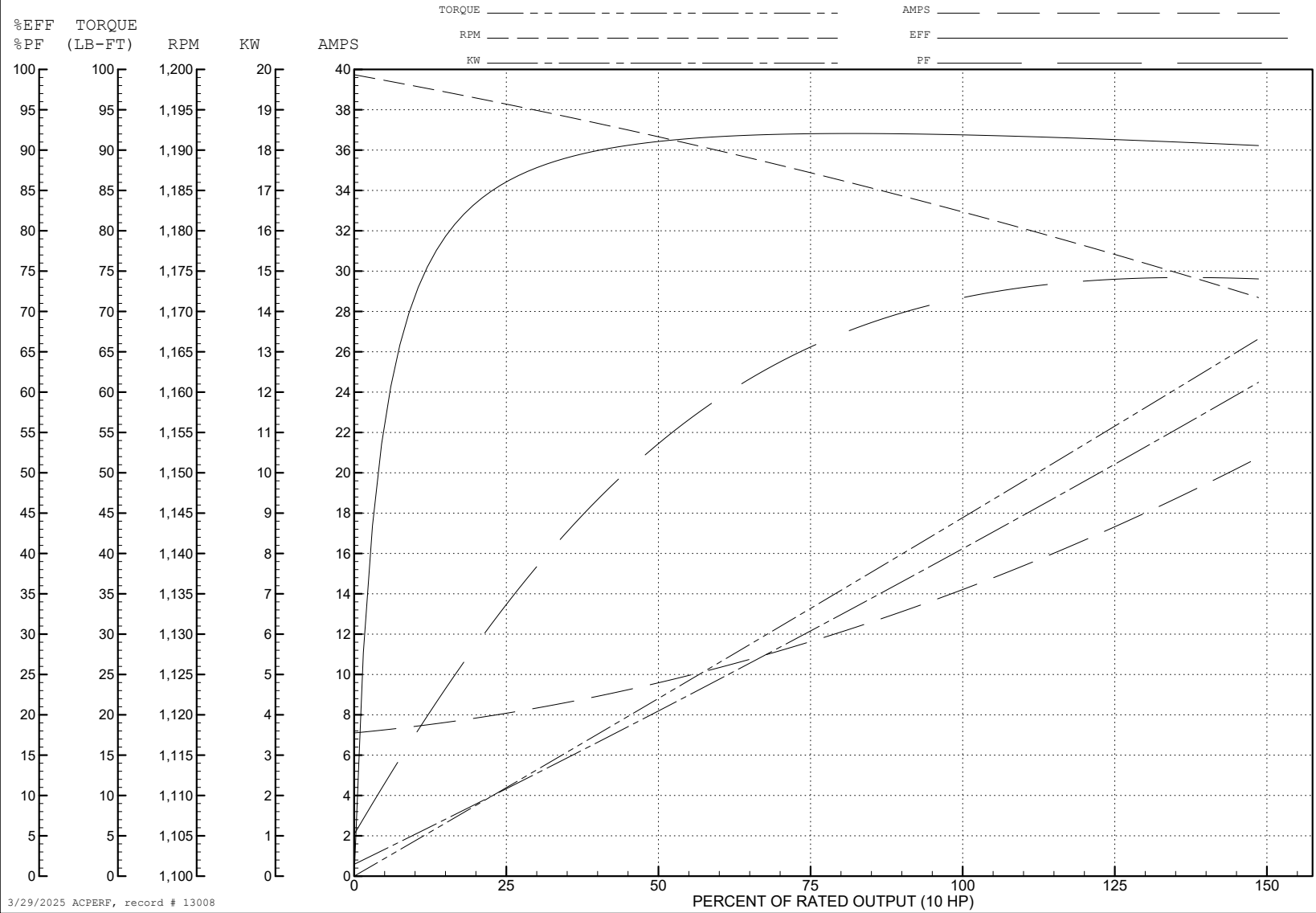
ABB Motors and Mechanical Inc.

WINDING # 39WGW950

Typical performance - not guaranteed values.

10 HP 3 PH 60 HZ 1180 RPM 460 V 3954M

TORQUES (LB-FT): PO=132 PU=53 LR=69.8 LRA=91.8



3/29/2025 ACPERF, record # 13008

AC Induction Motor Performance Data

Record # 33857

Typical performance - not guaranteed values

Winding: 39WGW950-R001		Type: 3954M	Enclosure: OPSB	
Nameplate Data			460 V, 60 Hz: High Voltage Connection	
Rated Output (HP)	10	Full Load Torque	44.1 LB-FT	
Volts	230/460	Start Configuration	direct on line	
Full Load Amps	28.6/14.3	Breakdown Torque	149 LB-FT	
R.P.M.	1180	Pull-up Torque	55.5 LB-FT	
Hz	60 Phase	Locked-rotor Torque	67.6 LB-FT	
NEMA Design Code	A KVA Code	Starting Current	91.6 A	
Service Factor (S.F.)	1.15	No-load Current	7.51 A	
NEMA Nom. Eff.	91.7 Power Factor	Line-line Res. @ 25°C	0.72568 Ω	
Rating - Duty	40C AMB-CONT	Temp. Rise @ Rated Load	18°C	
S.F. Amps		Temp. Rise @ S.F. Load	22°C	
		Locked-rotor Power Factor	25.9	
		Rotor inertia	4.34 LB-FT ²	

Load Characteristics 460 V, 60 Hz, 10 HP

% of Rated Load	25	50	75	100	125	150	S.F.
Power Factor	34	53	64	70	73	74	72
Efficiency	84.5	90.2	91.8	92.1	91.8	91.1	91.9
Speed	1195.9	1191.9	1187.8	1182.8	1177.7	1171.6	1180
Line amperes	8.2	9.72	11.9	14.4	17.5	20.6	16.3

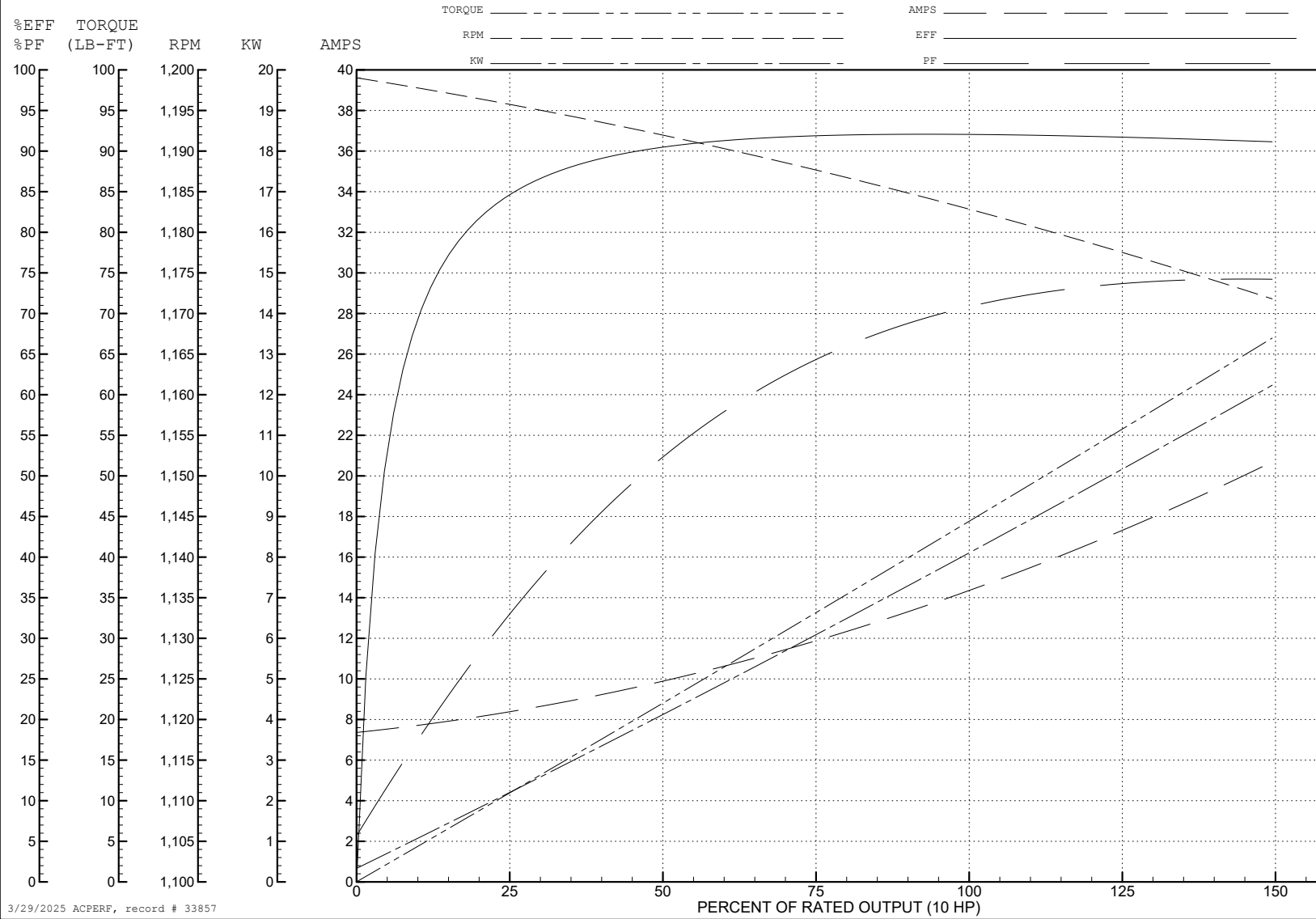
ABB Motors and Mechanical Inc.

WINDING # 39WGW950

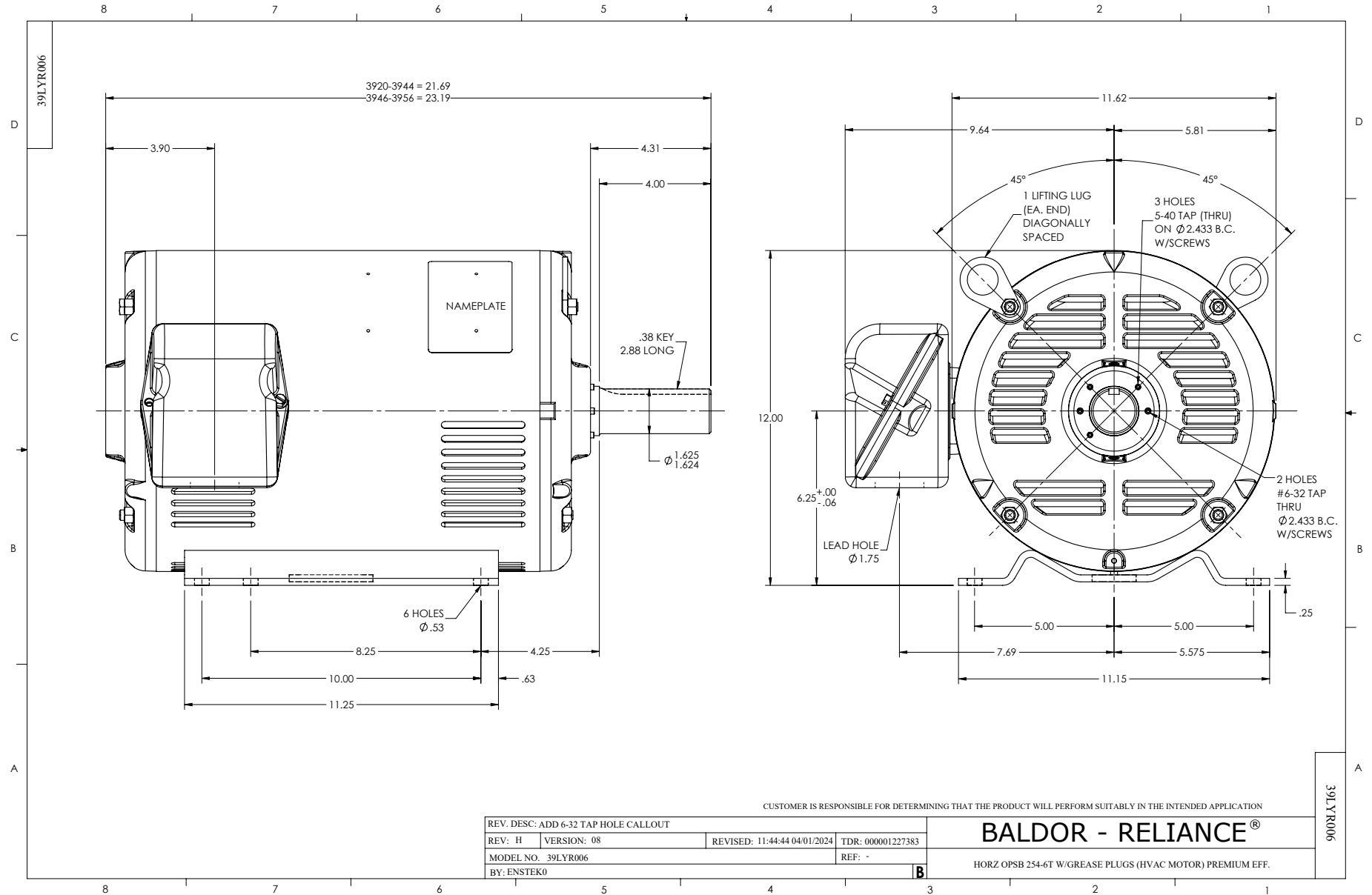
Typical performance - not guaranteed values.

10 HP 3 PH 60 HZ 1180 RPM 460 V 3954M

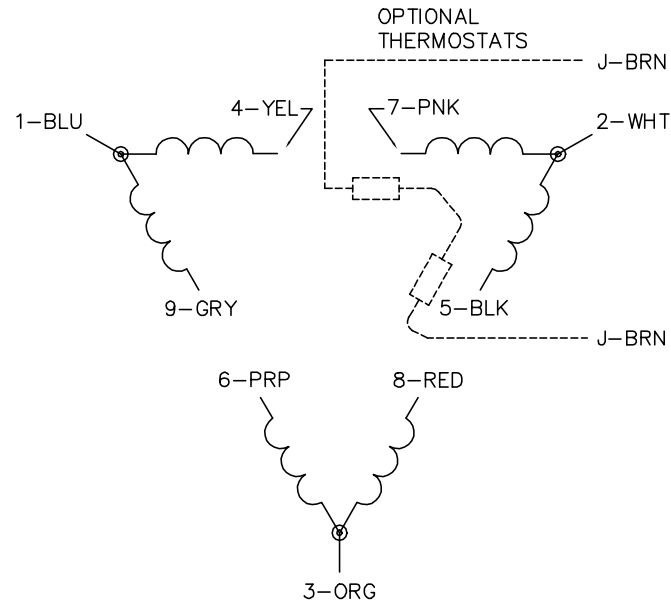
TORQUES (LB-FT): PO=149 PU=55.5 LR=67.6 LRA=91.6



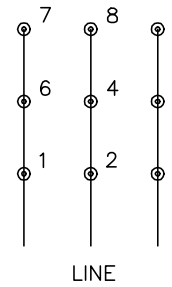
3/29/2025 ACPERF, record # 33857



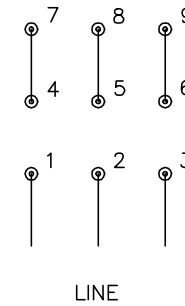
CD0180



LOW VOLTAGE
(2D)



HIGH VOLTAGE
(1D)



NOTES:

1. INTERCHANGE ANY TWO LINE LEADS TO REVERSE ROTATION.
2. OPTIONAL THERMOSTATS ARE PROVIDED WHEN SPECIFIED.
3. ACTUAL NUMBER OF INTERNAL PARALLEL CIRCUITS MAY BE A MULTIPLE OF THOSE SHOWN ABOVE.
4. LEAD COLORS ARE OPTIONAL. LEADS MUST ALWAYS BE NUMBERED AS SHOWN.

CD0180

REV. DESC: ADD CLASS CONN00000007		
REV. LTR: D	VERSION: 01	TDR: 000001099922
FILE: \AAA\00005\148	REVISED: 10: 25: 29 02/19/2019	BY: ENBRIRO
MTL: -	© □	

BALDOR - RELIANCE®

3PH, DV, 9 LEADS, DELTA CONNECTION

SH 1 of 1