

BALDOR • RELIANCE

Customer information packet

EHM2528T

20HP, 1180RPM, 3PH, 60HZ, 286T, 4056M, OPSB, F1

Specifications

Enclosure	OPSB
Frame	286T
Frame Material	Steel
Frequency	60.00 Hz
Motor Letter Type	Three Phase
Output @ Frequency	20.000 HP @ 60 HZ
Phase	3
Synchronous Speed @ Frequency	1200 RPM @ 60 HZ
Voltage @ Frequency	230.0 V @ 60 HZ 460.0 V @ 60 HZ
Agency Approvals	CSA UR
Ambient Temperature	40 °C
Auxillary Box	No Auxillary Box
Auxillary Box Lead Termination	None
Base Indicator	Rigid
Bearing Grease Type	Polyrex EM (-20F +300F)
Blower	None
Current @ Voltage	56.000 A @ 208.0 V 54.000 A @ 230.0 V 27.000 A @ 460.0 V
Design Code	A
Drip Cover	No Drip Cover
Duty Rating	CONT
Efficiency @ 100% Load	92.4 %
Electrically Isolated Bearing	Not Electrically Isolated
Feedback Device	NO FEEDBACK
Front Shaft Indicator	None
Heater Indicator	No Heater
High Voltage Full Load Amps	27.0 a
Insulation Class	F
Inverter Code	Inverter Ready

Part detail

Revision	F
Type	AC
Mech. spec.	40J098
Base	
Status	PRD/A
Elec. spec.	40WGX191
Layout	40LYJ098
Eff. date	07-10-2024
CD Diagram	CD0180
Poles	06
Leads	9#10
Proprietary	False
Created date	08-01-2017

KVA Code	H
Lifting Lugs	Standard Lifting Lugs
Locked Bearing Indicator	No Locked Bearing
Motor Lead Quantity/Wire Size	9 @ 10 AWG
Motor Lead Termination	Flying Leads
Motor Standards	NEMA
Motor Type	4056M
Mounting Arrangement	F1
Number of Poles	6
Overall Length	25.06 IN
Power Factor	74
Product Family	General Purpose
Pulley End Bearing Type	Ball
Pulley Face Code	Standard
Pulley Shaft Indicator	Standard
Rodent Screen	None
Service Factor	1.15
Shaft Diameter	1.875 IN
Shaft Ground Indicator	No Shaft Grounding
Shaft Rotation	Reversible
Shaft Slinger Indicator	No Slinger
Speed	1180 rpm
Speed Code	Single Speed
Starting Method	Direct on line
Thermal Device - Bearing	None
Thermal Device - Winding	None
Vibration Sensor Indicator	No Vibration Sensor
Winding Thermal 1	None
Winding Thermal 2	None

Nameplate

NP2094E06B03										
CAT.NO.	EHM2528T									
SPEC.	40J098X191G1									
HP	20									
VOLTS	230/460									
AMPS	54/27									
RPM	1180									
FRAME	286T	HZ	60	PH	3					
SER.F.	1.15	CODE	H	DES	A	CL	F			
NEMA-NOM-EFF	92.4	PF	74							
RATING	40C AMB-CONT									
CC	010A	USABLE AT 208V						N/A		
DE	6311	ODE	6309							
AUTO		MANUAL		NONE						
ENCL	OPSB	SN								
BLANK										

Parts list

Part number	Description	Quantity
SA342649	SA 40J098X191G1	1.000 ea
RA331085	RA 40J098X191G1	1.000 ea
HA6361A01	LIFTING LUG FOR 37, 39 & 40 FRAME ZINC	2.000 ea
HA6017	CAST ADAPTER, 40,42 KOBX	1.000 ea
19XW3118A12	.31-18 X .75 HEX WASHER HEAD TAPTITE II	2.000 ea
HW1001A31	LOCKWASHER 5/16, ZINC PLT.591 OD, .319 I	2.000 ea
WD1000B25	GND LUG, BURNDY L125HP OR T&B L125HP-BB	1.000 ea
19XW3118G08	.31-18X.50,HEX WSHR HD,TAPTITE 2,GREEN	1.000 ea
HW1001A31	LOCKWASHER 5/16, ZINC PLT.591 OD, .319 I	2.000 ea
10CB3001	CONDUIT BOX CAST W/2.500 LEAD HOLE	1.000 ea
19XW3118A12	.31-18 X .75 HEX WASHER HEAD TAPTITE II	2.000 ea
40EP3200A02	STD FREP OPEN 309 BRG	1.000 ea
HW5100A11	W3917-042 WVY WSHR (WB)	1.000 ea
40EP3200B31	PUEP OPEN 311 BRG W/SH GND MTG	1.000 ea
84XN0632J08	#6-32 X .50 SOCK HD, BK OX	2.000 ea
84XN0540J08	5-40 X 1/2" SHCS, BLACK OXIDE	3.000 ea
XY3816A12	3/8-16 FINISHED NUT W/SERRATIONS	8.000 ea
10CB3500SP	CONDUIT BOX LID, CAST	1.000 ea
51XW2520A12	.25-20 X .75, TAPTITE II, HEX WSHR SLTD	4.000 ea
HW2501H28	KEY, 1/2 SQ X 3.250	1.000 ea
HA4051A00	PLASTIC CAP FOR GREASE FITTING	1.000 ea
MG1050G01	CELEROL MEDIUM CHARCOAL METALLIC GRAY	0.070 ga
HW4500A20	1/8NPT SL PIPE PLUG	2.000 ea
MJ1000A02	GREASE, POLYREX EM EXXON	0.050 lb
HW4500A20	1/8NPT SL PIPE PLUG	2.000 ea
HA4051A00	PLASTIC CAP FOR GREASE FITTING	1.000 ea
HA3154A04	THRUBOLT STUD 3/8-16 X 18.750	4.000 ea
40AD2002A01	LEXAN BAFFLE 40 FR OPEN	1.000 ea
40AD2002A01	LEXAN BAFFLE 40 FR OPEN	1.000 ea
LC0181	CONNECTION LABEL	1.000 ea
NP2094E06B03	NP LABEL W/BARCODE (PREM EFF HVAC MTR)	1.000 ea

40PA1000	PACKAGING GROUP	1.000 ea
MN416A01	TAG-INSTAL-MAINT no wire (2500bx)4/22	1.000 ea

AC Induction Motor Performance Data

Record # 66052

Typical performance - not guaranteed values

Winding: 40WGX191-R001		Type: 4056M		Enclosure: OPSB	
Nameplate Data			460 V, 60 Hz: High Voltage Connection		
Rated Output (HP)	20	Full Load Torque	88.68 LB-FT		
Volts	230/460	Start Configuration	direct on line		
Full Load Amps	54/27	Breakdown Torque	291 LB-FT		
R.P.M.	1180	Pull-up Torque	110 LB-FT		
Hz	60 Phase	3	Locked-rotor Torque	160 LB-FT	
NEMA Design Code	A KVA Code	H	Starting Current	177 A	
Service Factor (S.F.)	1.15	No-load Current	14.1 A		
NEMA Nom. Eff.	92.4 Power Factor	74	Line-line Res. @ 25°C	0.38967 Ω	
Rating - Duty	40C AMB-CONT		Temp. Rise @ Rated Load	29°C	
S.F. Amps			Temp. Rise @ S.F. Load	35°C	
			Locked-rotor Power Factor	31.3	

Load Characteristics 460 V, 60 Hz, 20 HP

% of Rated Load	25	50	75	100	125	150	S.F.
Power Factor	34	55	68	74	78	79	76
Efficiency	88.4	92.5	93.3	93.2	92.7	91.9	92.9
Speed	1195.7	1191.7	1187.5	1183.3	1178.5	1172.9	1180
Line amperes	15.4	18.3	22.2	27	32.4	38.5	30.2

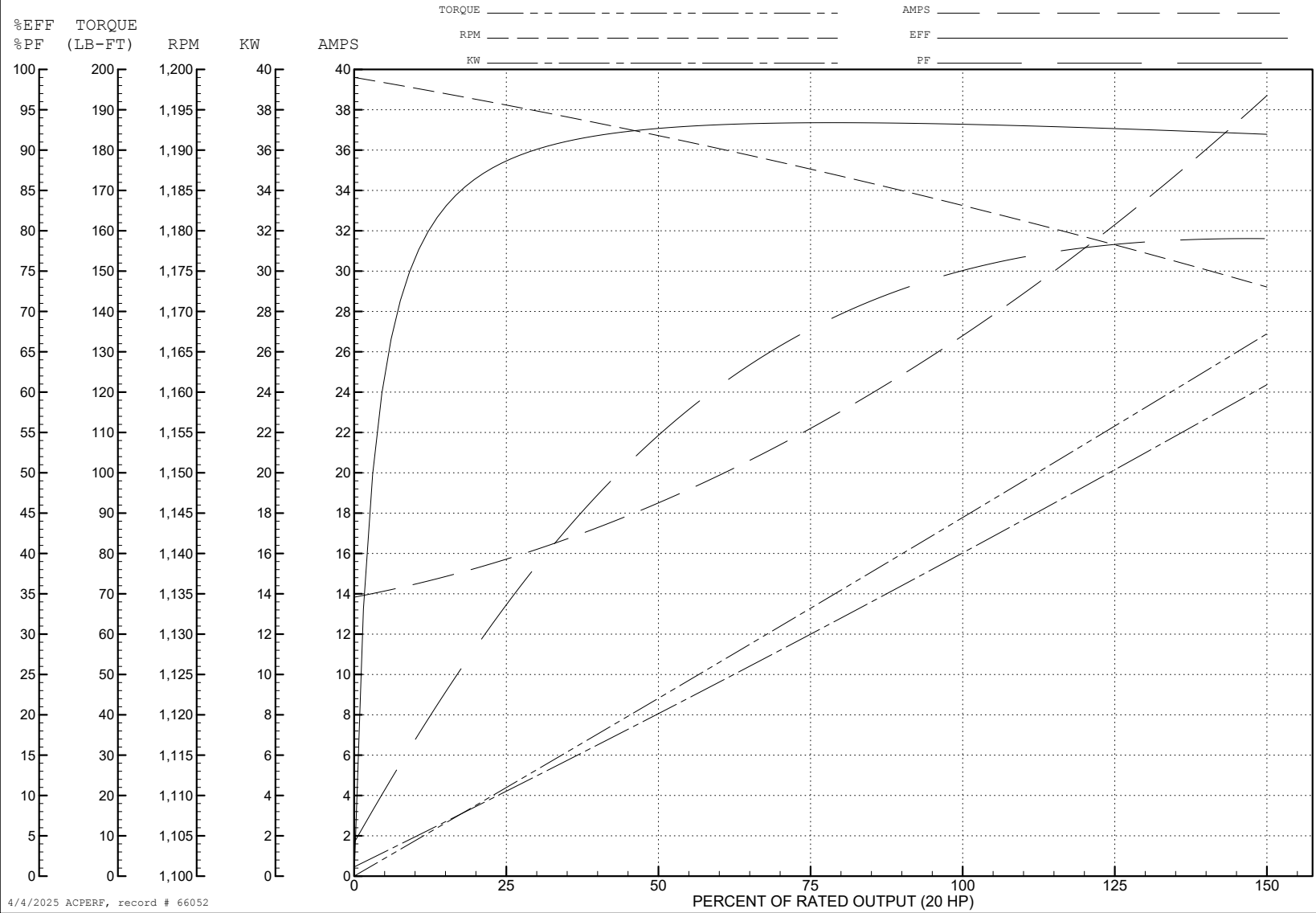
ABB Motors and Mechanical Inc.

WINDING # 40WGx191

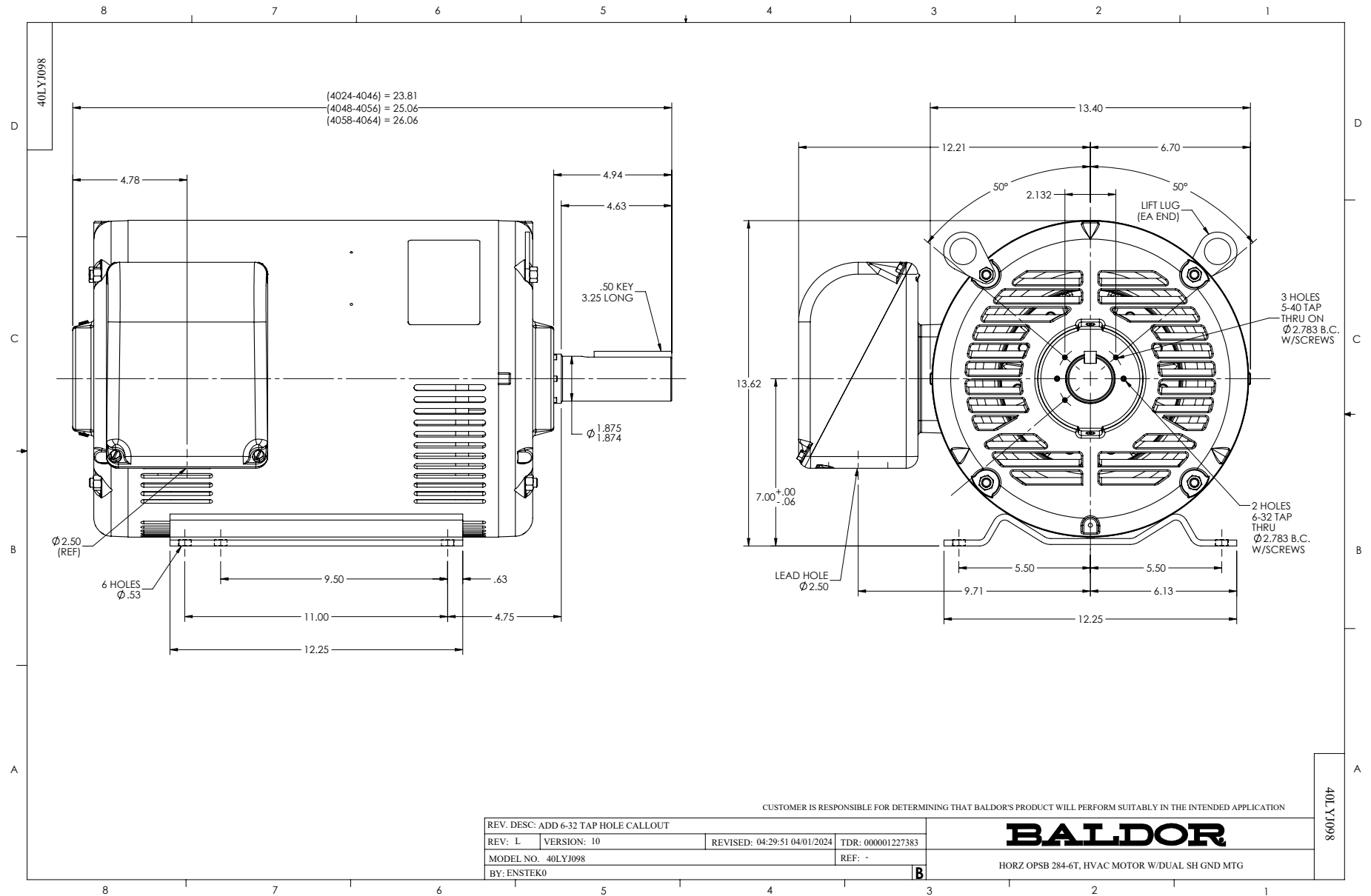
Typical performance - not guaranteed values.

20 HP 3 PH 60 HZ 1180 RPM 460 V 4056M

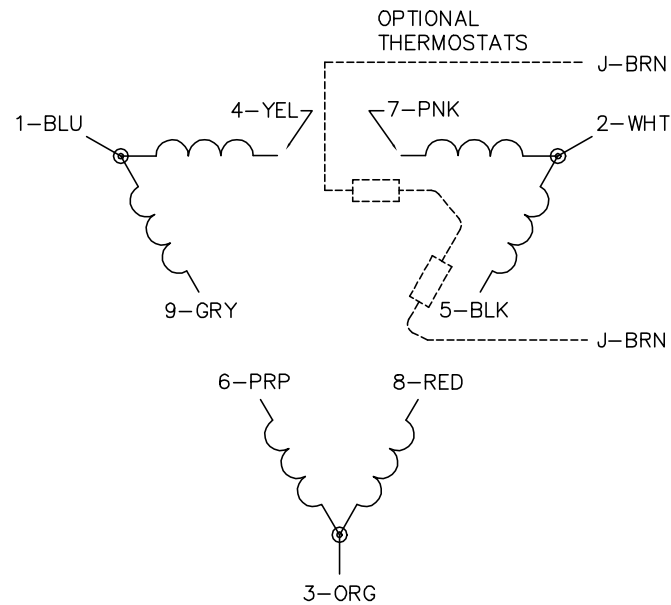
TORQUES (LB-FT): PO=291 PU=110 LR=160 LRA=177



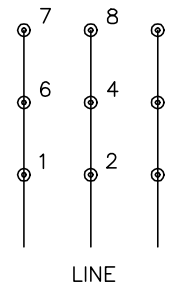
4/4/2025 ACPERF, record # 66052



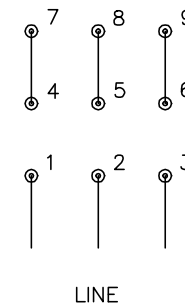
CD0180



LOW VOLTAGE
(2D)



HIGH VOLTAGE
(1D)



NOTES:

1. INTERCHANGE ANY TWO LINE LEADS TO REVERSE ROTATION.
2. OPTIONAL THERMOSTATS ARE PROVIDED WHEN SPECIFIED.
3. ACTUAL NUMBER OF INTERNAL PARALLEL CIRCUITS MAY BE A MULTIPLE OF THOSE SHOWN ABOVE.
4. LEAD COLORS ARE OPTIONAL. LEADS MUST ALWAYS BE NUMBERED AS SHOWN.

CD0180

REV. DESC: ADD CLASS CONN00000007		
REV. LTR: D	VERSION: 01	TDR: 000001099922
FILE: \AAA\00005\148	REVISED: 10: 25: 29 02/19/2019	BY: ENBRIRO
MTL: -	© □	

BALDOR - RELIANCE®

3PH, DV, 9 LEADS, DELTA CONNECTION

SH 1 of 1