



Customer information packet

EHM3157T

2HP, 1760RPM, 3PH, 60HZ, 145T, 3528M, OPSB, F1

Class - None

Division - Not Applicable

Specifications

Enclosure	OPSB
Frame	145T
Frame Material	Steel
Frequency	60.00 Hz
Haz Area Class and Group	None
Haz Area Division	Not Applicable
Motor Letter Type	Three Phase
Output @ Frequency	2.000 HP @ 60 HZ
Phase	3
Synchronous Speed @ Frequency	1800 RPM @ 60 HZ
Voltage @ Frequency	230.0 V @ 60 HZ 460.0 V @ 60 HZ
Agency Approvals	CSA UR
Ambient Temperature	40 °C
Auxillary Box	No Auxillary Box
Auxillary Box Lead Termination	None
Base Indicator	Rigid
Bearing Grease Type	Polyrex EM (-20F +300F)
Blower	None
Current @ Voltage	2.800 A @ 460.0 V 5.600 A @ 230.0 V 5.800 A @ 208.0 V
Design Code	B
Drip Cover	No Drip Cover
Duty Rating	CONT
Efficiency @ 100% Load	86.5 %
Electrically Isolated Bearing	Not Electrically Isolated
Feedback Device	NO FEEDBACK
Front Shaft Indicator	None
Heater Indicator	No Heater
High Voltage Full Load Amps	2.8 a

Part detail

Revision	C
Type	AC
Mech. spec.	35VV807
Base	
Status	PRD/A
Elec. spec.	35WGG073
Layout	35LYVV807
Eff. date	06-06-2024
CD Diagram	CD0005
Poles	04
Leads	9#18
Proprietary	False
Created date	02-21-2023

Insulation Class	F
Inverter Code	Inverter Ready
KVA Code	K
Lifting Lugs	No Lifting Lugs
Locked Bearing Indicator	No Locked Bearing
Motor Lead Quantity/Wire Size	9 @ 18 AWG
Motor Lead Termination	Flying Leads
Motor Standards	NEMA
Motor Type	3528M
Mounting Arrangement	F1
Number of Poles	4
Overall Length	12.13 IN
Power Factor	77
Product Family	General Purpose
Pulley End Bearing Type	Ball
Pulley Face Code	Standard
Pulley Shaft Indicator	Standard
Rodent Screen	None
Service Factor	1.15
Shaft Diameter	0.875 IN
Shaft Ground Indicator	No Shaft Grounding
Shaft Rotation	Reversible
Shaft Slinger Indicator	No Slinger
Speed	1760 rpm
Speed Code	Single Speed
Starting Method	Direct on line
Thermal Device - Bearing	None
Thermal Device - Winding	None
Vibration Sensor Indicator	No Vibration Sensor
Winding Thermal 1	None
Winding Thermal 2	None

Nameplate

NP2094C06B03									
CAT.NO.	EHM3157T								
SPEC.	35VV807G073G1								
HP	2								
VOLTS	230/460								
AMPS	5.6/2.8								
RPM	1760								
FRAME	145T		HZ	60		PH	3		
SER.F.	1.15	CODE	K	DES	B	CL	F		
NEMA-NOM-EFF	86.5	PF	77						
RATING	40C AMB-CONT								
CC	010A								
DE	6205	ODE	6203						
AUTO	N	MANUAL	N	NONE	Y				
ENCL	OPSB	SN							
BLANK	SFA 6.3/3.15								

Parts list

Part number	Description	Quantity
SA411672	SA 35VV807G073G1	1.000 ea
RA403321	RA 35VV807G073G1	1.000 ea
NS2512A01	INSULATOR, CONDUIT BOX X	1.000 ea
35CB4004A17	SHEET METAL KOBX 35 (STAMPED) 35CB4004 L	1.000 ea
51XT1032A04	10-32X1/4 HX WA SL SR TYT (F/S)	4.000 ea
11XT1032G04	10-32 X 1/4" GRD SCREW	1.000 ea
HW3001B01	BRASS CUP WASHER, FOR #10 SCREW	1.000 ea
35EP3209B00	MASTER ODE,203 BRG,GRSR,RLF	1.000 ea
HW4500A19	1/4-28X1/4 SLOTTED PLUG F/S	1.000 ea
HW4500A20	1/8NPT SL PIPE PLUG	1.000 ea
HW5100A03	WAVY WASHER (W1543-017)	1.000 ea
35EP3210D00	MASTER DE,205 BRG,GRSR,STD SH,AEGIS HALF	1.000 ea
91XN0540J08	SCREW, 5-40 X 1/2", FHC, AS	2.000 ea
91XN0632J04	SCREW, 6-32 X 1/4", FHC, AS	2.000 ea
HW4500A19	1/4-28X1/4 SLOTTED PLUG F/S	1.000 ea
HW4500A20	1/8NPT SL PIPE PLUG	1.000 ea
XY1032A02	10-32 HEX NUT DIRECTIONAL SERRATION	4.000 ea
35CB4509	BOX LID MODEL 35 FOR 35CB4004-GALV & PHO	1.000 ea
51XB1016A08	10-16X 1/2HXWSSLD SERTYB	4.000 ea
HW2501D13	KEY, 3/16 SQ X 1.375	1.000 ea
HA7000A01	KEY RETAINER 7/8" DIA SHAFT	1.000 ea
HA6362ZP	LIFTING LUG FOR 36 FRAME MOTORS.	2.000 ea
HW1000A10	#10 FLAT WASHER (SAE)	2.000 ea
MJ1000A02	GREASE, POLYREX EM EXXON	0.050 lb
MG1050G01	CELEROL MEDIUM CHARCOAL METALLIC GRAY	0.017 ga
HA3100A71	THRUBOLT 10-32 X 9.500	4.000 ea
35AD2005A01	BAFFLE PLATE,MOD 35-SLTD BAND MTRS TDR	2.000 ea
LC0005	CONN.DIA.,TY M,9-LD,DUAL VOLT,REVERSING	1.000 ea
NP2094C06B03	NP LABEL W/BARCODE (FOR HVAC MOTOR)	1.000 ea
35PA1066	PKG GRP, PRINT PK1008A06	1.000 ea
MN416A01	TAG-INSTAL-MAINT no wire (2500bx)4/22	1.000 ea

FE-0000001	ZRTG FE ASSEMBLY	1.000 ea
PE-0000001	ZRTG PE ASSEMBLY	1.000 ea

AC Induction Motor Performance Data

Record # 81963

Typical performance - not guaranteed values

Winding: 35WGG073-R009		Type: 3528M		Enclosure: OPEN	
Nameplate Data			460 V, 60 Hz: High Voltage Connection		
Rated Output (HP)	2		Full Load Torque	5.99 LB-FT	
Volts	230/460		Start Configuration	direct on line	
Full Load Amps	5.6/2.8		Breakdown Torque	20.5 LB-FT	
R.P.M.	1760		Pull-up Torque	13.8 LB-FT	
Hz	60 Phase	3	Locked-rotor Torque	15 LB-FT	
NEMA Design Code	B KVA Code	L	Starting Current	22.5 A	
Service Factor (S.F.)	1.15		No-load Current	1.62 A	
NEMA Nom. Eff.	86.5 Power Factor	74	Line-line Res. @ 25°C	9.54 Ω	
Rating - Duty	40C AMB-CONT		Temp. Rise @ Rated Load	64°C	
S.F. Amps			Temp. Rise @ S.F. Load	77°C	
			Locked-rotor Power Factor	57.9	
			Rotor inertia	0.202 lb-ft ²	

Load Characteristics 460 V, 60 Hz, 2 HP

% of Rated Load	25	50	75	100	125	150	S.F.
Power Factor	35	55	68	76	81	84	83
Efficiency	78.2	85.3	86.8	86.5	85.4	83.6	86.3
Speed	1791	1782	1771	1760	1748	1734	1758
Line amperes	1.71	1.97	2.34	2.82	3.36	3.97	3.02

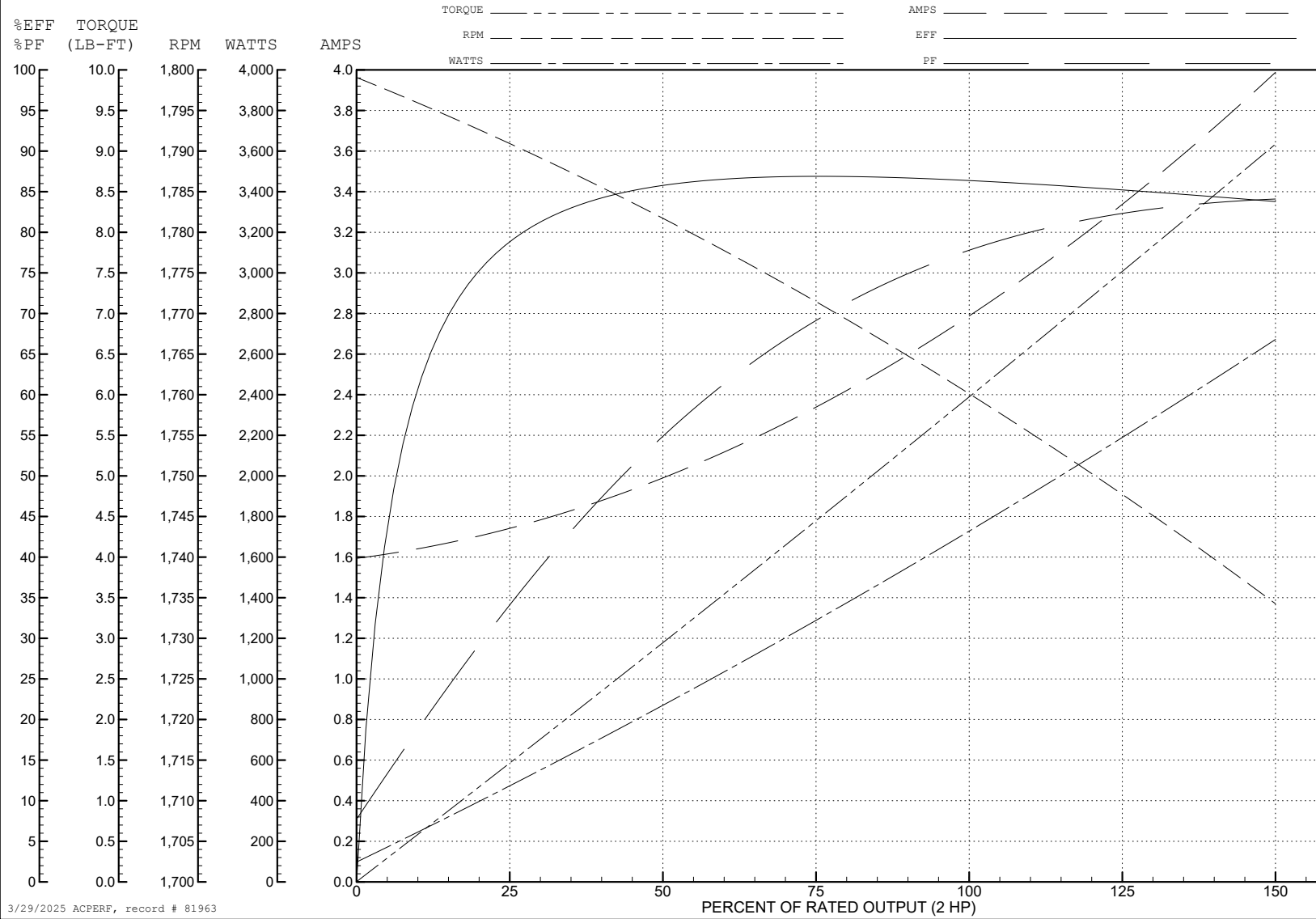
ABB Motors and Mechanical Inc.

WINDING # 35WGG073

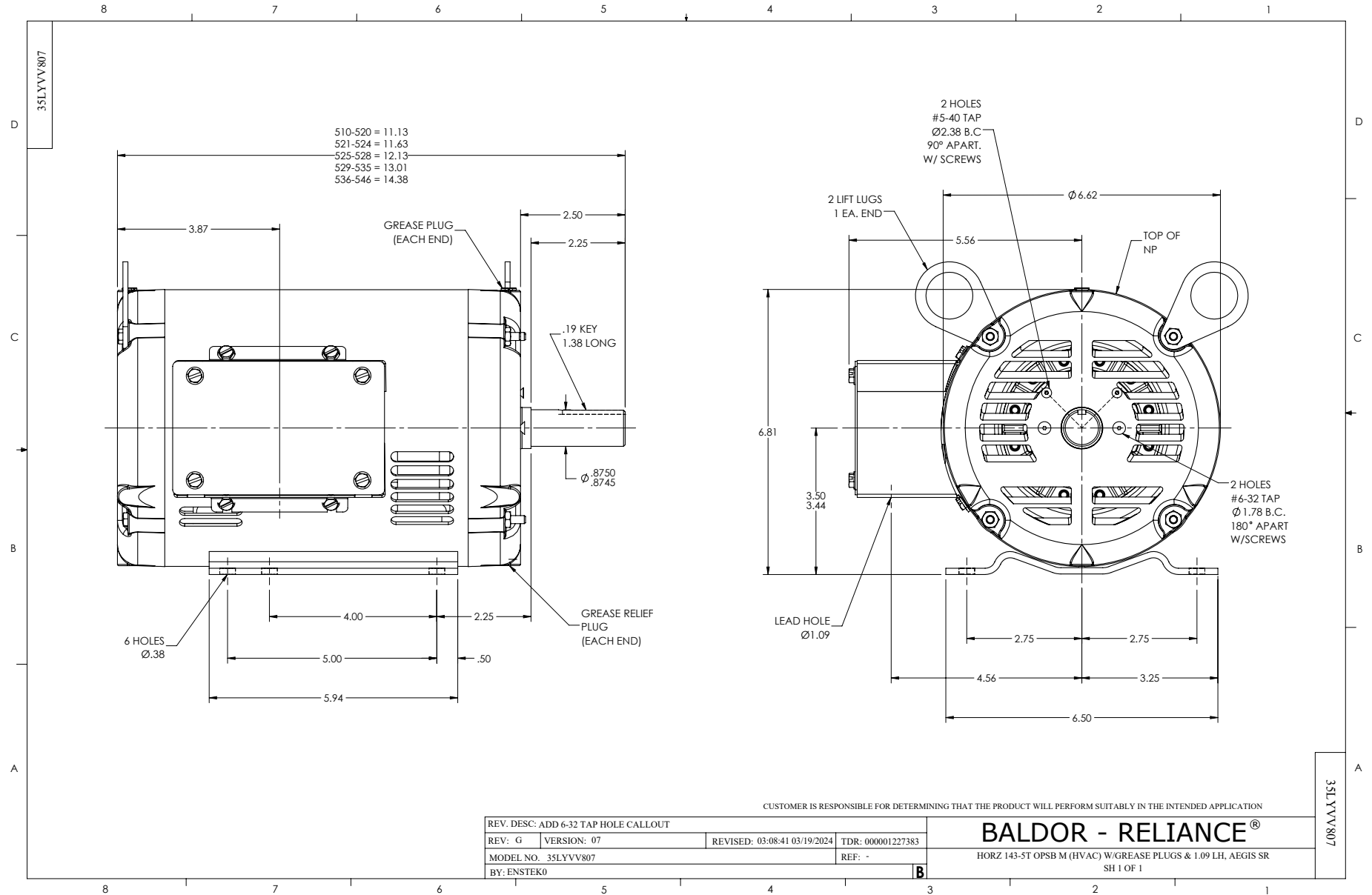
Typical performance - not guaranteed values.

2 HP 3 PH 60 HZ 1760 RPM 460 V 3528M

TORQUES (LB-FT): PO=20.5 PU=13.8 LR=15 LRA=22.5



3/29/2025 ACPERF, record # 81963



CD0005

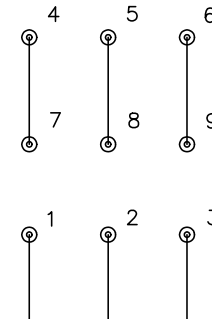


LOW VOLTAGE
(2Y)



LINE

HIGH VOLTAGE
(1Y)



LINE

NOTES:

1. INTERCHANGE ANY TWO LINE LEADS TO REVERSE ROTATION.
2. OPTIONAL THERMOSTATS ARE PROVIDED WHEN SPECIFIED.
3. ACTUAL NUMBER OF INTERNAL PARALLEL CIRCUITS MAY BE A MULTIPLE OF THOSE SHOWN ABOVE.
4. LEAD COLORS ARE OPTIONAL. LEADS MUST ALWAYS BE NUMBERED AS SHOWN.

REV. DESC: REVISE TO SHOW OPTIONAL COLORS			
REV. LTR: E	BY: JLP	REVISED: 01/19/99 10:15	TDR: 0171435
S00000		FILE: AAA00005140	MDL: -
		MTL: -	

BALDOR ELECTRIC Co.

3PH, DV, 9 LEADS

CD0005