



Customer information packet

EHM4111T

25HP, 1180RPM, 3PH, 60HZ, 324T, 1072M, TEFC, F1

Class - None

Division - Not Applicable

Specifications

Enclosure	TEFC
Frame	324T
Frame Material	Iron
Frequency	60.00 Hz
Haz Area Class and Group	None
Haz Area Division	Not Applicable
Motor Letter Type	Three Phase
Output @ Frequency	25.000 HP @ 60 HZ
Phase	3
Synchronous Speed @ Frequency	1200 RPM @ 60 HZ
Voltage @ Frequency	460.0 V @ 60 HZ 230.0 V @ 60 HZ
Agency Approvals	CSA CSA EEV UR
Ambient Temperature	40 °C
Auxillary Box	No Auxillary Box
Auxillary Box Lead Termination	None
Base Indicator	Rigid
Bearing Grease Type	Polyrex EM (-20F +300F)
Blower	None
Current @ Voltage	64.000 A @ 230.0 V 70.000 A @ 208.0 V 32.000 A @ 460.0 V
Design Code	A
Drip Cover	No Drip Cover
Duty Rating	CONT
Efficiency @ 100% Load	93.0 %
Electrically Isolated Bearing	Not Electrically Isolated
Feedback Device	NO FEEDBACK
Front Face Code	Standard
Front Shaft Indicator	None

Part detail

Revision	Q
Type	AC
Mech. spec.	10J484
Base	
Status	PRD/A
Elec. spec.	10WGX979
Layout	10LYJ484
Eff. date	07-10-2024
CD Diagram	CD0180
Poles	06
Leads	9#10
Proprietary	False
Created date	10-22-2013

Heater Indicator	No Heater
High Voltage Full Load Amps	32.0 a
Insulation Class	F
Inverter Code	Inverter Ready
KVA Code	H
Lifting Lugs	Standard Lifting Lugs
Locked Bearing Indicator	Locked Bearing
Motor Lead Exit	Ko Box
Motor Lead Quantity/Wire Size	9 @ 10 AWG
Motor Lead Termination	Flying Leads
Motor Standards	NEMA
Motor Type	1072M
Mounting Arrangement	F1
Number of Poles	6
Overall Length	30.39 IN
Power Factor	79
Product Family	General Purpose
Pulley End Bearing Type	Ball
Pulley Face Code	Standard
Pulley Shaft Indicator	Standard
Rodent Screen	None
Service Factor	1.15
Shaft Extension Location	Pulley End
Shaft Ground Indicator	Mounting Provisions Only
Shaft Rotation	Reversible
Shaft Slinger Indicator	No Slinger
Speed	1180 rpm
Speed Code	Single Speed
Starting Method	Direct on line
Thermal Device - Bearing	NONE (OLD)
Thermal Device - Winding	None
Vibration Sensor Indicator	No Vibration Sensor
Winding Thermal 1	None
Winding Thermal 2	None

Nameplate

NP2138L

CAT.NO.	EHM4111T	P/N		ENCLOSURE	TEFC		
SPEC.	10J484X979G1	CC	010A	FRAME	324T	S/N	
HP	25	CLASS	F	HZ	60		
RPM	1180	PH	3	DES	A		
VOLT	230/460	KVA-CODE	H	ODE BRG	6309	DE BRG	6312
AMP	64/32						
RATING	40C AMB-CONT	GREASE	POLYREX EM				
NEMA-NOM-EFF	93	PF	79	SER.F.	1.15		
	SFA 72.6/36.3						
HTR-VOLTS		HTR-AMPS					

Parts list

Part number	Description	Quantity
SA271451	SA 10J484X979G1	1.000 ea
RA258079	RA 10J484X979G1	1.000 ea
09FN3001A02SP	EXTERNAL FAN, PLASTIC (COMES W/SCREW FRO	1.000 ea
10CB3001	CONDUIT BOX CAST W/2.500 LEAD HOLE	1.000 ea
09GS1000	GASKET-CONDUIT BOX, 1/16 THICK LEXIDE	1.000 ea
10XN3118K12	5/16-18 X .75 GRADE 5, ZINC PLATED	4.000 ea
HW1001A31	LOCKWASHER 5/16, ZINC PLT.591 OD, .319 I	4.000 ea
WD1000B16	T&B CX70TN OR L70P TERMINAL LUG	1.000 ea
51XF2520A08	SCREW, HEX SER SLT HD, ZN 1/4-20 X .50 L	1.000 ea
10EP1106A53	FR ENDPLATE, MACH	1.000 ea
10XN3816K32	BOLT, 3/8-16X2 HH YZ(5)	4.000 ea
HW1001A38	LOCKWASHER 3/8, ZINC PLT .688 OD, .382 I	4.000 ea
HA4017A08	.125X3.50 GREASER EXTEN.	1.000 ea
HW4019A01	PIPE COUPLING 1/8 NPT,STEEL,ZINC COATING	1.000 ea
10XN2520K36	1/4-20 X 2.00 HX HD SCRW GRADE 5, ZINC P	2.000 ea
HW1001A25	LOCKWASHER 1/4, ZINC PLT .493 OD, .255 I	2.000 ea
HW5100A11	W3917-042 WVY WSHR (WB)	1.000 ea
10XN3118K40	5/16-18 X 2.75" HEX HD, GRADE 5	4.000 ea
HW1001A31	LOCKWASHER 5/16, ZINC PLT.591 OD, .319 I	4.000 ea
10EP1108A17	PUEP W/312 BRG, "O" DRN, 1/2 SH GND MTG,	1.000 ea
84XN0632J08	#6-32 X .50 SOCK HD, BK OX	2.000 ea
84XN0540J08	5-40 X 1/2" SHCS, BLACK OXIDE	2.000 ea
10XN3816K28	3/8-16 X 1.75 HEX HD CAP SCREW, GRADE 5	4.000 ea
HW1001A38	LOCKWASHER 3/8, ZINC PLT .688 OD, .382 I	4.000 ea
10FH4000	310 FAN HOUSING STAMPED	1.000 ea
51XF2520A08	SCREW, HEX SER SLT HD, ZN 1/4-20 X .50 L	4.000 ea
10CB3500SP	CONDUIT BOX LID, CAST	1.000 ea
10GS1000SP	GASKET, CONDUIT BOX LID	1.000 ea
51XW2520A12	.25-20 X .75, TAPTITE II, HEX WSHR SLTD	4.000 ea
HW2501H33	KEY, 1/2 SQ X 3.875	1.000 ea
MN416A01	TAG-INSTAL-MAINT no wire (2500bx)4/22	1.000 ea

HW4500A20	1/8NPT SL PIPE PLUG	2.000 ea
HA4066A01	PUSH IN T-DRAIN FITTING (BLACK)	1.000 ea
MJ1000A02	GREASE, POLYREX EM EXXON	0.130 lb
HW4500A20	1/8NPT SL PIPE PLUG	2.000 ea
HA4066A01	PUSH IN T-DRAIN FITTING (BLACK)	1.000 ea
HW2500A25	WOODRUFF KEY USA #1008 #BLOW CARBON STEE	1.000 ea
51XB1214A20	12-14X1.25 HXWSSLD SERTYB	1.000 ea
MG1050G01	CELEROL MEDIUM CHARCOAL METALLIC GRAY	0.070 ga
85XU0407S04	4X1/4 U DRIVE PIN STAINLESS	4.000 ea
LB1624	COMBINED WARNING LABEL, ISO/ANSI PICTOGR	1.000 ea
LC0181	CONNECTION LABEL	1.000 ea
NP2138L	ALUM SUPER-E UL PREM CC (300	1.000 ea
12PA1000	PACKAGING GROUP PRINT PK1024A07	1.000 ea

AC Induction Motor Performance Data

Record # 21410

Typical performance - not guaranteed values

Winding: 10WGX979-R001		Type: 1072M		Enclosure: TEFC		
Nameplate Data			460 V, 60 Hz: High Voltage Connection			
Rated Output (HP)	25	Full Load Torque	112 LB-FT			
Volts	230/460	Start Configuration	direct on line			
Full Load Amps	64/32	Breakdown Torque	357 LB-FT			
R.P.M.	1180	Pull-up Torque	165 LB-FT			
Hz	60 Phase	3	Locked-rotor Torque	220 LB-FT		
NEMA Design Code	A KVA Code	H	Starting Current	220 A		
Service Factor (S.F.)	1.15	No-load Current	14.9 A			
NEMA Nom. Eff.	93 Power Factor	79	Line-line Res. @ 25°C	0.279 Ω		
Rating - Duty	40C AMB-CONT	Temp. Rise @ Rated Load	50°C			
S.F. Amps		Temp. Rise @ S.F. Load	62°C			
		Locked-rotor Power Factor	30			
		Rotor inertia	8.82 LB-FT ²			

Load Characteristics 460 V, 60 Hz, 25 HP

% of Rated Load	25	50	75	100	125	150	S.F.
Power Factor	42	63	73	79	81	82	80
Efficiency	89	92.6	93.3	93	92.5	91.5	92.7
Speed	1195	1191	1187	1182	1178	1172	1180
Line amperes	16.3	20.1	25.4	32	39.1	46.7	36.3

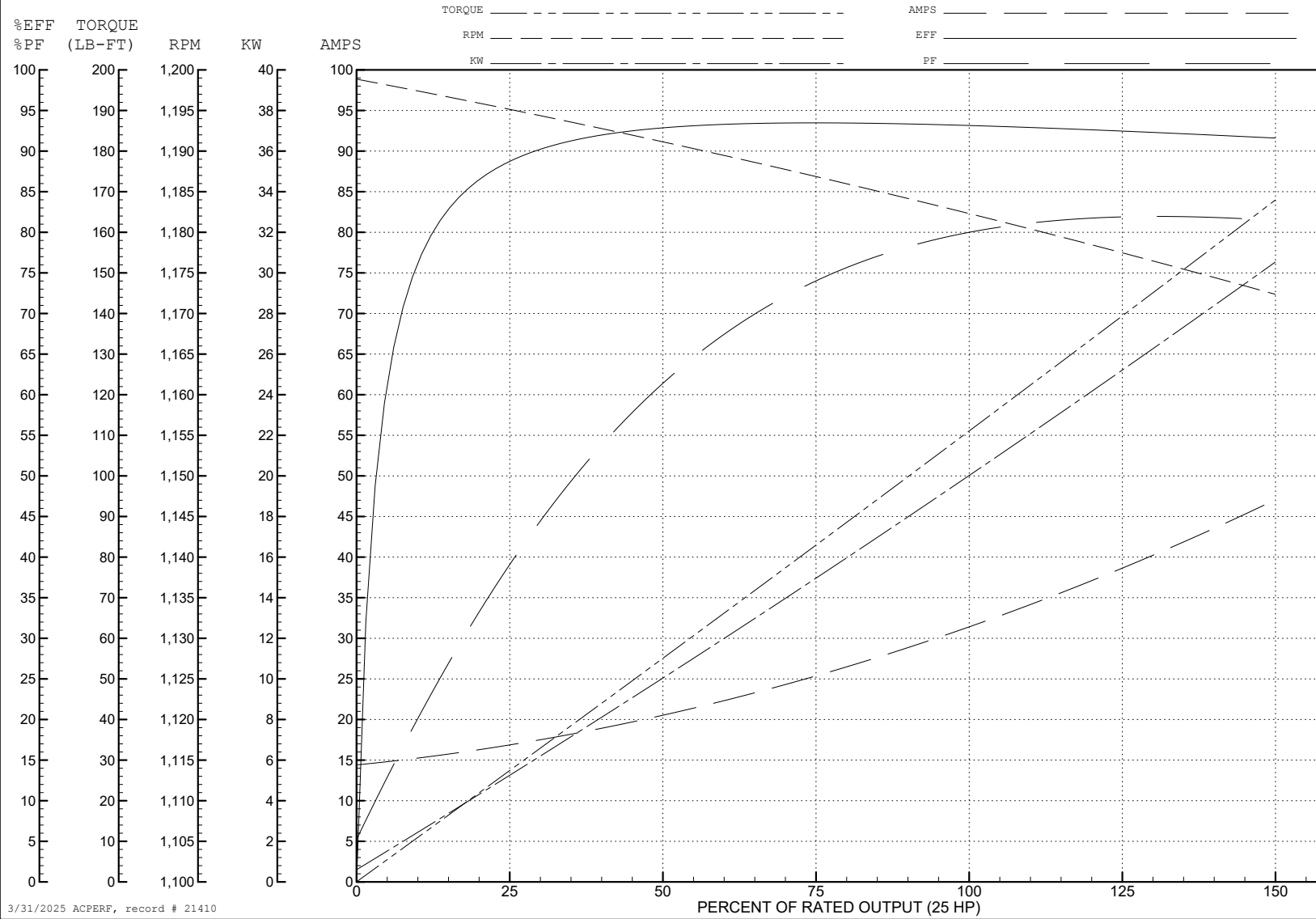
ABB Motors and Mechanical Inc.

WINDING # 10WGX979

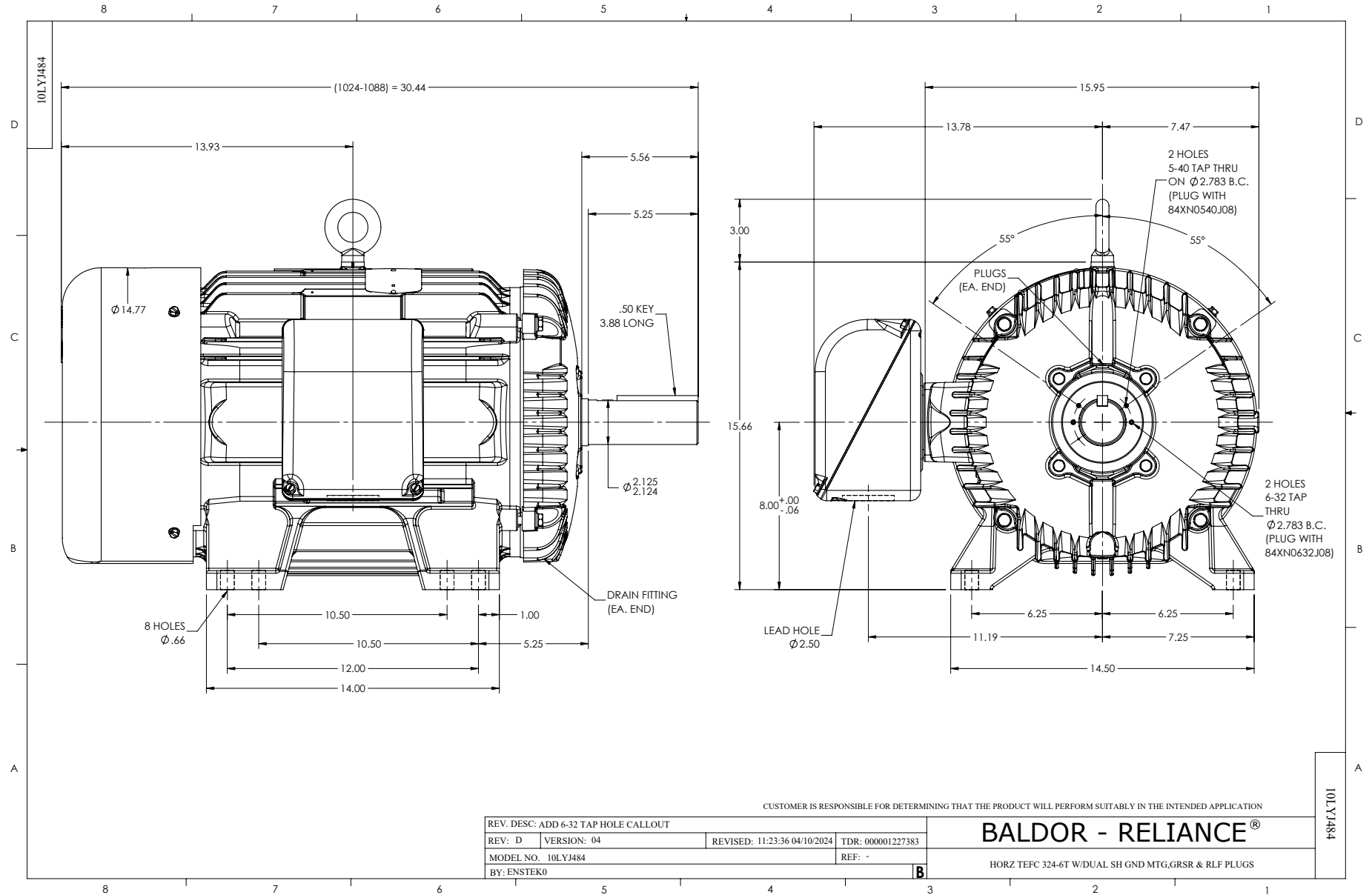
Typical performance - not guaranteed values.

25 HP 3 PH 60 HZ 1180 RPM 460 V 1072M

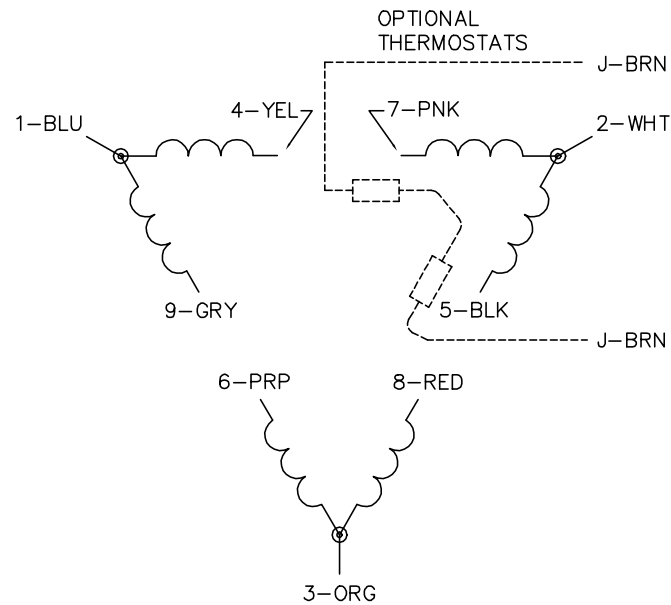
TORQUES (LB-FT): PO=357 PU=165 LR=220 LRA=220



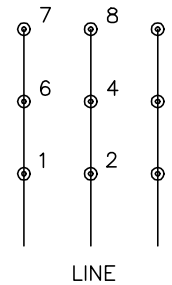
3/31/2025 ACPERF, record # 21410



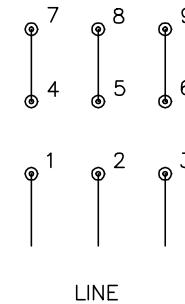
CD0180



LOW VOLTAGE
(2D)



HIGH VOLTAGE
(1D)



NOTES:

1. INTERCHANGE ANY TWO LINE LEADS TO REVERSE ROTATION.
2. OPTIONAL THERMOSTATS ARE PROVIDED WHEN SPECIFIED.
3. ACTUAL NUMBER OF INTERNAL PARALLEL CIRCUITS MAY BE A MULTIPLE OF THOSE SHOWN ABOVE.
4. LEAD COLORS ARE OPTIONAL. LEADS MUST ALWAYS BE NUMBERED AS SHOWN.

CD0180

REV. DESC: ADD CLASS CONN00000007		
REV. LTR: D	VERSION: 01	TDR: 000001099922
FILE: \AAA\00005\148	REVISED: 10: 25: 29 02/19/2019	BY: ENBRIRO
MTL: -	© □	

BALDOR - RELIANCE®

3PH, DV, 9 LEADS, DELTA CONNECTION

SH 1 of 1