

BALDOR® • RELIANCE™

Customer information packet

EJPM3212T

5HP/3500RPM/3PH/OPSB/NEMA 182JP

Class - None

Division - Not Applicable

Copyright © All product information within this document is subject to ABB Motors and Mechanical Inc. copyright © protection, unless otherwise noted.

11/27/2024 3:46:25 PM

Specifications

Enclosure	OPSB
Frame	182JP
Frame Material	Steel
Frequency	60.00 Hz
Haz Area Class and Group	None
Haz Area Division	Not Applicable
Motor Letter Type	Three Phase
Output @ Frequency	5.000 HP @ 60 HZ
Phase	3
Synchronous Speed @ Frequency	3600 RPM @ 60 HZ
Voltage @ Frequency	230.0 V @ 60 HZ 460.0 V @ 60 HZ
Agency Approvals	CSA CSA EEV NEMA PREMIUM UR
Ambient Temperature	40 °C
Auxillary Box	No Auxillary Box
Auxillary Box Lead Termination	None
Base Indicator	Rigid
Bearing Grease Type	Polyrex EM (-20F +300F)
Blower	None
Current @ Voltage	6.000 A @ 460.0 V 12.800 A @ 208.0 V 12.000 A @ 230.0 V
Design Code	A
Drip Cover	No Drip Cover
Duty Rating	CONT
Efficiency @ 100% Load	86.5 %
Electrically Isolated Bearing	Not Electrically Isolated
Feedback Device	NO FEEDBACK
Front Face Code	Standard

Part detail

Revision	L
Type	AC
Mech. spec.	36J514
Base	
Status	PRD/A
Elec. spec.	36WGS040
Layout	36LYJ514
Eff. date	06-11-2024
CD Diagram	CD0005
Poles	02
Leads	9#16
Proprietary	False
Created date	05-28-2015

Front Shaft Indicator	None
Heater Indicator	No Heater
High Voltage Full Load Amps	6.0 a
Insulation Class	F
Inverter Code	Inverter Ready
KVA Code	K
Lifting Lugs	No Lifting Lugs
Locked Bearing Indicator	Locked Bearing
Motor Lead Exit	Ko Box
Motor Lead Quantity/Wire Size	9 @ 16 AWG
Motor Lead Termination	Flying Leads
Motor Standards	NEMA
Motor Type	3622M
Mounting Arrangement	F1
Number of Poles	2
Overall Length	18.18 IN
Power Factor	91
Product Family	General Purpose
Pulley End Bearing Type	Ball
Pulley Face Code	C-Face
Pulley Shaft Indicator	Tapped & Key
Rodent Screen	Included
RoHS Status	ROHS COMPLIANT
Service Factor	1.15
Shaft Diameter	0.875 IN
Shaft Extension Location	Pulley End
Shaft Ground Indicator	No Shaft Grounding
Shaft Rotation	Reversible
Shaft Slinger Indicator	Shaft Slinger
Speed	3450 rpm
Speed Code	Single Speed
Starting Method	Direct on line
Thermal Device - Bearing	None
Thermal Device - Winding	None

Vibration Sensor Indicator	No Vibration Sensor
Winding Thermal 1	None
Winding Thermal 2	None

Nameplate

NP3553LUA									
CAT.NO.	EJPM3212T								
SPEC.	36J514S040G2								
HP	5								
VOLTS	230/460								
AMPS	12/6								
RPM	3450								
FRAME	182JP		HZ	60		PH	3		
SF	1.15	CODE	K	DES	A	CLASS	F		
NEMA NOM. EFF	86.5	PF	91						
RATING	40C AMB-CONT								
CC	010A								
ENCL	OPSB	SN							
DE	6207	ODE	6205						
VPWM INVERTER READY									
CT30-60(2:1) VT3-60(20:1)									
USABLE AT	50Hz 5HP 190/380V 14.6/7.3A							SF1.0	

Parts list

Part number	Description	Quantity
SA302304	SA 36J514S040G2	1.000 ea
RA289398	RA 36J514S040G2	1.000 ea
36CB3004	36 CB CASTING W/1.09 DIA LEAD HOLE @ 6:0	1.000 ea
51XB1016A07	10-16 X 7/16 HXWSSLD SERTYB	2.000 ea
11XW1032G06	10-32 X .38, TAPTITE II, HEX WSHR SLTD U	1.000 ea
HW3001B01	BRASS CUP WASHER, FOR #10 SCREW	1.000 ea
36EP3204D00	MASTER ODE,205 BRG,GRSR,RLF	1.000 ea
HW4500A01	1641B(ALEMITE)400 UNIV, GREASE FITT	1.000 ea
HW4500A17	317400 ALEMITE GREASE RELIEF	1.000 ea
HA1103A08	RODENT SCREEN, 36 FRAME, OPEN, FRONT END	1.000 ea
51XW1032A06	10-32 X .38, TAPTITE II, HEX WSHR SLTD S	4.000 ea
HW1000A10	#10 FLAT WASHER (SAE)	4.000 ea
HW5100A05	WVY WSHR F/205 & 304 BRGS	1.000 ea
36EP3405A04	PUEP 182-4C OPEN 207 BRG W/ TSLV, GRSR	1.000 ea
HW4500A01	1641B(ALEMITE)400 UNIV, GREASE FITT	1.000 ea
HW4500A17	317400 ALEMITE GREASE RELIEF	1.000 ea
HA1102A07	RODENT SCREEN 36 OPEN FACE	2.000 ea
51XT1032A04	10-32X1/4 HX WA SL SR TYT (F/S)	4.000 ea
HW1000A10	#10 FLAT WASHER (SAE)	4.000 ea
10XN2520A24	1/4-20X 1 1/2 HEX HD X	4.000 ea
HW1001A25	LOCKWASHER 1/4, ZINC PLT .493 OD, .255 I	4.000 ea
36CB4516	750LIPPED CB LID - GALVANNEAL	1.000 ea
51XW0832A07	8-32 X .44, TAPTITE II, HEX WSHR SLTD SE	4.000 ea
HA2009A01	ALUM SLINGER 307 BRG CLOSE CPL PUMP MOTO	1.000 ea
80XN1032J06	10-32 X 3/8 SET SCREW, HEX SOC, CUP PT	1.000 ea
HW2501D15	KEY, 3/16 X 1.625	1.000 ea
HA7000A01	KEY RETAINER 7/8" DIA SHAFT	1.000 ea
85XU0407S04	4X1/4 U DRIVE PIN STAINLESS	2.000 ea
MJ1000A02	GREASE, POLYREX EM EXXON	0.050 lb
MG1050Y01	CELEROL BALDOR GOLD *** NLA IN 5 GALLON	0.022 ga
36AD2004A01	BAFFLE PLATE,MOD 36-SLTD BAND MTRS DELTA	2.000 ea

HA3101A46	THRUBOLT 1/4-20 X 10.00	4.000 ea
LC0005E01	CONN.DIA./WARNING LABEL (LC0005/LB1119N)	1.000 ea
NP3553LUA	ALUM SUPER-E VPWM INV READY UL CC NEMA P	1.000 ea
G7PA1000	PKG GRP, PRINT PK1034A06	1.000 ea
MN416A01	TAG-INSTAL-MAINT no wire (2500bx)4/22	1.000 ea
FE-0000004	ZRTG FE ASSEMBLY	1.000 ea

AC Induction Motor Performance Data

Record # 53354

Typical performance - not guaranteed values

Winding: 36WGS040-R014		Type: 3622M	Enclosure: OPSB		
Nameplate Data			460 V, 60 Hz: High Voltage Connection		
Rated Output (HP)	5	Full Load Torque	7.66 LB-FT		
Volts	230/460	Start Configuration	direct on line		
Full Load Amps	12/6	Breakdown Torque	29.99 LB-FT		
R.P.M.	3450	Pull-up Torque	17.89 LB-FT		
Hz	60 Phase	3	Locked-rotor Torque	22.24 LB-FT	
NEMA Design Code	A	KVA Code	K	Starting Current	49.63 A
Service Factor (S.F.)	1.15	No-load Current	1.99 A		
NEMA Nom. Eff.	86.5	Power Factor	91	Line-line Res. @ 25°C	3.07 Ω
Rating - Duty	40C	AMB-CONT	Temp. Rise @ Rated Load		34°C
S.F. Amps			Temp. Rise @ S.F. Load		42°C
			Locked-rotor Power Factor	49.2	
			Rotor inertia	0.0988 LB-FT ²	

Load Characteristics 460 V, 60 Hz, 5 HP

% of Rated Load	25	50	75	100	125	150	S.F.
Power Factor	61	79	87	90	92	93	92
Efficiency	81.4	86.5	87.6	86.6	85.3	83.5	86.1
Speed	3566	3535	3503	3465	3423	3379	3445
Line amperes	2.5	3.49	4.68	6.06	7.56	9.15	6.91

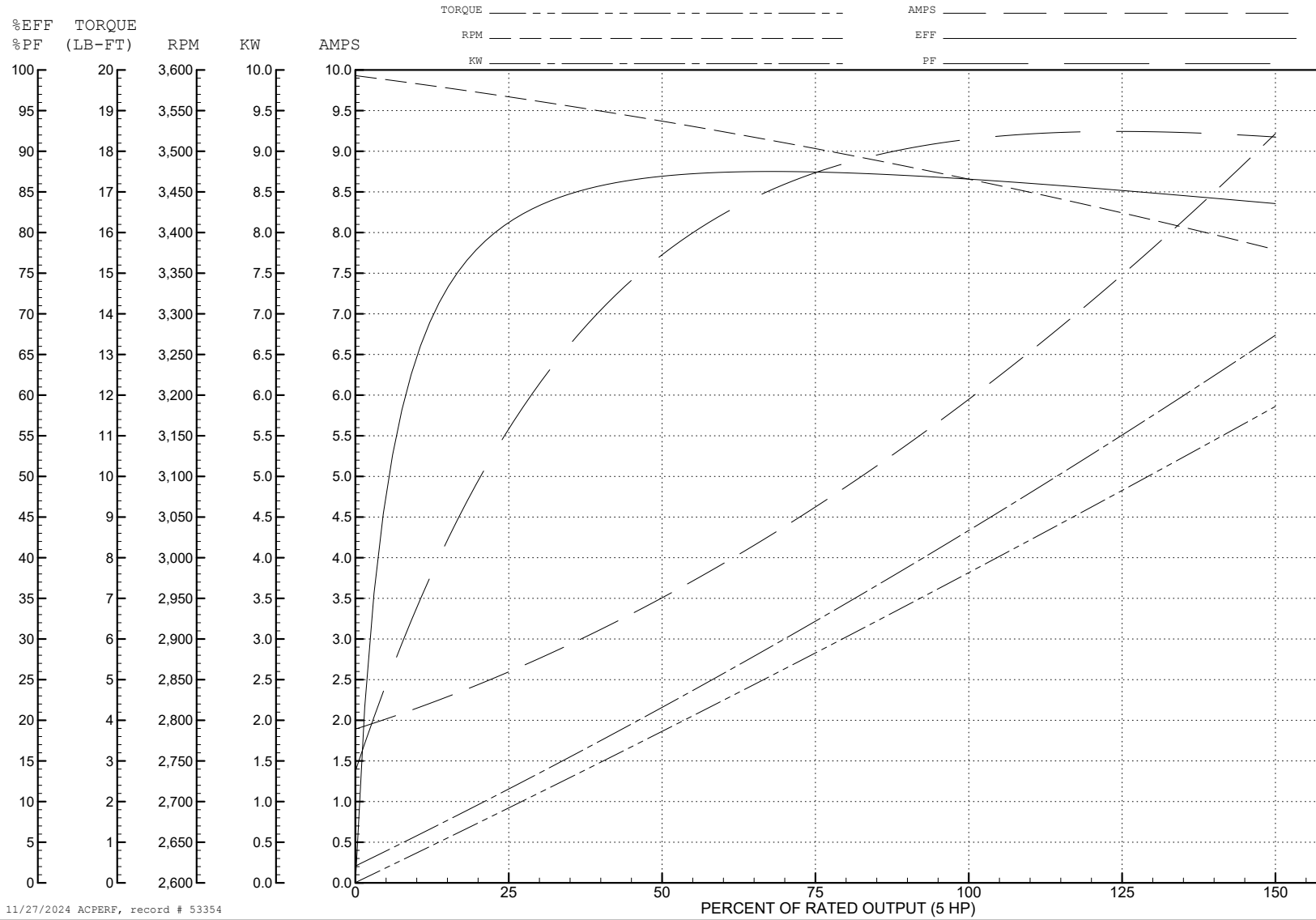
ABB Motors and Mechanical Inc.

WINDING # 36WGS040

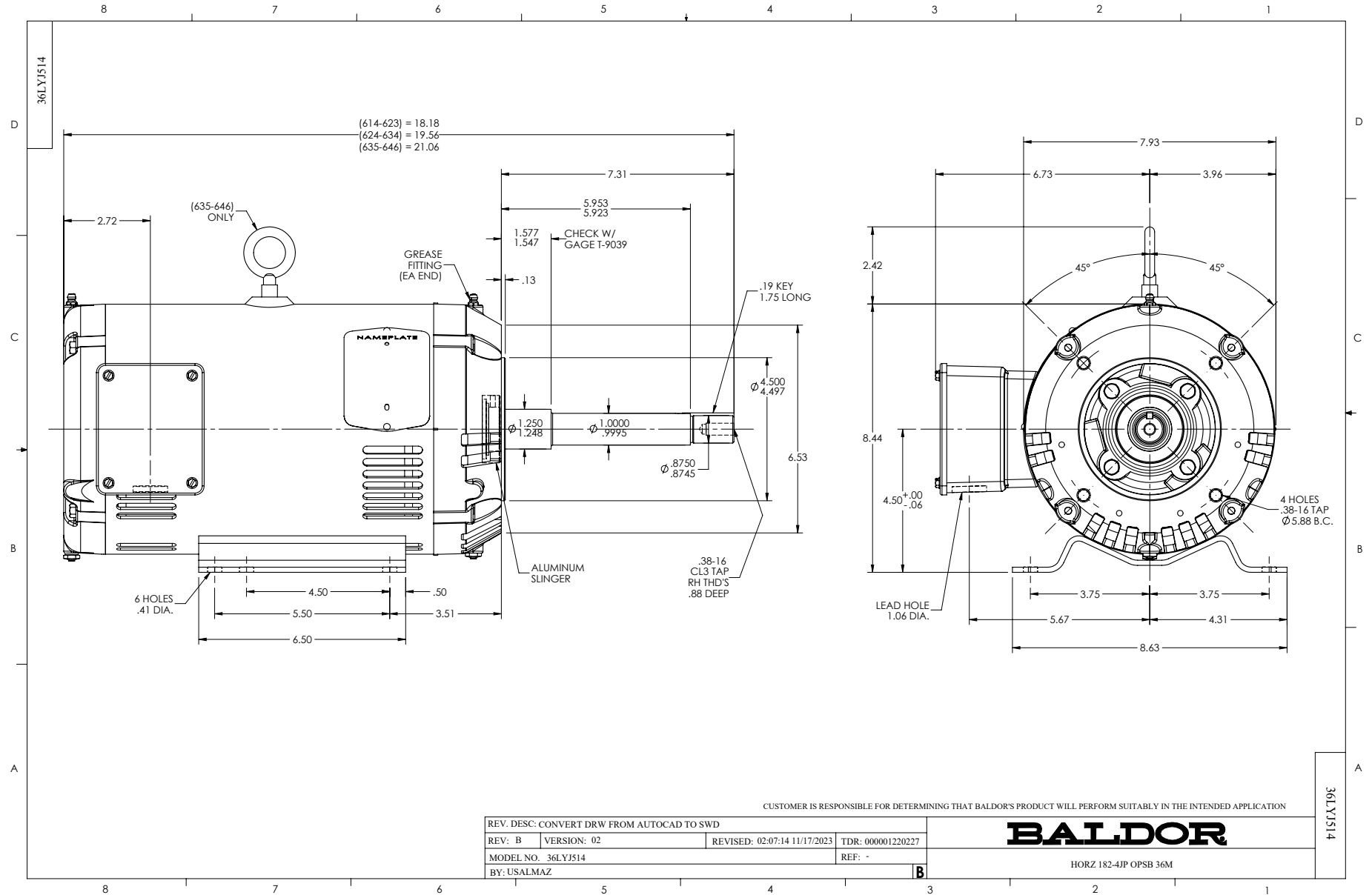
5 HP 3 PH 60 HZ 3450 RPM 460 V 3622M

Typical performance - not guaranteed values.

TORQUES (LB-FT): PO=29.99 PU=17.89 LR=22.24 LRA=49.63



11/27/2024 ACPERF, record # 53354



CD0005



LOW VOLTAGE
(2Y)



LINE

HIGH VOLTAGE
(1Y)



LINE

NOTES:

1. INTERCHANGE ANY TWO LINE LEADS TO REVERSE ROTATION.
2. OPTIONAL THERMOSTATS ARE PROVIDED WHEN SPECIFIED.
3. ACTUAL NUMBER OF INTERNAL PARALLEL CIRCUITS MAY BE A MULTIPLE OF THOSE SHOWN ABOVE.
4. LEAD COLORS ARE OPTIONAL. LEADS MUST ALWAYS BE NUMBERED AS SHOWN.

CD0005

REV. DESC: REVISE TO SHOW OPTIONAL COLORS			
REV. LTR: E	BY: JLP	REVISED: 01/19/99 10:15	TDR: 0171435
S00000		FILE: AAA00005140	MDL: -
		MTL: -	

BALDOR ELECTRIC Co.

3PH, DV, 9 LEADS