

**BALDOR • RELIANCE**

---

# Customer information packet

## EJPM3219T

7.5HP/3500RPM/3PH/OPSB/NEMA 184JP

Class - None

Division - Not Applicable

Copyright © All product information within this document is subject to ABB Motors and Mechanical Inc. copyright © protection, unless otherwise noted.

11/27/2024 3:43:27 PM

## Specifications

Enclosure	OPSB
Frame	184JP
Frame Material	Steel
Frequency	60.00 Hz
Haz Area Class and Group	None
Haz Area Division	Not Applicable
Motor Letter Type	Three Phase
Output @ Frequency	7.500 HP @ 60 HZ
Phase	3
Synchronous Speed @ Frequency	3600 RPM @ 60 HZ
Voltage @ Frequency	460.0 V @ 60 HZ 230.0 V @ 60 HZ
Agency Approvals	CSA EEV NEMA PREMIUM UR CSA
Ambient Temperature	40 °C
Auxillary Box	No Auxillary Box
Auxillary Box Lead Termination	None
Base Indicator	Rigid
Bearing Grease Type	Polyrex EM (-20F +300F)
Blower	None
Current @ Voltage	18.000 A @ 208.0 V 8.600 A @ 460.0 V 17.200 A @ 230.0 V
Design Code	A
Drip Cover	No Drip Cover
Duty Rating	CONT
Efficiency @ 100% Load	88.5 %
Electrically Isolated Bearing	Not Electrically Isolated
Feedback Device	NO FEEDBACK
Front Face Code	Standard

## Part detail

Revision	K
Type	AC
Mech. spec.	36J514
Base	
Status	PRD/A
Elec. spec.	36WGS516
Layout	36LYJ514
Eff. date	05-01-2024
CD Diagram	CD0005
Poles	02
Leads	9#16
Proprietary	False
Created date	05-27-2015

Front Shaft Indicator	None
Heater Indicator	No Heater
High Voltage Full Load Amps	8.6 a
Insulation Class	F
Inverter Code	Inverter Ready
KVA Code	L
Lifting Lugs	No Lifting Lugs
Locked Bearing Indicator	Locked Bearing
Motor Lead Exit	Ko Box
Motor Lead Quantity/Wire Size	9 @ 16 AWG
Motor Lead Termination	Flying Leads
Motor Standards	NEMA
Motor Type	3632M
Mounting Arrangement	F1
Number of Poles	2
Overall Length	19.56 IN
Power Factor	89
Product Family	General Purpose
Pulley End Bearing Type	Ball
Pulley Face Code	C-Face
Pulley Shaft Indicator	Tapped & Key
Rodent Screen	Included
Service Factor	1.15
Shaft Diameter	0.875 IN
Shaft Extension Location	Pulley End
Shaft Ground Indicator	No Shaft Grounding
Shaft Rotation	Reversible
Shaft Slinger Indicator	No Slinger
Speed	3450 rpm
Speed Code	Single Speed
Starting Method	Direct on line
Thermal Device - Bearing	None
Thermal Device - Winding	None
Vibration Sensor Indicator	No Vibration Sensor

Winding Thermal 1	None
Winding Thermal 2	None

---

**Nameplate**

<b>NP1259L</b>										
<b>CAT.NO.</b>	EJPM3219T									
<b>SPEC.</b>	36J514S516G1									
<b>HP</b>	7.5									
<b>VOLTS</b>	230/460									
<b>AMP</b>	17.2/8.6									
<b>RPM</b>	3450									
<b>FRAME</b>	184JP	<b>HZ</b>	60	<b>PH</b>	3					
<b>SER.F.</b>	1.15	<b>CODE</b>	L	<b>DES</b>	A	<b>CL</b>	F			
<b>NEMA-NOM-EFF</b>	88.5	<b>PF</b>	89							
<b>RATING</b>	40C AMB-CONT									
<b>CC</b>	010A									
<b>DE</b>	6207	<b>ODE</b>	6205							
<b>ENCL</b>	OPSB	<b>SN</b>								

## Parts list

Part number	Description	Quantity
SA302035	SA 36J514S516G1	1.000 ea
RA289118	RA 36J514S516G1	1.000 ea
36CB3004	36 CB CASTING W/1.09 DIA LEAD HOLE @ 6:0	1.000 ea
51XB1016A07	10-16 X 7/16 HXWSSLD SERTYB	2.000 ea
11XW1032G06	10-32 X .38, TAPTITE II, HEX WSHR SLTD U	1.000 ea
HW3001B01	BRASS CUP WASHER, FOR #10 SCREW	1.000 ea
36EP3204D00	MASTER ODE,205 BRG,GRSR,RLF	1.000 ea
HW4500A01	1641B(ALEMITE)400 UNIV, GREASE FITT	1.000 ea
HW4500A17	317400 ALEMITE GREASE RELIEF	1.000 ea
HA1103A08	RODENT SCREEN, 36 FRAME, OPEN, FRONT END	1.000 ea
51XW1032A06	10-32 X .38, TAPTITE II, HEX WSHR SLTD S	4.000 ea
HW1000A10	#10 FLAT WASHER (SAE)	4.000 ea
HW5100A05	WVY WSHR F/205 & 304 BRGS	1.000 ea
36EP3405A04	PUEP 182-4C OPEN 207 BRG W/ TSLV, GRSR	1.000 ea
HW4500A01	1641B(ALEMITE)400 UNIV, GREASE FITT	1.000 ea
HW4500A17	317400 ALEMITE GREASE RELIEF	1.000 ea
HA1102A07	RODENT SCREEN 36 OPEN FACE	2.000 ea
51XT1032A04	10-32X1/4 HX WA SL SR TYT (F/S)	4.000 ea
HW1000A10	#10 FLAT WASHER (SAE)	4.000 ea
10XN2520A24	1/4-20X 1 1/2 HEX HD X	4.000 ea
HW1001A25	LOCKWASHER 1/4, ZINC PLT .493 OD, .255 I	4.000 ea
36CB4516	750LIPPED CB LID - GALVANNEAL	1.000 ea
51XW0832A07	8-32 X .44, TAPTITE II, HEX WSHR SLTD SE	4.000 ea
HA2009A01	ALUM SLINGER 307 BRG CLOSE CPL PUMP MOTO	1.000 ea
80XN1032J06	10-32 X 3/8 SET SCREW, HEX SOC, CUP PT	1.000 ea
HW2501D15	KEY, 3/16 X 1.625	1.000 ea
HA7000A01	KEY RETAINER 7/8" DIA SHAFT	1.000 ea
85XU0407S04	4X1/4 U DRIVE PIN STAINLESS	2.000 ea
MJ1000A02	GREASE, POLYREX EM EXXON	0.050 lb
MG1050Y01	CELEROL BALDOR GOLD *** NLA IN 5 GALLON	0.022 ga
36AD2004A01	BAFFLE PLATE,MOD 36-SLTD BAND MTRS DELTA	2.000 ea

HA3101A26	THRUBOLT- 1/4-20 X 11.375	4.000 ea
LC0005E01	CONN.DIA./WARNING LABEL (LC0005/LB1119N)	1.000 ea
NP1259L	ALUM SUPER-E UL CC NEMA PREMIUM A60	1.000 ea
GOPA1000	PKG GRP, PRINT PK1026A06	1.000 ea
MN416A01	TAG-INSTAL-MAINT no wire (2500bx)4/22	1.000 ea
FE-0000004	ZRTG FE ASSEMBLY	1.000 ea

**AC Induction Motor Performance Data**

Record # 51132

Typical performance - not guaranteed values

Winding: 36WGS516-R012		Type: 3632M	Enclosure: ODP
<b>Nameplate Data</b>		<b>460 V, 60 Hz: High Voltage Connection</b>	
Rated Output (HP)	7.5	Full Load Torque	11.3 LB-FT
Volts	230/460	Start Configuration	direct on line
Full Load Amps	17.2/8.6	Breakdown Torque	55.2 LB-FT
R.P.M.	3450	Pull-up Torque	37 LB-FT
Hz	60 Phase	Locked-rotor Torque	42.6 LB-FT
NEMA Design Code	A KVA Code	Starting Current	86.3 A
Service Factor (S.F.)	1.15	No-load Current	3.02 A
NEMA Nom. Eff.	88.5 Power Factor	Line-line Res. @ 25°C	1.59 Ω
Rating - Duty	40C AMB-CONT	Temp. Rise @ Rated Load	43°C
S.F. Amps		Temp. Rise @ S.F. Load	53°C
		Locked-rotor Power Factor	47.4
		Rotor inertia	0.143 LB-FT <sup>2</sup>

**Load Characteristics 460 V, 60 Hz, 7.5 HP**

% of Rated Load	25	50	75	100	125	150	S.F.
Power Factor	57	80	87	91	93	93	92
Efficiency	82.2	88.2	89.5	89.4	88.4	86.4	88.8
Speed	3572	3543	3513	3479	3443	3404	3457
Line amperes	3.68	4.98	6.72	8.63	10.7	13.1	9.87



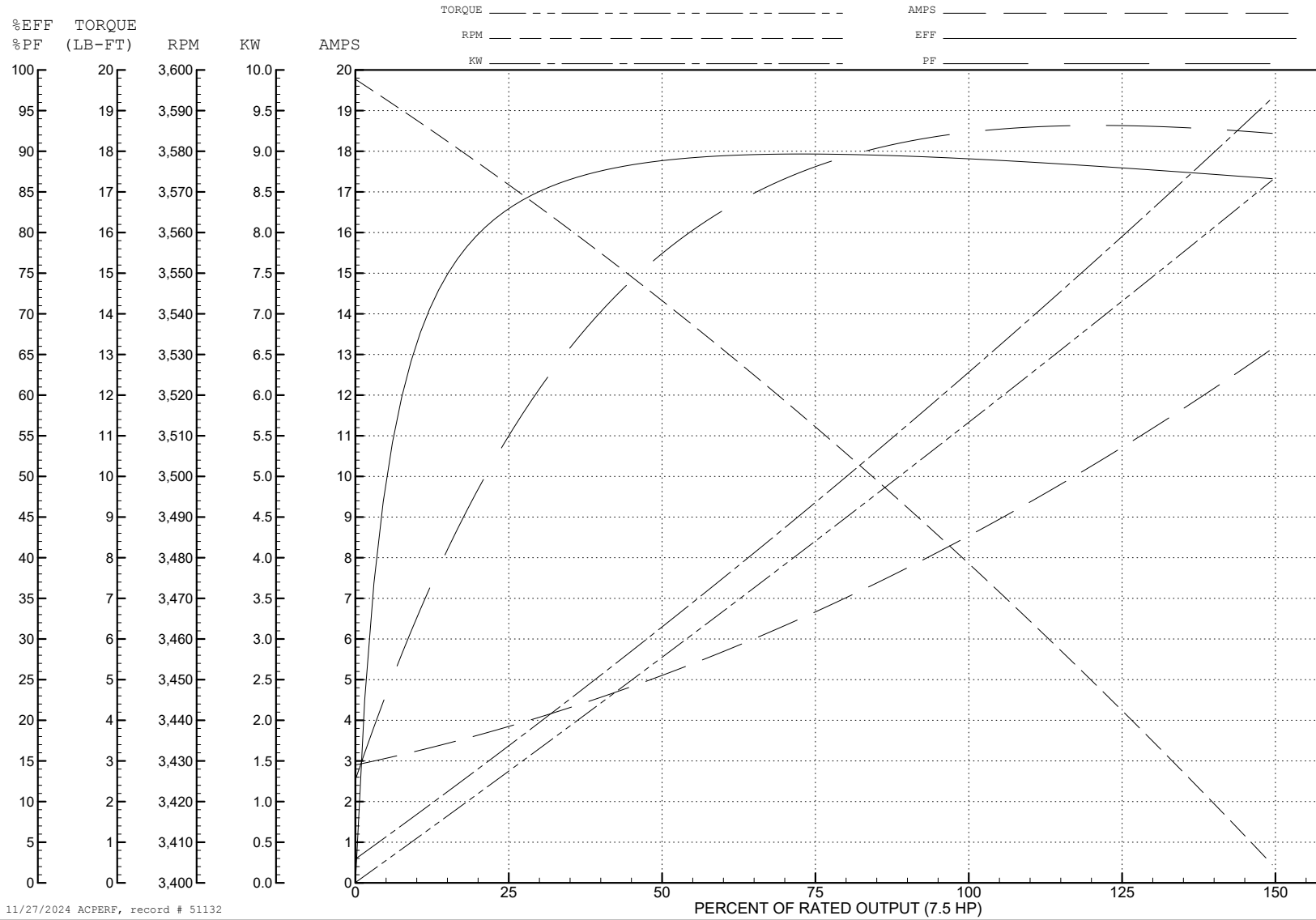
ABB Motors and Mechanical Inc.

WINDING # 36WGS516

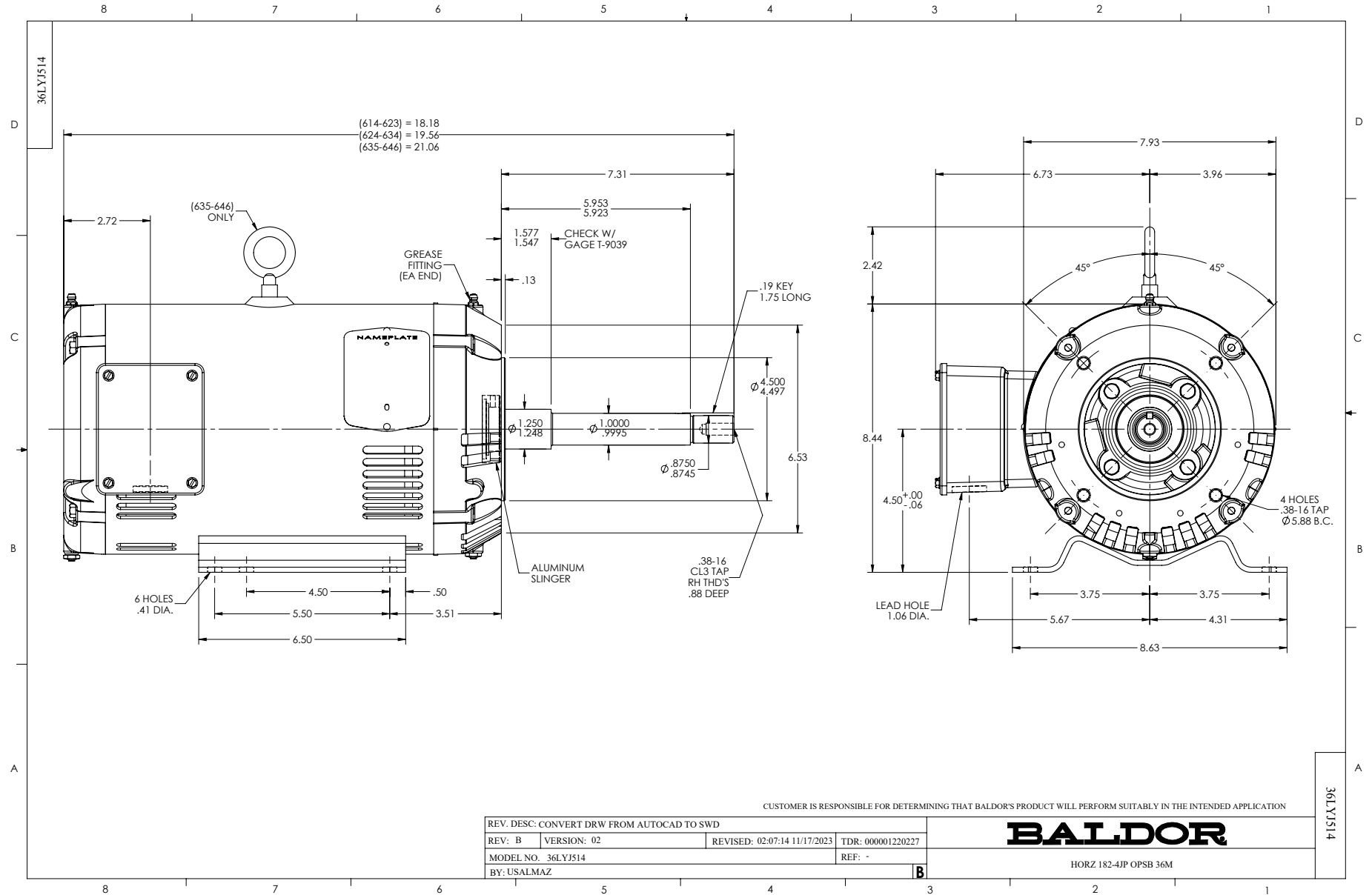
7.5 HP 3 PH 60 HZ 3450 RPM 460 V 3632M

Typical performance - not guaranteed values.

TORQUES (LB-FT): PO=55.2 PU=37 LR=42.6 LRA=86.3



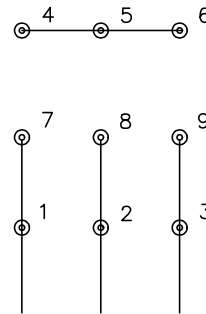
11/27/2024 ACPERF, record # 51132



CD0005

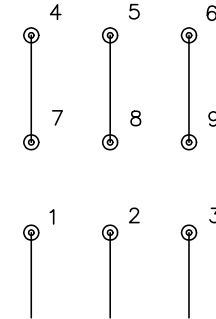


LOW VOLTAGE  
(2Y)



LINE

HIGH VOLTAGE  
(1Y)



LINE

NOTES:

1. INTERCHANGE ANY TWO LINE LEADS TO REVERSE ROTATION.
2. OPTIONAL THERMOSTATS ARE PROVIDED WHEN SPECIFIED.
3. ACTUAL NUMBER OF INTERNAL PARALLEL CIRCUITS MAY BE A MULTIPLE OF THOSE SHOWN ABOVE.
4. LEAD COLORS ARE OPTIONAL. LEADS MUST ALWAYS BE NUMBERED AS SHOWN.

CD0005

REV. DESC: REVISE TO SHOW OPTIONAL COLORS			
REV. LTR: E	BY: JLP	REVISED: 01/19/99 10:15	TDR: 0171435
S00000		FILE: AAA00005140	MDL: -
		MTL: -	

BALDOR ELECTRIC Co.

3PH, DV, 9 LEADS