



---

# Customer information packet

## EM251302T-4

300HP, 3565RPM, 3PH, 60HZ, 447TS, A44084M, DP

Class - None

Division - Not Applicable

## Specifications

Enclosure	DP
Frame	447TS
Frame Material	Iron
Frequency	60.00 Hz
Haz Area Class and Group	None
Haz Area Division	Not Applicable
Motor Letter Type	Three Phase
Output @ Frequency	300.000 HP @ 60 HZ
Phase	3
Synchronous Speed @ Frequency	3600 RPM @ 60 HZ
Voltage @ Frequency	460.0 V @ 60 HZ
Agency Approvals	CCSAUSEEV
Ambient Temperature	40 °C
Auxillary Box	No Auxillary Box
Base Indicator	Rigid
Bearing Grease Type	Polyrex EM (-20F +300F)
Current @ Voltage	334.000 A @ 460.0 V
Design Code	B
Drip Cover	No Drip Cover
Duty Rating	CONT
Efficiency @ 100% Load	95.4 %
Feedback Device	NO FEEDBACK
Heater Indicator	No Heater
High Voltage Full Load Amps	334.0 a
Insulation Class	F
Inverter Code	Inverter Ready
IP Rating	NONE
KVA Code	G
Lifting Lugs	Standard Lifting Lugs
Motor Lead Quantity/Wire Size	6 @ 2/0 AWG
Motor Standards	NEMA
Motor Type	A44084M

## Part detail

Revision	E
Type	AC
Mech. spec.	
Base	
Status	PRD/A
Elec. spec.	A44WG4106
Layout	604989-483
Eff. date	03-25-2019
CD Diagram	416820-008
Poles	02
Leads	6#2/0
Proprietary	False
Created date	02-12-2015

<b>Mounting Arrangement</b>	F1
<b>Number of Poles</b>	2
<b>Overall Length</b>	39.37 IN
<b>Power Factor</b>	88
<b>Product Family</b>	General Industrial
<b>Pulley End Bearing Type</b>	Ball
<b>Pulley Face Code</b>	Standard
<b>Service Factor</b>	1.15
<b>Shaft Diameter</b>	2.375 IN
<b>Shaft Ground Indicator</b>	No Shaft Grounding
<b>Shaft Rotation</b>	Reversible
<b>Shaft Slinger Indicator</b>	No Slinger
<b>Speed</b>	3565 rpm
<b>Speed Code</b>	Single Speed
<b>Starting Method</b>	Wye Start - Delta Run
<b>Thermal Device - Bearing</b>	None
<b>Thermal Device - Winding</b>	None

**Nameplate**

---

NP2496L	
MOBIL POLYREX EM	

---

**NP2349L**

<b>SPEC NO.</b>	A44-6805-4106	<b>CAT.NO.</b>	EM251302T-4	<b>FRAME</b>	447TSS/TS
<b>HP</b>	300	<b>VOLTS</b>	460	<b>PHASE</b>	3
<b>RPM</b>	3565	<b>AMPS</b>	334	<b>DESIGN</b>	B
<b>DRIVE END BEARING</b>	65BC03J30X	<b>DUTY</b>	CONT	<b>TYPE</b>	P
<b>OPP D.E. BEARING</b>	65BC03J30X	<b>ENCL</b>	DP	<b>INSUL.CLASS</b>	F
<b>SER.NO.</b>		<b>CODE</b>	G	<b>HZ</b>	60
		<b>POWER FACTOR</b>	88	<b>AMB</b>	40
				<b>SF</b>	1.15
				<b>NEMA-NOM-EFFICIENCY</b>	95.4
				<b>MAX CORR KVAR</b>	49
				<b>GUARANTEED EFFICIENCY</b>	94.5
				<b>NEMA NOM/CSA QUOTED EFF</b>	
				<b>MOTOR WEIGHT</b>	1749

## Parts list

Part number	Description	Quantity
SA293718	SA A44-6805-4106	1.000 ea
RA279810	RA A44-6805-4106	1.000 ea
421948044	LABEL, MYLAR	1.000 ea
NP2496L	MOTOR LUBE NAMEPLATE	1.000 ea
000613006PU	N/P (RELEASE QTY 10,000) UL CSA LABEL	1.000 ea
000692000FF	N/P	1.000 ea
000692000VD	LABEL WARNING	1.000 ea
NP2349L	SUPER-E ,SS, CURUS EEV, CC, LASER	1.000 ea
702611001A	BAFFL 440 SUB PAINT	1.000 ea
089438082A	BRKT 440 089438081WCB	1.000 ea
004824015A	GREASE POLYREX EM	0.540 lb
032018028EK	HHCS 5/8-11X3-1/2L PLTD	4.000 ea
032018028CK	HHCS 3/8-16X3-1/2 PLTD.	3.000 ea
410700004F	WSHR	1.000 ea
034017012AB	LCKW 1/4 STD. PLATED 034017012AF	4.000 ea
405851012AF	SPACE	4.000 ea
032018012AK	HHCS 1/4-20X1-1/2 PLTD.	4.000 ea
034690002AB	PPLG 1/4" PLTD.	1.000 ea
034690002AB	PPLG 1/4" PLTD.	1.000 ea
034000012AB	WSHR 1/4 STD. PLATED	4.000 ea
035000001A	ALFTG 1/8" 1610-BL	1.000 ea
035000001A	ALFTG 1/8" 1610-BL	1.000 ea
405851012AF	SPACE	4.000 ea
047174001Z	EXT SNAP RING	1.000 ea
034017012AB	LCKW 1/4 STD. PLATED 034017012AF	4.000 ea
034000012AB	WSHR 1/4 STD. PLATED	4.000 ea
032018012AK	HHCS 1/4-20X1-1/2 PLTD.	4.000 ea
089438082A	BRKT 440 089438081WCB	1.000 ea
702611001A	BAFFL 440 SUB PAINT	1.000 ea
032018028EK	HHCS 5/8-11X3-1/2L PLTD	4.000 ea
032018028CK	HHCS 3/8-16X3-1/2 PLTD.	3.000 ea

702658001B	+C/BOX, PAINTED 440	1.000 ea
702658002A	+C/BOX CVR, PAINTED 440	1.000 ea
406056008A	GASKET, TERBD 440	1.000 ea
418153001A	GASK 440	1.000 ea
032018008DK	HHCS 1/2-13X1 PLATED	4.000 ea
415000103D	T/LUG #4AWG-1/0AWG W/HOLE FOR .250 BOLT	1.000 ea
033512006LB	HHTTS 1/4-20X3/4 PLTD.	8.000 ea
033512004LB	HHTTS 1/4-20X1/2 PLTD.	1.000 ea
MG1025Y17	WILKOFAS, 789.701, SUPER E PEARL GOLD	2.000 ga
033775004EA	DRSCR #6-1/4 304 S.S.	2.000 ea
034180024HA	KEY 5/8X5/8X3 L	1.000 ea
604797056	400-447 FRAME 60 X 42	1.000 ea
032510026D	CARRIAGE BOLT - 440	2.000 ea
034001016AB	WSHR .562ID 1.375OD .109	2.000 ea
034001014AB	FLAT WASHER 3/8"PLATED	2.000 ea
033300014AC	HEX NUT, SHIPPING - 400	2.000 ea
604799003C	PLASTIC BAG 42X32X46	1.000 ea
048897010DG	PLUG,ODE BRKT - 360	1.000 ea









604989-483

### DUTY MASTER ALTERNATING CURRENT MOTORS

ENCLOSURE: TOTALLY ENCLOSED

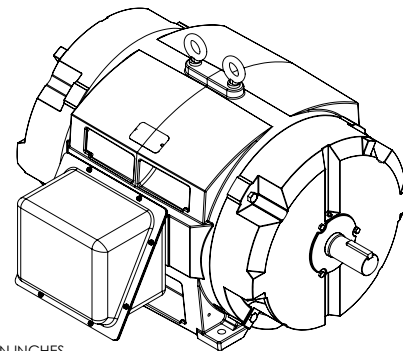
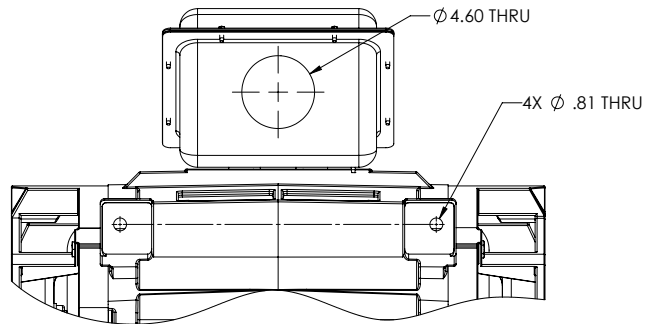
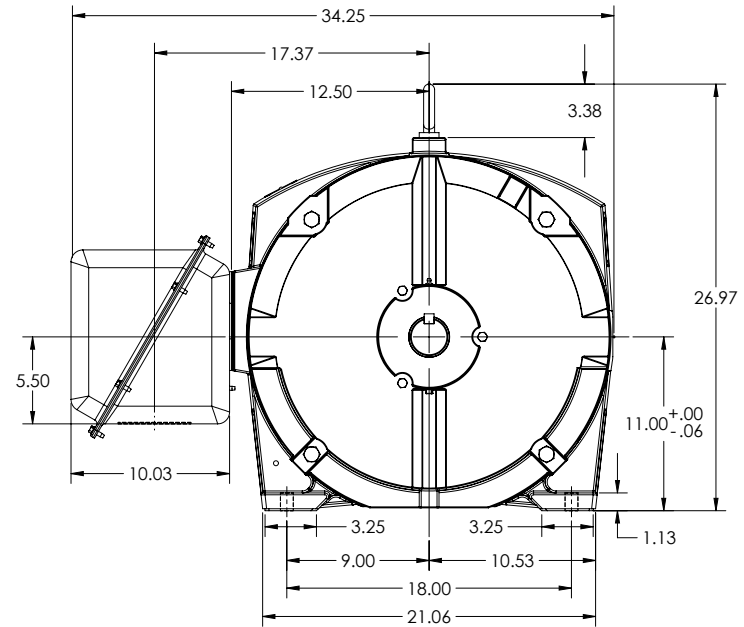
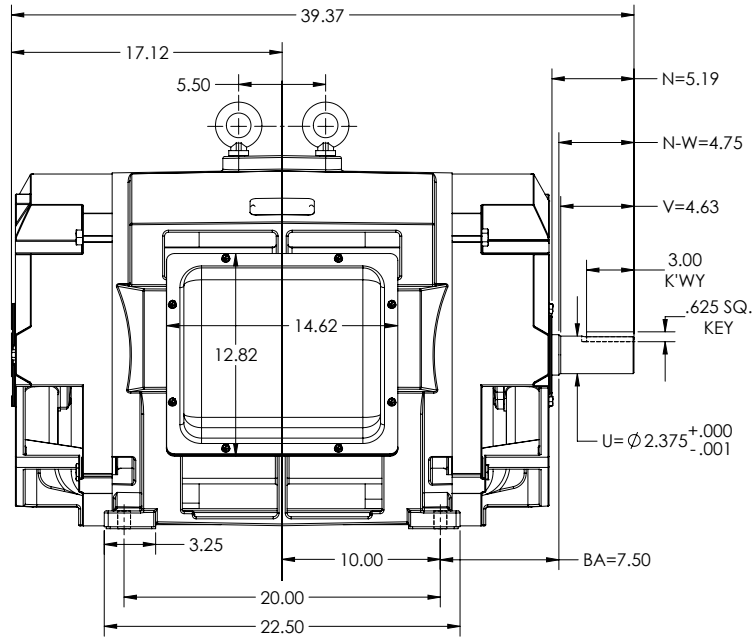
SQUIRREL-CAGE INDUCTION

COOLING: OPEN DRIP-PROOF

MOUNTING: FOOT, F-1

FRAME E447TS

STEEL CONDUIT BOX



DIMENSIONS ARE IN INCHES

CUSTOMER IS RESPONSIBLE FOR DETERMINING THAT MOTOR PERFORMANCE IS SUITABLE IN THE APPLICATION.

REV. DESC: UPDATE MODEL TO ADD EXTERNAL HARDWARE PER PROD MGM			
REV: B	VERSION: 02	REVISED: 07-26-15 07/14/2022	TDR: 000001193529
MODEL NO. 604989-483			
BY: USBUFA			

**BALDOR**

E447TS ODP FOOT - F1 - STEEL CONDUIT BOX

SHEET NUMBER  
1 OF 1

ESP-686F09

CONDUIT BOX LOCATED ON OPPOSITE SIDE WHEN F-2.  
IF MOUNTING CLEARANCE DETAILS ARE REQUIRED, CONSULT FACTORY.  
MAXIMUM PERMISSIBLE SHAFT RUNOUT WHEN MEASURED AT END OF  
STANDARD SHAFT EXTENSION IS .003" T.I.R.

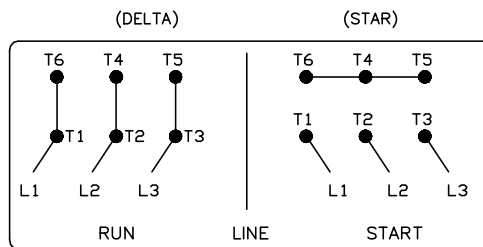
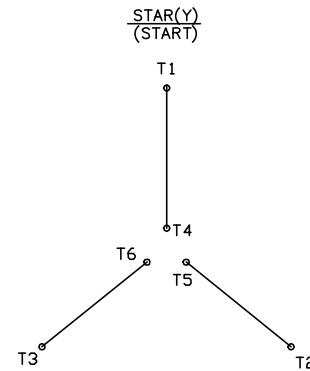
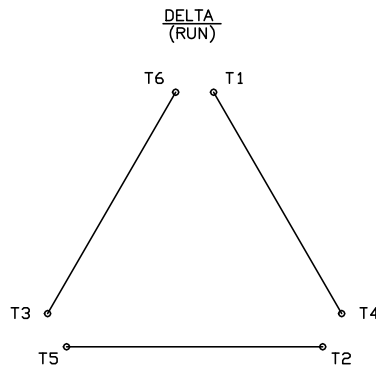
604989-483

416820-008

# A-C MOTOR CONNECTION DIAGRAM

STANDARD 6 LEAD

Y START - DELTA RUN



< N. P. 1767-DC >

REV. DESC: ADDED T4 TO Y CONNECT DIAGRAM		
REV. LTR: D	VERSION: 04	TDR: 00000847713
FILE: \RAG\00001\808	REVISED: 10: 41: 26 04/08/2014	BY: RAGJSS1
MTL: -	© □	

**BALDOR**

CONNECT DIAGRAM STD 6 LEAD Y START DELTA RUN

SH 1 of 1

416820-008