

**BALDOR • RELIANCE**

---

# Customer information packet

## EM2532T-G

25HP, 1180RPM, 3PH, 60HZ, 324T, 4072M, OPSB, F1

## Specifications

Enclosure	OPSB
Frame	324T
Frame Material	Steel
Frequency	60.00 Hz
Motor Letter Type	Three Phase
Output @ Frequency	25.000 HP @ 60 HZ
Phase	3
Synchronous Speed @ Frequency	1200 RPM @ 60 HZ
Voltage @ Frequency	230.0 V @ 60 HZ 460.0 V @ 60 HZ
Agency Approvals	CSA CSA EEV UR
Ambient Temperature	40 °C
Auxillary Box	No Auxillary Box
Auxillary Box Lead Termination	None
Base Indicator	Rigid
Bearing Grease Type	Polyrex EM (-20F +300F)
Blower	None
Current @ Voltage	68.000 A @ 230.0 V 70.000 A @ 208.0 V 34.000 A @ 460.0 V
Design Code	A
Drip Cover	No Drip Cover
Duty Rating	CONT
Efficiency @ 100% Load	93.0 %
Electrically Isolated Bearing	Not Electrically Isolated
Feedback Device	NO FEEDBACK
Front Face Code	Standard
Front Shaft Indicator	None
Heater Indicator	No Heater
High Voltage Full Load Amps	34.0 a

## Part detail

Revision	T
Type	AC
Mech. spec.	40E245
Base	
Status	PRD/A
Elec. spec.	40WGX192
Layout	40LYE245
Eff. date	11-29-2023
CD Diagram	CD0180
Poles	06
Leads	9#10
Proprietary	False
Created date	12-01-2011

Insulation Class	H
Inverter Code	Inverter Ready
KVA Code	J
Lifting Lugs	Standard Lifting Lugs
Locked Bearing Indicator	No Locked Bearing
Motor Lead Exit	Ko Box
Motor Lead Quantity/Wire Size	9 @ 10 AWG
Motor Lead Termination	Flying Leads
Motor Standards	NEMA
Motor Type	4072M
Mounting Arrangement	F1
Number of Poles	6
Overall Length	27.69 IN
Power Factor	76
Product Family	General Purpose
Pulley End Bearing Type	Ball
Pulley Face Code	Standard
Pulley Shaft Indicator	Standard
Rodent Screen	None
Service Factor	1.15
Shaft Diameter	2.125 IN
Shaft Extension Location	Pulley End
Shaft Ground Indicator	Shaft Grounding
Shaft Rotation	Reversible
Shaft Slinger Indicator	No Slinger
Speed	1180 rpm
Speed Code	Single Speed
Starting Method	Direct on line
Thermal Device - Bearing	None
Thermal Device - Winding	None
Vibration Sensor Indicator	No Vibration Sensor
Winding Thermal 1	None
Winding Thermal 2	None

**Nameplate**

NP2138LUA										
<b>CAT.NO.</b>	EM2532T-G		<b>P/N</b>				<b>ENCLOSURE</b>	OPSB		
<b>SPEC.</b>	40E245X192G1	<b>CC</b>	010A	<b>FRAME</b>	324T	<b>S/N</b>				
<b>HP</b>	25	<b>CLASS</b>	H	<b>HZ</b>	60					
<b>RPM</b>	1180	<b>PH</b>	3	<b>DES</b>	A					
<b>VOLT</b>	230/460		<b>KVA-CODE</b>	J	<b>ODE BRG</b>	6309	<b>DE BRG</b>	6312		
<b>AMP</b>	68/34									
<b>RATING</b>	40C AMB-CONT			<b>GREASE</b>	POLYREX EM					
<b>NEMA-NOM-EFF</b>	93	<b>PF</b>	76	<b>SER.F.</b>	1.15					
	50HZ 25HP 190/380V 78/39A				SF1.0					
<b>HTR-VOLTS</b>	<b>HTR-AMPS</b>									

## Parts list

Part number	Description	Quantity
SA235125	SA 40E245X192G1	1.000 ea
RA222088	RA 40E245X192G1	1.000 ea
HA6361A01	LIFTING LUG FOR 37, 39 & 40 FRAME ZINC	2.000 ea
HA6017	CAST ADAPTER, 40,42 KOBX	1.000 ea
19XW3118A12	.31-18 X .75 HEX WASHER HEAD TAPTITE II	2.000 ea
HW1001A31	LOCKWASHER 5/16, ZINC PLT.591 OD, .319 I	2.000 ea
WD1000B25	GND LUG, BURNDY L125HP OR T&B L125HP-BB	1.000 ea
19XW3118G08	.31-18X.50,HEX WSHR HD,TAPTITE 2,GREEN	1.000 ea
10CB3001	CONDUIT BOX CAST W/2.500 LEAD HOLE	1.000 ea
19XW3118A12	.31-18 X .75 HEX WASHER HEAD TAPTITE II	4.000 ea
HW1001A31	LOCKWASHER 5/16, ZINC PLT.591 OD, .319 I	4.000 ea
40EP3200A02	STD FREP OPEN 309 BRG	1.000 ea
HW5100A11	W3917-042 WVY WSHR (WB)	1.000 ea
40EP3201A04	PUEP, MACH - OPEN - FOR 312 BRG W/RET. R	1.000 ea
XY3816A12	3/8-16 FINISHED NUT W/SERRATIONS	8.000 ea
10XN3118K40	5/16-18 X 2.50" HEX HD, GRADE 5	4.000 ea
HW1001A31	LOCKWASHER 5/16, ZINC PLT.591 OD, .319 I	4.000 ea
10CB3500SP	CONDUIT BOX LID, CAST	1.000 ea
51XW2520A12	.25-20 X .75, TAPTITE II, HEX WSHR SLTD	4.000 ea
HW2501H33	KEY, 1/2 SQ X 3.875	1.000 ea
HA4051A00	PLASTIC CAP FOR GREASE FITTING	1.000 ea
MN416A01	TAG-INSTAL-MAINT no wire (2500bx)4/22	1.000 ea
LB1350	BAR CODE LABEL FOR YORK	1.000 ea
HW4500A03	GREASE FITTING, .125 NPT 1610(ALEMITE) 8	1.000 ea
HW4500A20	1/8NPT SL PIPE PLUG	1.000 ea
MJ1000A02	GREASE, POLYREX EM EXXON	0.050 lb
HA4051A00	PLASTIC CAP FOR GREASE FITTING	1.000 ea
HW4500A03	GREASE FITTING, .125 NPT 1610(ALEMITE) 8	1.000 ea
HW4500A20	1/8NPT SL PIPE PLUG	1.000 ea
HA3154A12	THRUBOLT STUD 3/8-16 X 21.00	4.000 ea
MG1050Y01	CELEROL BALDOR GOLD *** NLA IN 5 GALLON	0.030 ga

85XU0407S04	4X1/4 U DRIVE PIN STAINLESS	4.000 ea
40AD2002A01	LEXAN BAFFLE 40 FR OPEN	1.000 ea
LB1624	COMBINED WARNING LABEL, ISO/ANSI PICTOGR	1.000 ea
40AD2002A01	LEXAN BAFFLE 40 FR OPEN	1.000 ea
LC0181	CONNECTION LABEL	1.000 ea
NP2138LUA	ALUM SUPER-E UL PREM CC (300SER)	1.000 ea
40PA1000	PACKAGING GROUP	1.000 ea

**AC Induction Motor Performance Data**

Record # 53040

Typical performance - not guaranteed values

Winding: 40WGX192-R004		Type: 4072M	Enclosure: OPSB	
<b>Nameplate Data</b>			<b>460 V, 60 Hz: High Voltage Connection</b>	
Rated Output (HP)	25	Full Load Torque	111 LB-FT	
Volts	230/460	Start Configuration	direct on line	
Full Load Amps	68/34	Breakdown Torque	410 LB-FT	
R.P.M.	1180	Pull-up Torque	205 LB-FT	
Hz	60 Phase	3	Locked-rotor Torque	217 LB-FT
NEMA Design Code	A KVA Code	J	Starting Current	236 A
Service Factor (S.F.)	1.15	No-load Current	16.7 A	
NEMA Nom. Eff.	93 Power Factor	76	Line-line Res. @ 25°C	0.29283 Ω
Rating - Duty	40C AMB-CONT	Temp. Rise @ Rated Load	40°C	
S.F. Amps		Temp. Rise @ S.F. Load	48°C	
		Locked-rotor Power Factor	31	
		Rotor inertia	8.82 LB-FT <sup>2</sup>	

**Load Characteristics 460 V, 60 Hz, 25 HP**

% of Rated Load	25	50	75	100	125	150	S.F.
Power Factor	36	57	69	76	79	80	78
Efficiency	88	92.3	93.2	93.2	92.7	92	92.9
Speed	1195.9	1192.3	1188.4	1184.9	1180.9	1176.1	1182
Line amperes	18.5	22.3	27.4	33.5	40.3	47.8	37.6

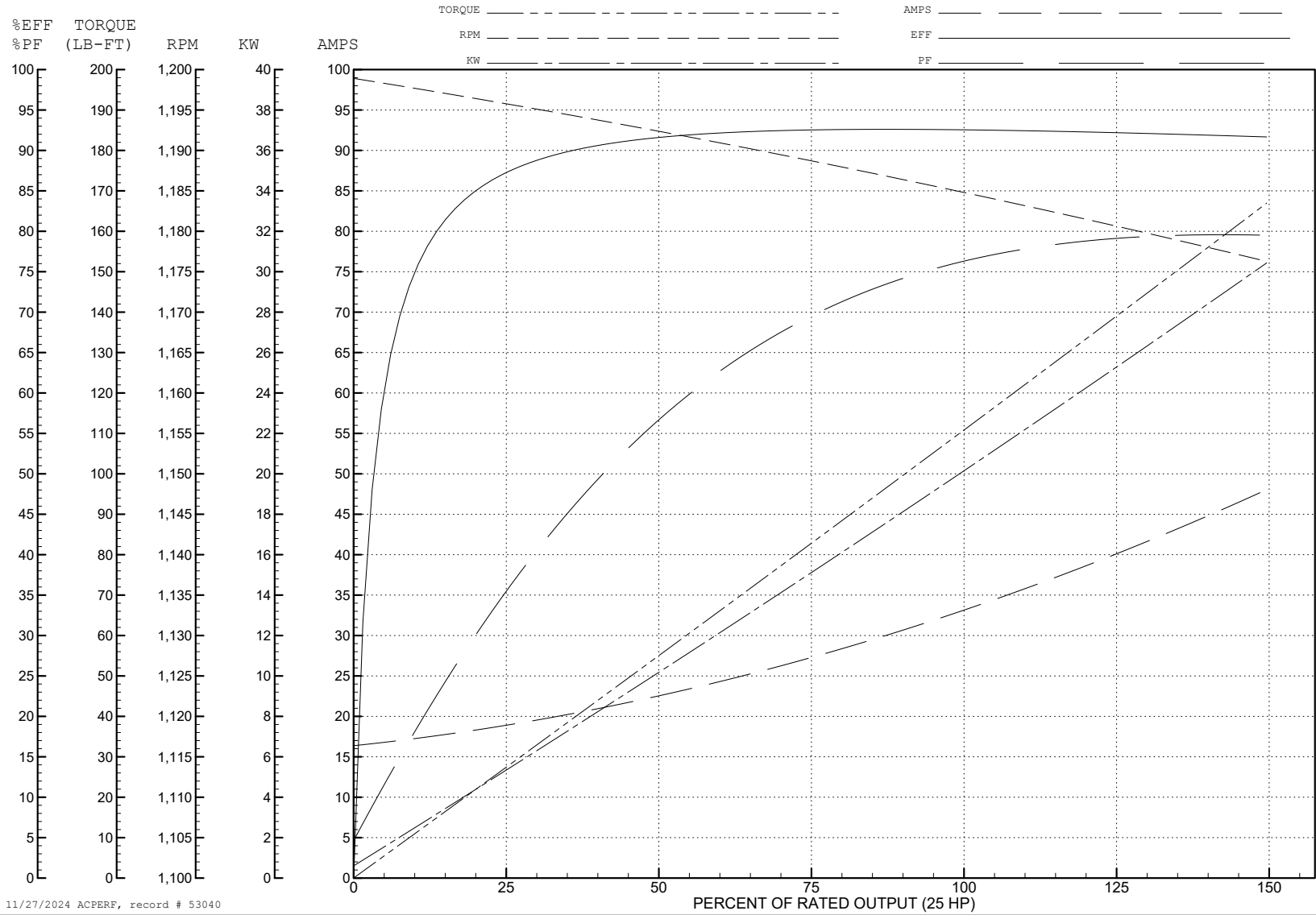
ABB Motors and Mechanical Inc.

WINDING # 40WGX192

Typical performance - not guaranteed values.

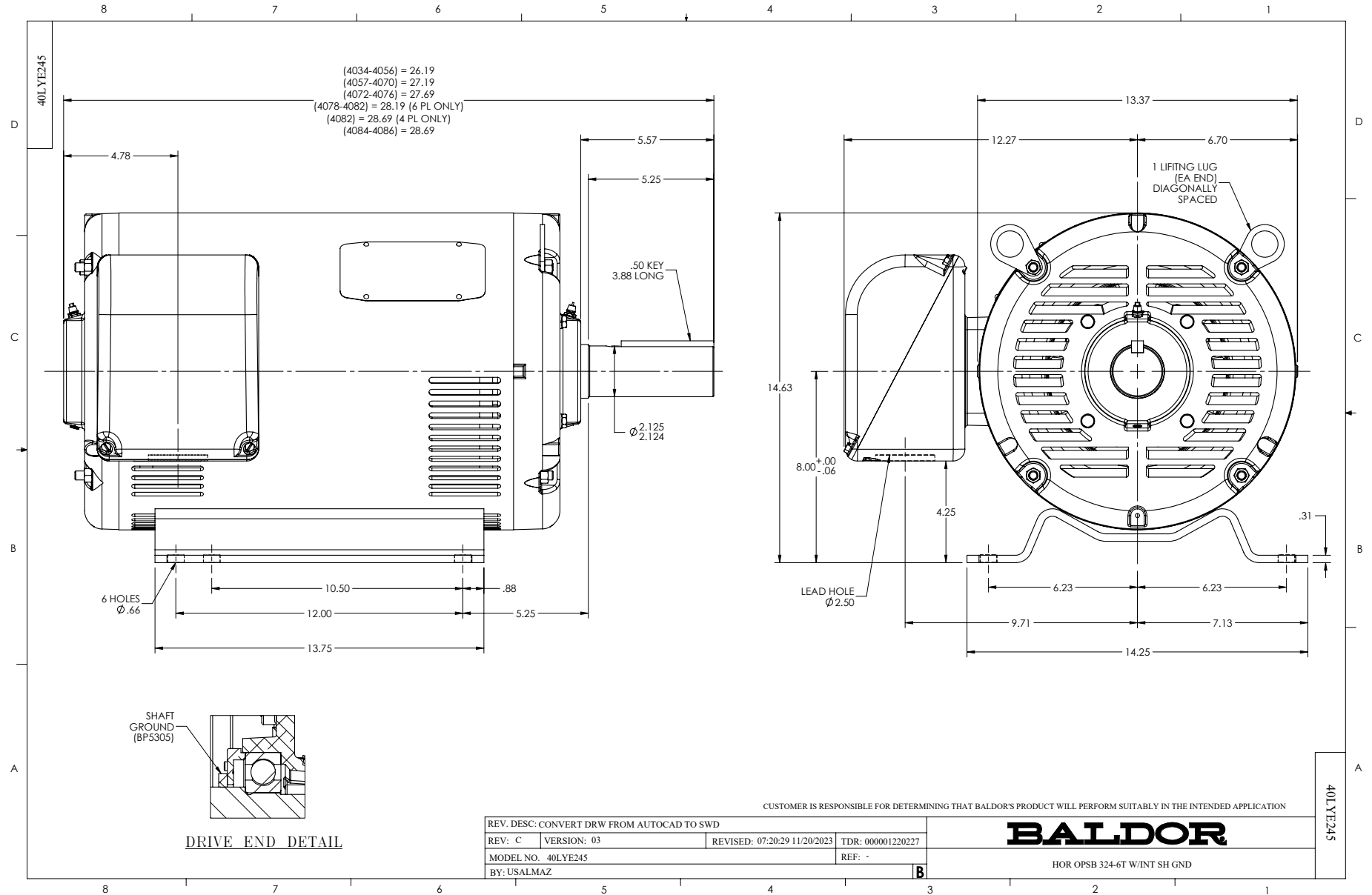
25 HP 3 PH 60 HZ 1180 RPM 460 V 4072M

TORQUES (LB-FT): PO=410 PU=205 LR=217 LRA=236

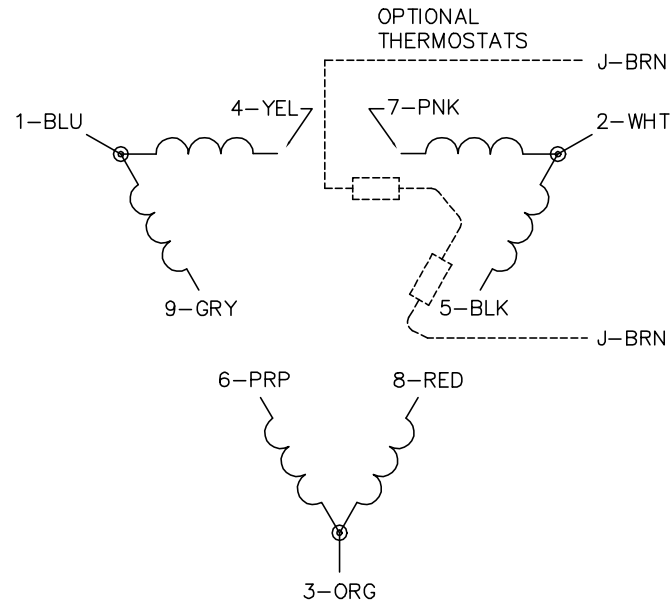


11/27/2024 ACPERF, record # 53040

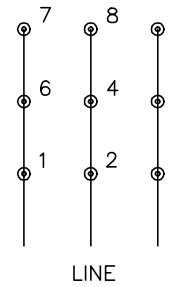




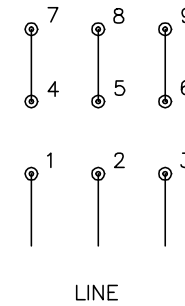
CD0180



LOW VOLTAGE  
(2D)



HIGH VOLTAGE  
(1D)



NOTES:

1. INTERCHANGE ANY TWO LINE LEADS TO REVERSE ROTATION.
2. OPTIONAL THERMOSTATS ARE PROVIDED WHEN SPECIFIED.
3. ACTUAL NUMBER OF INTERNAL PARALLEL CIRCUITS MAY BE A MULTIPLE OF THOSE SHOWN ABOVE.
4. LEAD COLORS ARE OPTIONAL. LEADS MUST ALWAYS BE NUMBERED AS SHOWN.

CD0180

REV. DESC: ADD CLASS CONN00000007		
REV. LTR: D	VERSION: 01	TDR: 000001099922
FILE: \AAA\00005\148	REVISED: 10: 25: 29 02/19/2019	BY: ENBRIRO
MTL: -	© □	

**BALDOR - RELIANCE®**

3PH, DV, 9 LEADS, DELTA CONNECTION

SH 1 of 1