

BALDOR • RELIANCE

Customer information packet

EM2538T

40HP, 3540RPM, 3PH, 60HZ, 286TS, 4046M, OPSB, F

Specifications

Enclosure	OPSB
Frame	286TS
Frame Material	Steel
Frequency	60.00 Hz
Motor Letter Type	Three Phase
Output @ Frequency	40.000 HP @ 60 HZ
Phase	3
Synchronous Speed @ Frequency	3600 RPM @ 60 HZ
Voltage @ Frequency	460.0 V @ 60 HZ 230.0 V @ 60 HZ
Agency Approvals	CSA EEV NEMA PREMIUM NEMA_PREMIUM UR
Ambient Temperature	40 °C
Auxillary Box	No Auxillary Box
Auxillary Box Lead Termination	None
Base Indicator	Rigid
Bearing Grease Type	Polyrex EM (-20F +300F)
Blower	None
Current @ Voltage	92.000 A @ 230.0 V 46.000 A @ 460.0 V 100.000 A @ 208.0 V
Design Code	B
Drip Cover	No Drip Cover
Duty Rating	CONT
Efficiency @ 100% Load	92.4 %
Electrically Isolated Bearing	Not Electrically Isolated
Feedback Device	NO FEEDBACK
Front Face Code	Standard
Front Shaft Indicator	None
Heater Indicator	No Heater

Part detail

Revision	V
Type	AC
Mech. spec.	40G51
Base	
Status	PRD/A
Elec. spec.	40WGX194
Layout	40LYG051
Eff. date	06-27-2024
CD Diagram	CD0180
Poles	02
Leads	9#8
Proprietary	False
Created date	10-15-2010

High Voltage Full Load Amps	46.0 a
Insulation Class	F
Inverter Code	Inverter Ready
IP Rating	NONE
KVA Code	G
Lifting Lugs	Standard Lifting Lugs
Locked Bearing Indicator	No Locked Bearing
Motor Lead Exit	Ko Box
Motor Lead Quantity/Wire Size	9 @ 8 AWG
Motor Lead Termination	Flying Leads
Motor Standards	NEMA
Motor Type	4046M
Mounting Arrangement	F1
Number of Poles	2
Overall Length	22.44 IN
Power Factor	89
Product Family	General Purpose
Pulley End Bearing Type	Ball
Pulley Face Code	Standard
Pulley Shaft Indicator	Standard
Rodent Screen	None
Service Factor	1.15
Shaft Diameter	1.625 IN
Shaft Extension Location	Pulley End
Shaft Ground Indicator	No Shaft Grounding
Shaft Rotation	Reversible
Shaft Slinger Indicator	No Slinger
Speed	3530 rpm
Speed Code	Single Speed
Starting Method	Direct on line
Thermal Device - Bearing	None
Thermal Device - Winding	None
Vibration Sensor Indicator	No Vibration Sensor
Winding Thermal 1	None

Winding Thermal 2

None

Nameplate

NP3554LUA

CAT.NO.	EM2538T	P/N		ENCL	OPSB
SPEC.	40G051X194	CC	010A	FRAME	286TS
HP	40	CLASS	F	HZ	60
RPM	3530	PH	3	DES	B
VOLTS	230/460	CODE	G	ODE BRG	6309
AMPS	92/46	DE BRG	6311		
RATING	40C AMB-CONT	NEMA-NOM-EFF	92.4	GREASE	POLYREX EM
PF	89	SER.F.	1.15	CT30-60(2:1) VT3-60(20:1)	
USABLE AT	50HZ 40HP 190/380V 112/56A		SF 1.0		
HTR-VOLTS	HTR-AMPS	MAX. SPACE HEATER TEMP.			

Parts list

Part number	Description	Quantity
SA204542	SA 40G051X194	1.000 ea
RA191789	RA 40G051X194	1.000 ea
HA6361A01	LIFTING LUG FOR 37, 39 & 40 FRAME ZINC	2.000 ea
HA6017	CAST ADAPTER, 40,42 KOBX	1.000 ea
19XW3118A12	.31-18 X .75 HEX WASHER HEAD TAPTITE II	2.000 ea
HW1001A31	LOCKWASHER 5/16, ZINC PLT.591 OD, .319 I	2.000 ea
WD1000B25	GND LUG, BURNDY L125HP OR T&B L125HP-BB	1.000 ea
19XW3118G08	.31-18X.50,HEX WSHR HD,TAPTITE 2,GREEN	1.000 ea
10CB3000SP	KOBX, CAST W/2.00 LEAD HOLE	1.000 ea
19XW3118A12	.31-18 X .75 HEX WASHER HEAD TAPTITE II	4.000 ea
HW1001A31	LOCKWASHER 5/16, ZINC PLT.591 OD, .319 I	4.000 ea
40EP3200A02	STD FREP OPEN 309 BRG	1.000 ea
HW5100A11	W3917-042 WVY WSHR (WB)	1.000 ea
40EP3200B05	STD PUEP OPEN 311 BRG	1.000 ea
XY3816A12	3/8-16 FINISHED NUT W/SERRATIONS	8.000 ea
10CB3500SP	CONDUIT BOX LID, CAST	1.000 ea
51XW2520A12	.25-20 X .75, TAPTITE II, HEX WSHR SLTD	4.000 ea
HW1001A25	LOCKWASHER 1/4, ZINC PLT .493 OD, .255 I	4.000 ea
HW2501G17	KEY, 3/8 SQ X 1.875	1.000 ea
MN416A01	TAG-INSTAL-MAINT no wire (2500bx)4/22	1.000 ea
HW4500A03	GREASE FITTING, .125 NPT 1610(ALEMITE) 8	1.000 ea
HW4500A20	1/8NPT SL PIPE PLUG	1.000 ea
HA4051A00	PLASTIC CAP FOR GREASE FITTING	1.000 ea
MG1050Y01	CELEROL BALDOR GOLD *** NLA IN 5 GALLON	0.070 ga
MJ1000A02	GREASE, POLYREX EM EXXON	0.050 lb
HW4500A03	GREASE FITTING, .125 NPT 1610(ALEMITE) 8	1.000 ea
HW4500A20	1/8NPT SL PIPE PLUG	1.000 ea
HA4051A00	PLASTIC CAP FOR GREASE FITTING	1.000 ea
85XU0407S04	4X1/4 U DRIVE PIN STAINLESS	4.000 ea
40AD2002B01	LEXAN BAFFLE 40 FR OPEN	1.000 ea
40AD2002B01	LEXAN BAFFLE 40 FR OPEN	1.000 ea

HA3154A03	STUD, 3/8-16 X 17.75	4.000 ea
LB1624	COMBINED WARNING LABEL, ISO/ANSI PICTOGR	1.000 ea
LC0181	CONNECTION LABEL	1.000 ea
NP3554LUA	SS SUPER-E VPWM INV READY,CURUS-EEV,PREM	1.000 ea
40PA1000	PACKAGING GROUP	1.000 ea

Accessories

Part number	Description	Multiplier
40-1400	C FACE KIT	A8

AC Induction Motor Performance Data

Record # 32915

Typical performance - not guaranteed values

Winding: 40WGX194-R001		Type: 4046M	Enclosure: OPSB
Nameplate Data		460 V, 60 Hz: High Voltage Connection	
Rated Output (HP)	40	Full Load Torque	60.3 LB-FT
Volts	230/460	Start Configuration	direct on line
Full Load Amps	92/46	Breakdown Torque	207 LB-FT
R.P.M.	3530	Pull-up Torque	74.8 LB-FT
Hz	60 Phase	Locked-rotor Torque	103 LB-FT
NEMA Design Code	B KVA Code	Starting Current	282 A
Service Factor (S.F.)	1.15	No-load Current	11.7 A
NEMA Nom. Eff.	92.4 Power Factor	Line-line Res. @ 25°C	0.194 Ω
Rating - Duty	40C AMB-CONT	Temp. Rise @ Rated Load	35°C
S.F. Amps		Temp. Rise @ S.F. Load	44°C
		Locked-rotor Power Factor	23.9
		Rotor inertia	1.97 LB-FT ²

Load Characteristics 460 V, 60 Hz, 40 HP

% of Rated Load	25	50	75	100	125	150	S.F.
Power Factor	66	82	88	89	90	90	90
Efficiency	91.4	93.6	93.6	92.9	91.9	90.6	92.4
Speed	3581	3565	3547	3527	3505	3481	3514
Line amperes	16.4	24.9	34.7	45.9	57	69.7	52.6

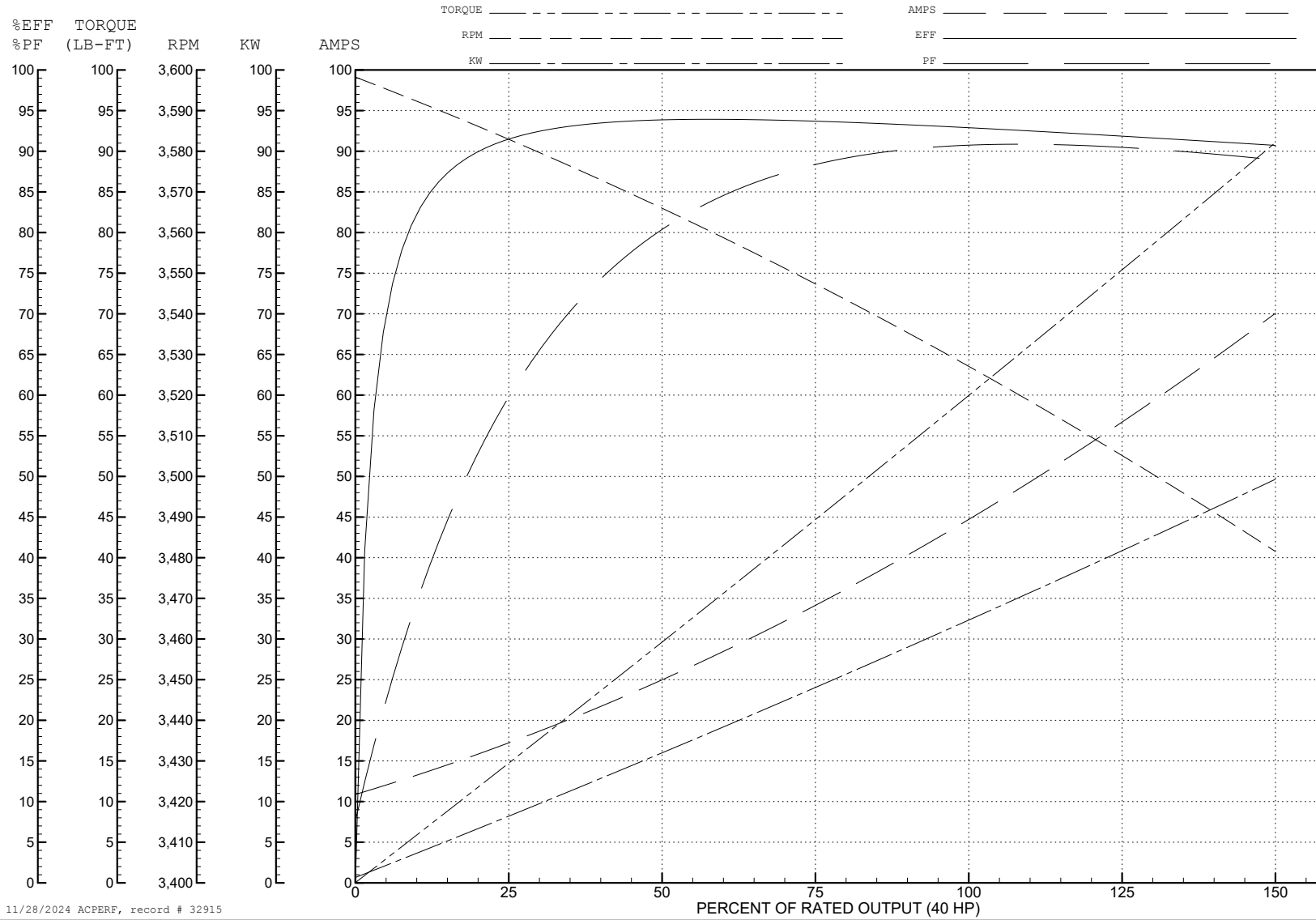
ABB Motors and Mechanical Inc.

WINDING # 40WG194

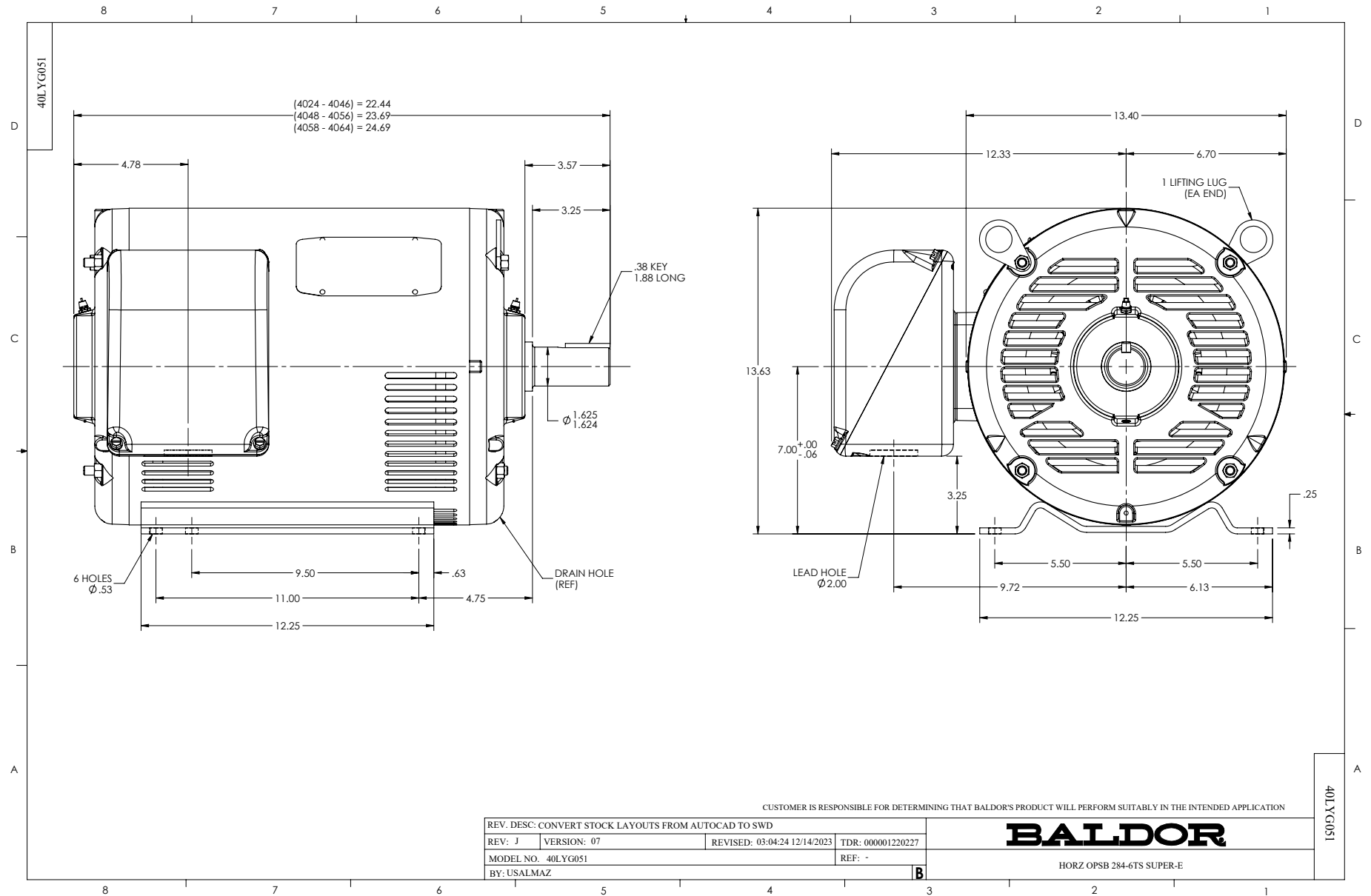
Typical performance - not guaranteed values.

40 HP 3 PH 60 HZ 3530 RPM 460 V 4046M

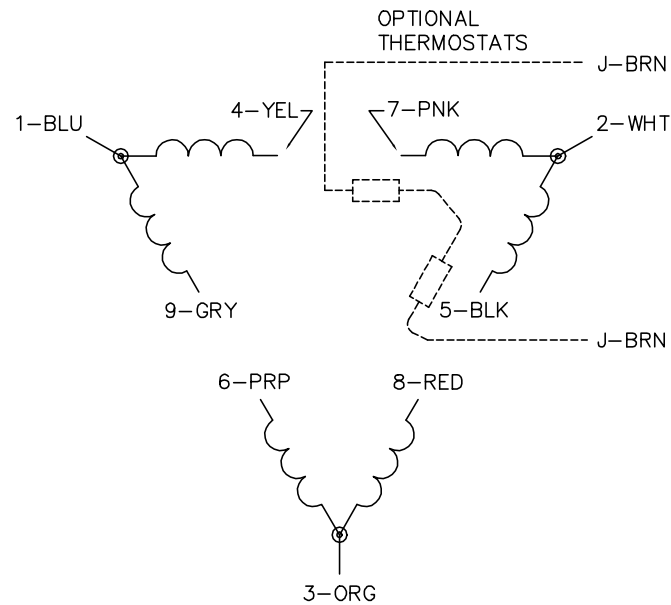
TORQUES (LB-FT): PO=207 PU=74.8 LR=103 LRA=282



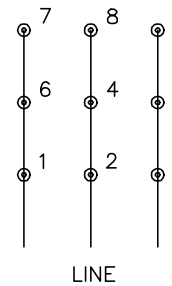
11/28/2024 ACPERF, record # 32915



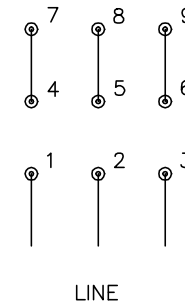
CD0180



LOW VOLTAGE
(2D)



HIGH VOLTAGE
(1D)



NOTES:

1. INTERCHANGE ANY TWO LINE LEADS TO REVERSE ROTATION.
2. OPTIONAL THERMOSTATS ARE PROVIDED WHEN SPECIFIED.
3. ACTUAL NUMBER OF INTERNAL PARALLEL CIRCUITS MAY BE A MULTIPLE OF THOSE SHOWN ABOVE.
4. LEAD COLORS ARE OPTIONAL. LEADS MUST ALWAYS BE NUMBERED AS SHOWN.

CD0180

REV. DESC: ADD CLASS CONN00000007		
REV. LTR: D	VERSION: 01	TDR: 000001099922
FILE: \AAA\00005\148	REVISED: 10: 25: 29 02/19/2019	BY: ENBRIRO
MTL: -	© □	

BALDOR - RELIANCE®

3PH, DV, 9 LEADS, DELTA CONNECTION

SH 1 of 1