

BALDOR • RELIANCE

Customer information packet

EM2548T

60HP, 1185RPM, 3PH, 60HZ, 404T, 4476M, OPSB, F1

Specifications

Enclosure	OPSB
Frame	404T
Frame Material	Steel
Frequency	60.00 Hz
Motor Letter Type	Three Phase
Output @ Frequency	60.000 HP @ 60 HZ
Phase	3
Synchronous Speed @ Frequency	1200 RPM @ 60 HZ
Voltage @ Frequency	460.0 V @ 60 HZ 230.0 V @ 60 HZ
Agency Approvals	CSA EEV NEMA PREMIUM NEMA_PREMIUM UR
Ambient Temperature	40 °C
Auxillary Box	No Auxillary Box
Auxillary Box Lead Termination	None
Base Indicator	Rigid
Bearing Grease Type	Polyrex EM (-20F +300F)
Blower	None
Current @ Voltage	76.000 A @ 460.0 V 160.000 A @ 208.0 V 152.000 A @ 230.0 V
Design Code	A
Drip Cover	No Drip Cover
Duty Rating	CONT
Efficiency @ 100% Load	94.5 %
Electrically Isolated Bearing	Not Electrically Isolated
Feedback Device	NO FEEDBACK
Front Face Code	Standard
Front Shaft Indicator	None
Heater Indicator	No Heater

Part detail

Revision	T
Type	AC
Mech. spec.	44E057
Base	
Status	PRD/A
Elec. spec.	44WGW300
Layout	44LYE057
Eff. date	10-31-2024
CD Diagram	CD0180
Poles	06
Leads	9#6
Proprietary	False
Created date	05-07-2010

High Voltage Full Load Amps	76.0 a
Insulation Class	F
Inverter Code	Inverter Ready
KVA Code	H
Lifting Lugs	Standard Lifting Lugs
Locked Bearing Indicator	Locked Bearing
Motor Lead Exit	Ko Box
Motor Lead Quantity/Wire Size	9 @ 6 AWG
Motor Lead Termination	Flying Leads
Motor Standards	NEMA
Motor Type	4480M
Mounting Arrangement	F1
Number of Poles	6
Overall Length	34.47 IN
Power Factor	79
Product Family	General Purpose
Pulley End Bearing Type	Ball
Pulley Face Code	Standard
Pulley Shaft Indicator	Standard
Rodent Screen	None
Service Factor	1.15
Shaft Diameter	2.875 IN
Shaft Extension Location	Pulley End
Shaft Ground Indicator	No Shaft Grounding
Shaft Rotation	Reversible
Shaft Slinger Indicator	No Slinger
Speed	1185 rpm
Speed Code	Single Speed
Starting Method	Direct on line
Thermal Device - Bearing	None
Thermal Device - Winding	None
Vibration Sensor Indicator	No Vibration Sensor
Winding Thermal 1	None
Winding Thermal 2	None

Nameplate

NP2138LUA

CAT.NO.	EM2548T	P/N		ENCLOSURE	OPSB
SPEC.	44E057W300G1	CC	010A	FRAME	404T
HP	60	CLASS	F	HZ	60
RPM	1185	PH	3	DES	A
VOLT	230/460	KVA-CODE	H	ODE BRG	6312
AMP	152/76	DE BRG			6316
RATING	40C AMB-CONT	GREASE	POLYREX EM		
NEMA-NOM-EFF	94.5	PF	79	SER.F.	1.15
HTR-VOLTS	50Hz 60Hp 190/380V 178/89A			SF	1.0
HTR-AMPS					

Parts list

Part number	Description	Quantity
SA194477	SA 44E057W300G1	1.000 ea
RA182064	RA 44E057W300G1	1.000 ea
HA6731	LIFTING LUG FOR 44 FRAME MOTORS.	2.000 ea
HA6648A01	CAST ADAPTER, 44 FRAME - NEMA 404-5 - MA	1.000 ea
19XW3816A12	.38-16 X .75 HEX WASHER HEAD TAPTITE II	2.000 ea
HW1001A38	LOCKWASHER 3/8, ZINC PLT .688 OD, .382 I	2.000 ea
18CB1006A04	CB 318 3.62 LD HOLE, .38 MTG HOLE & 3.88	1.000 ea
19XW3118A16	.31-18 HEX WASHER HEAD TAPTITE II 1.00 L	4.000 ea
HW1001A31	LOCKWASHER 5/16, ZINC PLT.591 OD, .319 I	4.000 ea
WD1000B25	GND LUG, BURNDY L125HP OR T&B L125HP-BB	1.000 ea
10XN3118K08	5/16-18 X .50 GRADE #5, STL, ZINC PLATE	1.000 ea
HW1001A31	LOCKWASHER 5/16, ZINC PLT.591 OD, .319 I	1.000 ea
44EP1203A02	FREP, MACH	1.000 ea
HW5100A15	W4997-050 WVY WSHR (WB)	1.000 ea
10XN3816K48	3/8-16 X 3 HEX HD CAP SCREW,Z/P	4.000 ea
HW1001A38	LOCKWASHER 3/8, ZINC PLT .688 OD, .382 I	4.000 ea
44EP1202A01	PU ENDPLATE, MACH.	1.000 ea
XY5013A12	NUT,1/2-13,HEX,STEEL,ZINCPLATED	8.000 ea
18CB1506A01	CB LID 318 FOR 18CB1006	1.000 ea
10XN3118K16	5/16-18 X 1' GRADE #5, STL, ZINC PLATE	4.000 ea
HW1001A31	LOCKWASHER 5/16, ZINC PLT.591 OD, .319 I	4.000 ea
HW2501K66	KEY, 3/4 SQ X 5.625	1.000 ea
HA4051A00	PLASTIC CAP FOR GREASE FITTING	1.000 ea
HW4500A03	GREASE FITTING, .125 NPT 1610(ALEMITE) 8	1.000 ea
HW4500A20	1/8NPT SL PIPE PLUG	1.000 ea
MJ1000A02	GREASE, POLYREX EM EXXON	0.030 lb
HA4051A00	PLASTIC CAP FOR GREASE FITTING	1.000 ea
HW4500A03	GREASE FITTING, .125 NPT 1610(ALEMITE) 8	1.000 ea
HW4500A20	1/8NPT SL PIPE PLUG	1.000 ea
MG1050Y01	CELEROL BALDOR GOLD *** NLA IN 5 GALLON	0.080 ga
85XU0407S04	4X1/4 U DRIVE PIN STAINLESS	4.000 ea

44AD2003B01	BAFFLE PLATE 44 OPSB, "X" = .030. "Y" =	1.000 ea
HA3175A03	THRUBOLT STUD 1/2-13 X 24.250 - GRADE 2	4.000 ea
LB1624	COMBINED WARNING LABEL, ISO/ANSI PICTOGR	1.000 ea
44AD2003B01	BAFFLE PLATE 44 OPSB, "X" = .030. "Y" =	1.000 ea
LC0181	CONNECTION LABEL	1.000 ea
NP2138LUA	ALUM SUPER-E UL PREM CC (300SER)	1.000 ea
44PA2000	PKGP, CTN ID 42X34X25, STD BASE	1.000 ea
MN416A01	TAG-INSTAL-MAINT no wire (2500bx)4/22	1.000 ea

AC Induction Motor Performance Data

Record # 32127

Typical performance - not guaranteed values

Winding: 44WGW300-R001		Type: 4480M	Enclosure: OPSB	
Nameplate Data			460 V, 60 Hz: High Voltage Connection	
Rated Output (HP)	60		Full Load Torque	266 LB-FT
Volts	230/460		Start Configuration	direct on line
Full Load Amps	152/76		Breakdown Torque	843 LB-FT
R.P.M.	1185		Pull-up Torque	384 LB-FT
Hz	60 Phase	3	Locked-rotor Torque	526 LB-FT
NEMA Design Code	A	KVA Code H	Starting Current	520 A
Service Factor (S.F.)	1.15		No-load Current	33.2 A
NEMA Nom. Eff.	94.5	Power Factor 79	Line-line Res. @ 25°C	0.084913 Ω
Rating - Duty	40C AMB-CONT		Temp. Rise @ Rated Load	42°C
S.F. Amps			Temp. Rise @ S.F. Load	50°C
			Locked-rotor Power Factor	29
			Rotor inertia	22.8 LB-FT ²

Load Characteristics 460 V, 60 Hz, 60 HP

% of Rated Load	25	50	75	100	125	150	S.F.
Power Factor	42	63	74	79	81	82	80
Efficiency	91.5	94.3	94.8	94.6	94.2	93.4	94.4
Speed	1195.3	1192.1	1188.9	1184.8	1180.9	1176	1182
Line amperes	37.6	47.6	60.7	75.5	92.2	110	85.5

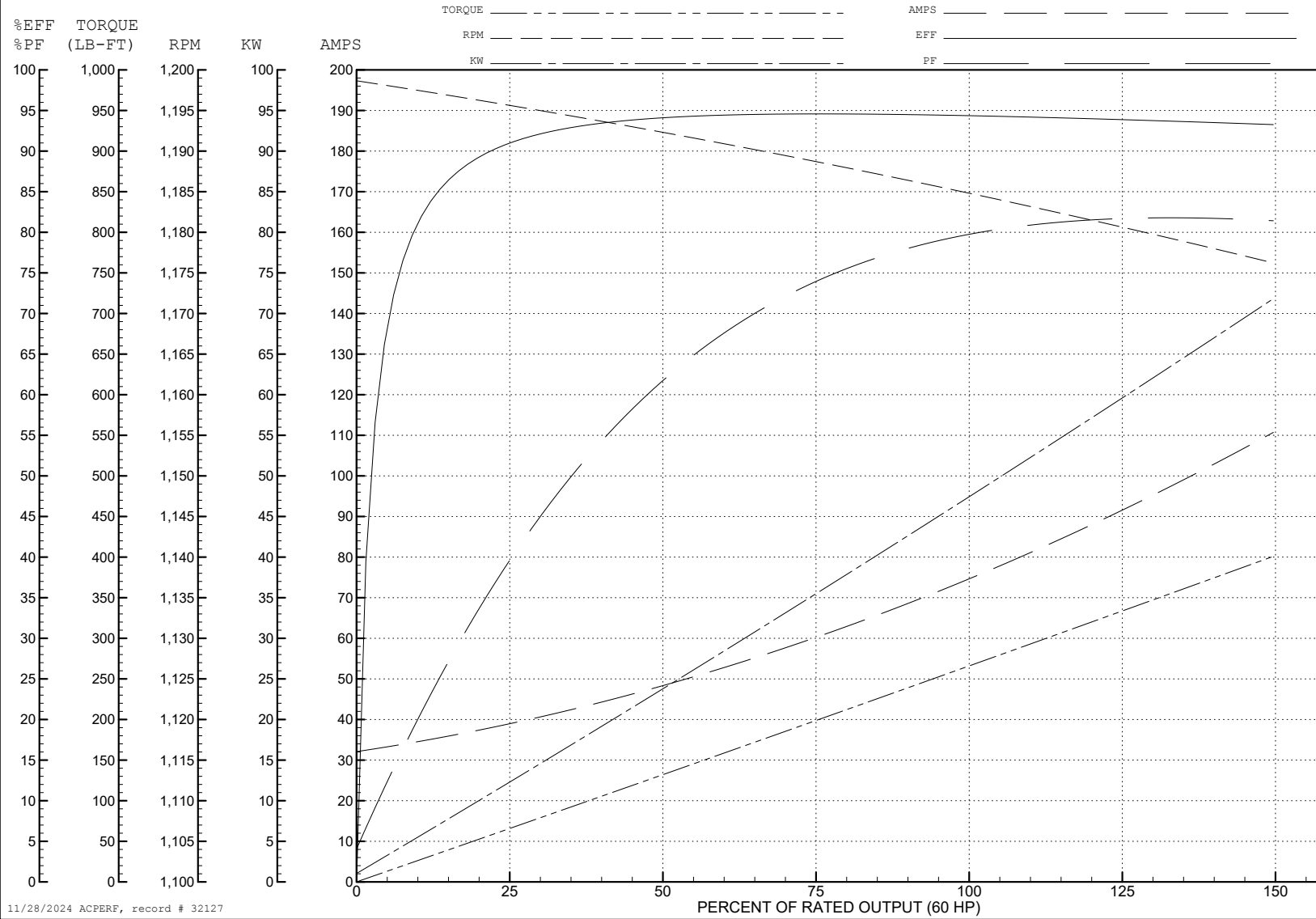
ABB Motors and Mechanical Inc.

WINDING # 44WGW300

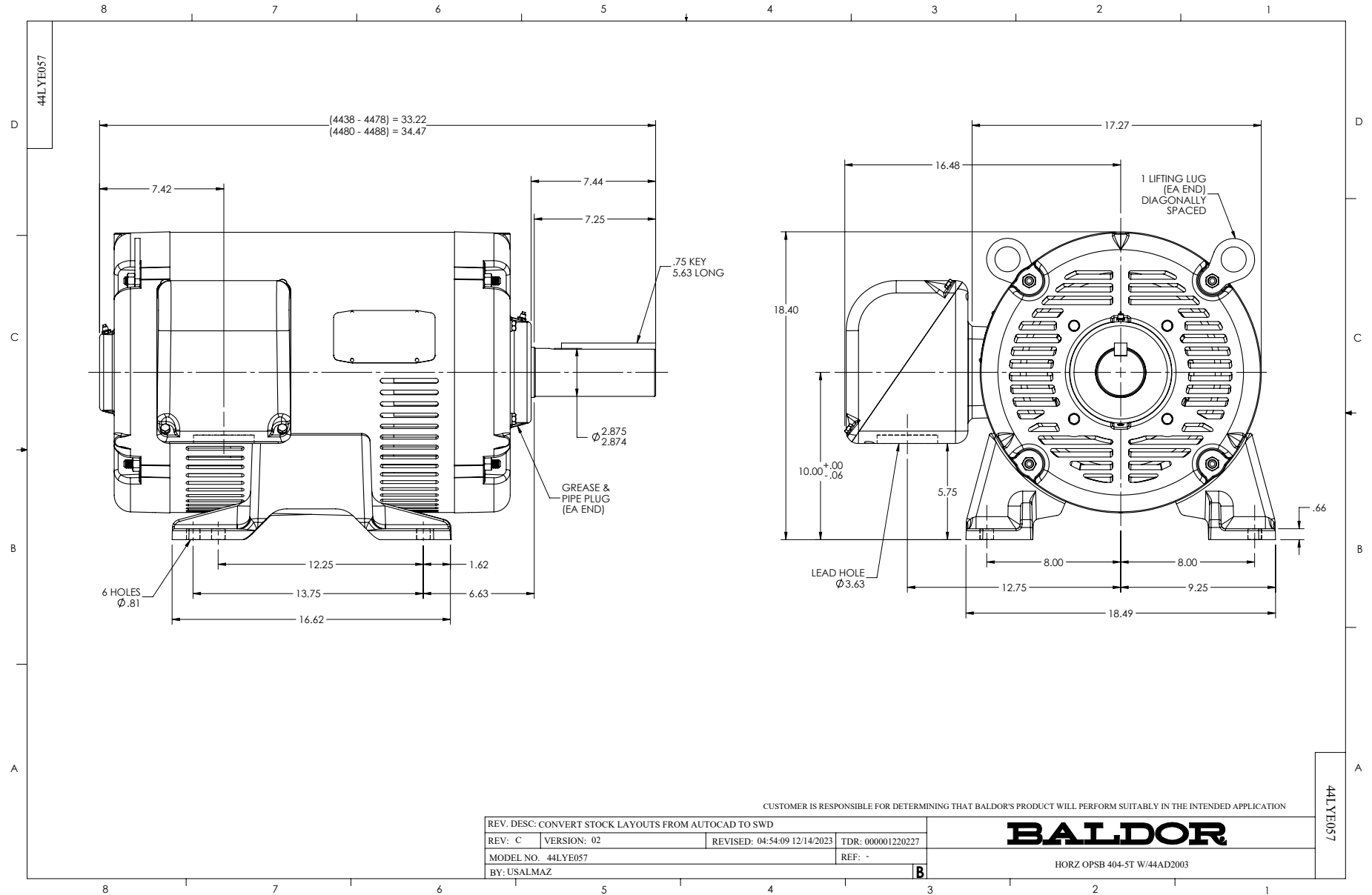
Typical performance - not guaranteed values.

60 HP 3 PH 60 HZ 1185 RPM 460 V 4480M

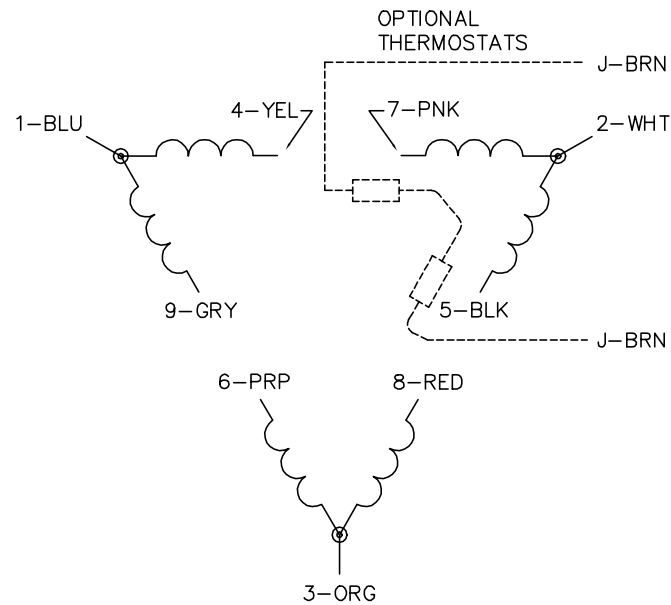
TORQUES (LB-FT): PO=843 PU=384 LR=526 LRA=520



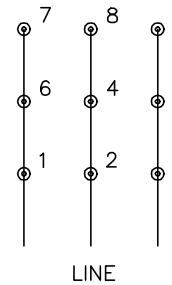
11/28/2024 ACPERF, record # 32127



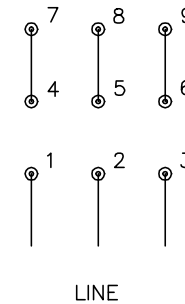
CD0180



LOW VOLTAGE
(2D)



HIGH VOLTAGE
(1D)



NOTES:

1. INTERCHANGE ANY TWO LINE LEADS TO REVERSE ROTATION.
2. OPTIONAL THERMOSTATS ARE PROVIDED WHEN SPECIFIED.
3. ACTUAL NUMBER OF INTERNAL PARALLEL CIRCUITS MAY BE A MULTIPLE OF THOSE SHOWN ABOVE.
4. LEAD COLORS ARE OPTIONAL. LEADS MUST ALWAYS BE NUMBERED AS SHOWN.

CD0180

REV. DESC: ADD CLASS CONN00000007		
REV. LTR: D	VERSION: 01	TDR: 000001099922
FILE: \AAA\00005\148	REVISED: 10:25:29 02/19/2019	BY: ENBRIRO
MTL: -	© □	

BALDOR - RELIANCE®

3PH, DV, 9 LEADS, DELTA CONNECTION

SH 1 of 1