

**BALDOR® • RELIANCE™**

---

# Customer information packet

## EM2555T-5

100HP, 1780RPM, 3PH, 60HZ, 404T, 4484M, OPSB, F

## Specifications

Enclosure	OPSB
Frame	404T
Frame Material	Steel
Frequency	60.00 Hz
Motor Letter Type	Three Phase
Output @ Frequency	100.000 HP @ 60 HZ
Phase	3
Synchronous Speed @ Frequency	1800 RPM @ 60 HZ
Voltage @ Frequency	575.0 V @ 60 HZ
Agency Approvals	CSA EEV UR NEMA_PREMIUM NEMA PREMIUM
Ambient Temperature	40 °C
Auxillary Box	No Auxillary Box
Auxillary Box Lead Termination	None
Base Indicator	Rigid
Bearing Grease Type	Polyrex EM (-20F +300F)
Blower	None
Current @ Voltage	93.000 A @ 575.0 V
Design Code	A
Drip Cover	No Drip Cover
Duty Rating	CONT
Efficiency @ 100% Load	95.4 %
Electrically Isolated Bearing	Not Electrically Isolated
Feedback Device	NO FEEDBACK
Front Face Code	Standard
Front Shaft Indicator	None
Heater Indicator	No Heater
High Voltage Full Load Amps	93.0 a
Insulation Class	F
Inverter Code	Not Inverter

## Part detail

Revision	S
Type	AC
Mech. spec.	44E012
Base	
Status	PRD/A
Elec. spec.	44WGW315
Layout	44LYE012
Eff. date	11-19-2024
CD Diagram	CD0006
Poles	04
Leads	3#4
Proprietary	False
Created date	08-06-2010

<b>KVA Code</b>	H
<b>Lifting Lugs</b>	Standard Lifting Lugs
<b>Locked Bearing Indicator</b>	Locked Bearing
<b>Motor Lead Exit</b>	Ko Box
<b>Motor Lead Quantity/Wire Size</b>	3 @ 4 AWG
<b>Motor Lead Termination</b>	Flying Leads
<b>Motor Standards</b>	NEMA
<b>Motor Type</b>	4484M
<b>Mounting Arrangement</b>	F1
<b>Number of Poles</b>	4
<b>Overall Length</b>	36.97 IN
<b>Power Factor</b>	83
<b>Product Family</b>	General Purpose
<b>Pulley End Bearing Type</b>	Ball
<b>Pulley Face Code</b>	Standard
<b>Pulley Shaft Indicator</b>	Standard
<b>Rodent Screen</b>	None
<b>Service Factor</b>	1.15
<b>Shaft Diameter</b>	2.875 IN
<b>Shaft Extension Location</b>	Pulley End
<b>Shaft Ground Indicator</b>	No Shaft Grounding
<b>Shaft Rotation</b>	Reversible
<b>Shaft Slinger Indicator</b>	No Slinger
<b>Speed</b>	1780 rpm
<b>Speed Code</b>	Single Speed
<b>Starting Method</b>	Direct on line
<b>Thermal Device - Bearing</b>	None
<b>Thermal Device - Winding</b>	None
<b>Vibration Sensor Indicator</b>	No Vibration Sensor
<b>Winding Thermal 1</b>	None
<b>Winding Thermal 2</b>	None

**Nameplate**

**NP2138L**

<b>CAT.NO.</b>	EM2555T-5	<b>P/N</b>		<b>ENCLOSURE</b>	OPSB		
<b>SPEC.</b>	44E012W315G1	<b>CC</b>	010A	<b>FRAME</b>	404T	<b>S/N</b>	
<b>HP</b>	100	<b>CLASS</b>	F	<b>HZ</b>	60		
<b>RPM</b>	1780	<b>PH</b>	3	<b>DES</b>	A		
<b>VOLT</b>	575	<b>KVA-CODE</b>	H	<b>ODE BRG</b>	6312	<b>DE BRG</b>	6316
<b>AMP</b>	93						
<b>RATING</b>	40C AMB-CONT	<b>GREASE</b>	POLYREX EM				
<b>NEMA-NOM-EFF</b>	95.4	<b>PF</b>	83	<b>SER.F.</b>	1.15		
<b>HTR-VOLTS</b>		<b>HTR-AMPS</b>					

## Parts list

Part number	Description	Quantity
SA201363	SA 44E012W315G1	1.000 ea
RA188662	RA 44E012W315G1	1.000 ea
HA6731	LIFTING LUG FOR 44 FRAME MOTORS.	2.000 ea
HA6648A01	CAST ADAPTER, 44 FRAME - NEMA 404-5 - MA	1.000 ea
19XW3816A12	.38-16 X .75 HEX WASHER HEAD TAPTITE II	2.000 ea
HW1001A38	LOCKWASHER 3/8, ZINC PLT .688 OD, .382 I	2.000 ea
18CB1006A04	CB 318 3.62 LD HOLE, .38 MTG HOLE & 3.88	1.000 ea
19XW3118A16	.31-18 HEX WASHER HEAD TAPTITE II 1.00 L	4.000 ea
HW1001A31	LOCKWASHER 5/16, ZINC PLT.591 OD, .319 I	4.000 ea
WD1000B25	GND LUG, BURNDY L125HP OR T&B L125HP-BB	1.000 ea
10XN3118K08	5/16-18 X .50 GRADE #5, STL, ZINC PLATE	1.000 ea
HW1001A31	LOCKWASHER 5/16, ZINC PLT.591 OD, .319 I	1.000 ea
44EP1203A02	FREP, MACH	1.000 ea
HA4051A00	PLASTIC CAP FOR GREASE FITTING	1.000 ea
MG1050Y01	CELEROL BALDOR GOLD *** NLA IN 5 GALLON	0.080 ga
HW5100A15	W4997-050 WVY WSHR (WB)	1.000 ea
10XN3816K48	3/8-16 X 3 HEX HD CAP SCREW,Z/P	4.000 ea
HW1001A38	LOCKWASHER 3/8, ZINC PLT .688 OD, .382 I	4.000 ea
44EP1202A01	PU ENDPLATE, MACH.	1.000 ea
HA4051A00	PLASTIC CAP FOR GREASE FITTING	1.000 ea
XY5013A12	NUT,1/2-13,HEX,STEEL,ZINCPLATED	8.000 ea
18CB1506A01	CB LID 318 FOR 18CB1006	1.000 ea
10XN3118K16	5/16-18 X 1' GRADE #5, STL, ZINC PLATE	4.000 ea
HW1001A31	LOCKWASHER 5/16, ZINC PLT.591 OD, .319 I	4.000 ea
HW2501K66	KEY, 3/4 SQ X 5.625	1.000 ea
MN416A01	TAG-INSTAL-MAINT no wire (2500bx)4/22	1.000 ea
HW4500A03	GREASE FITTING, .125 NPT 1610(ALEMITE) 8	1.000 ea
HW4500A20	1/8NPT SL PIPE PLUG	1.000 ea
HA4051A00	PLASTIC CAP FOR GREASE FITTING	1.000 ea
MJ1000A02	GREASE, POLYREX EM EXXON	0.030 lb
HW4500A03	GREASE FITTING, .125 NPT 1610(ALEMITE) 8	1.000 ea

HW4500A20	1/8NPT SL PIPE PLUG	1.000 ea
HA4051A00	PLASTIC CAP FOR GREASE FITTING	1.000 ea
85XU0407S04	4X1/4 U DRIVE PIN STAINLESS	4.000 ea
44AD2001A01	BAFFLE 44 OPEN,"X"=1.00, SLOTTED BAND MT	1.000 ea
44AD2001A01	BAFFLE 44 OPEN,"X"=1.00, SLOTTED BAND MT	1.000 ea
HA3175A04	THRUBOLT STUD 1/2-13 X 26.000 - GRADE 2	4.000 ea
LB1624	COMBINED WARNING LABEL, ISO/ANSI PICTOGR	1.000 ea
LC0006	CONNECTION LABEL	1.000 ea
NP2138L	ALUM SUPER-E UL PREM CC (300	1.000 ea
44PA2000	PKGP, CTN ID 42X34X25, STD BASE	1.000 ea

**AC Induction Motor Performance Data**

Record # 32035

Typical performance - not guaranteed values

<b>Winding: 44WGW315-R001</b>		<b>Type: 4484M</b>		<b>Enclosure: OPSB</b>	
<b>Nameplate Data</b>			<b>575 V, 60 Hz: Single Voltage Motor</b>		
<b>Rated Output (HP)</b>	100	<b>Full Load Torque</b>	295 LB-FT		
<b>Volts</b>	575	<b>Start Configuration</b>	direct on line		
<b>Full Load Amps</b>	93	<b>Breakdown Torque</b>	839 LB-FT		
<b>R.P.M.</b>	1780	<b>Pull-up Torque</b>	355 LB-FT		
<b>Hz</b>	60 <b>Phase</b>	3	<b>Locked-rotor Torque</b>	471 LB-FT	
<b>NEMA Design Code</b>	A <b>KVA Code</b>	H	<b>Starting Current</b>	646 A	
<b>Service Factor (S.F.)</b>	1.15	<b>No-load Current</b>	33.5 A		
<b>NEMA Nom. Eff.</b>	95.4 <b>Power Factor</b>	83	<b>Line-line Res. @ 25°C</b>	0.0697 Ω	
<b>Rating - Duty</b>	40C AMB-CONT		<b>Temp. Rise @ Rated Load</b>	47°C	
<b>S.F. Amps</b>			<b>Temp. Rise @ S.F. Load</b>	57°C	
			<b>Locked-rotor Power Factor</b>	25	
			<b>Rotor inertia</b>	15.9 LB-FT <sup>2</sup>	

**Load Characteristics 575 V, 60 Hz, 100 HP**

<b>% of Rated Load</b>	<b>25</b>	<b>50</b>	<b>75</b>	<b>100</b>	<b>125</b>	<b>150</b>	<b>S.F.</b>
<b>Power Factor</b>	50	73	81	85	86	87	86
<b>Efficiency</b>	92.6	95.4	95.6	95.5	95.1	94.4	95.3
<b>Speed</b>	1794	1790	1785	1780	1775	1769	1777
<b>Line amperes</b>	40.1	53.9	72.1	92.7	115	137	106

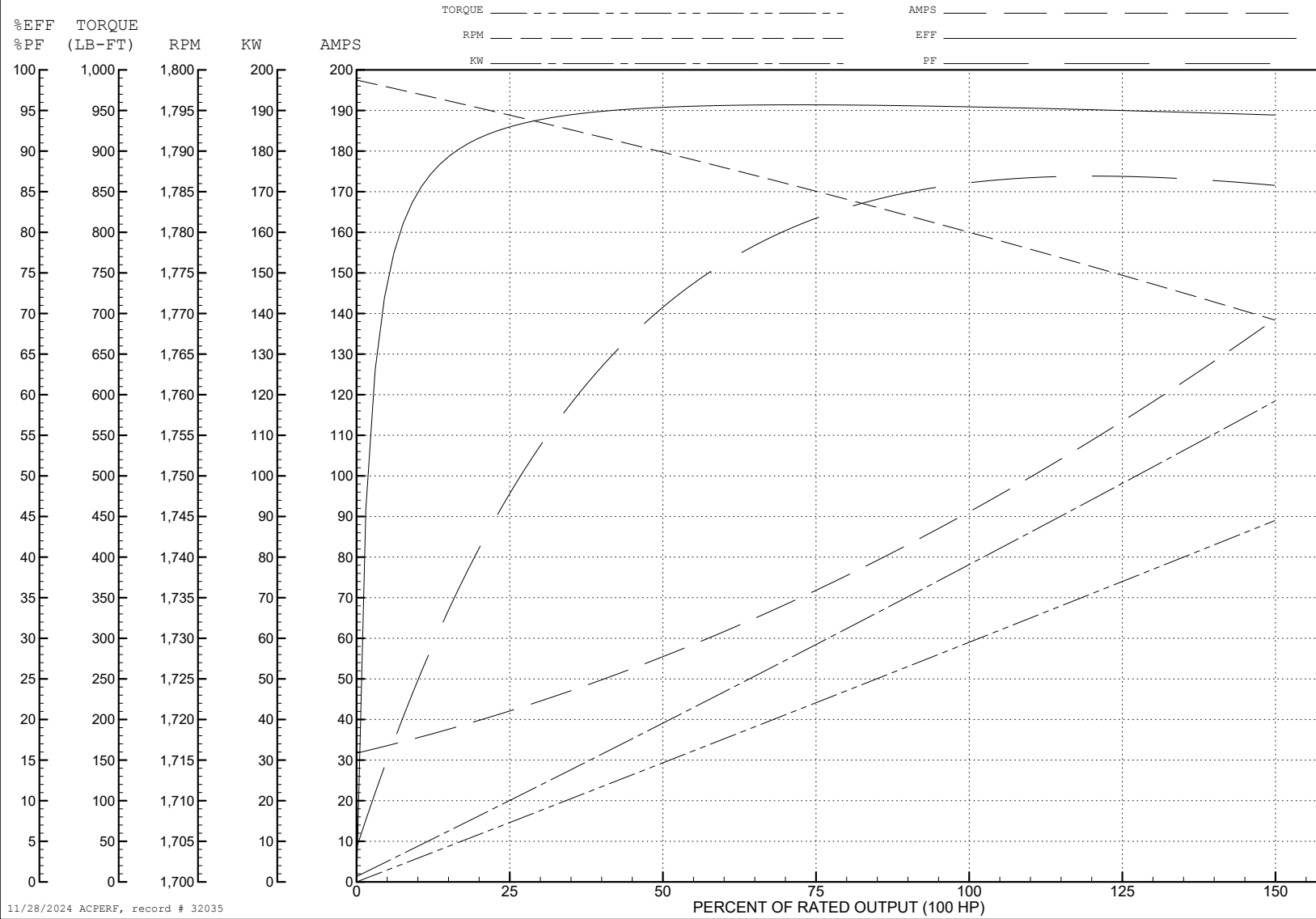
ABB Motors and Mechanical Inc.

WINDING # 44WG315

Typical performance - not guaranteed values.

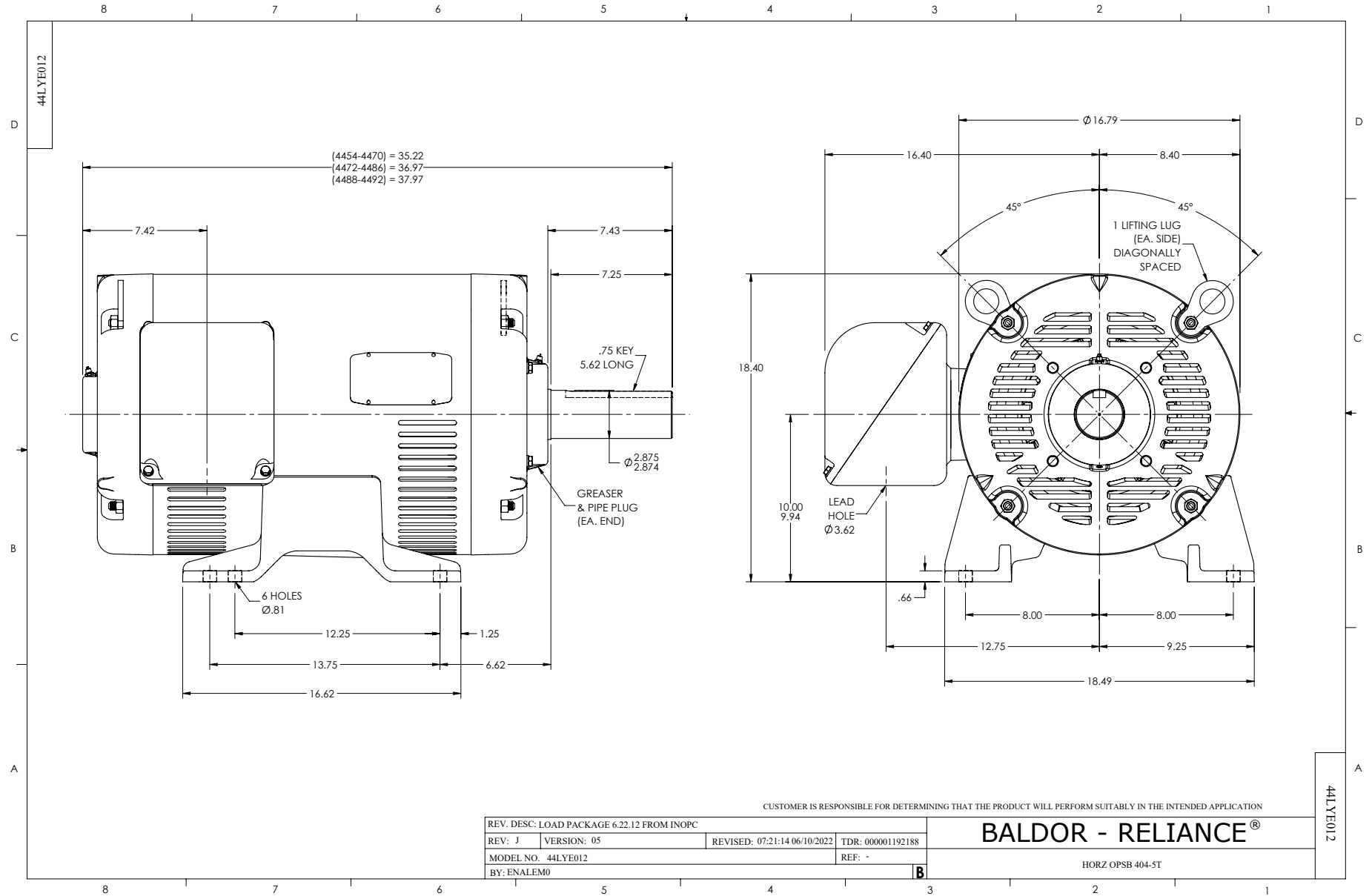
100 HP 3 PH 60 HZ 1780 RPM 575 V 4484M

TORQUES (LB-FT): PO=839 PU=355 LR=471 LRA=646

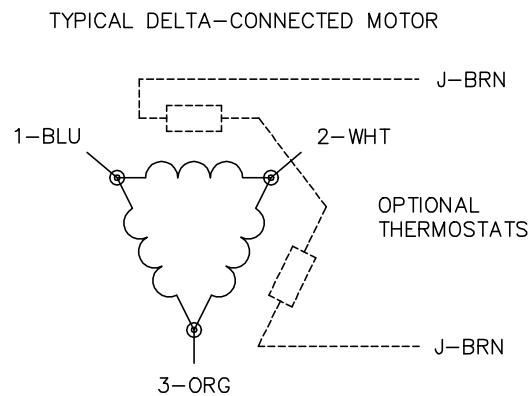
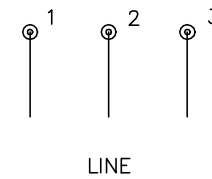
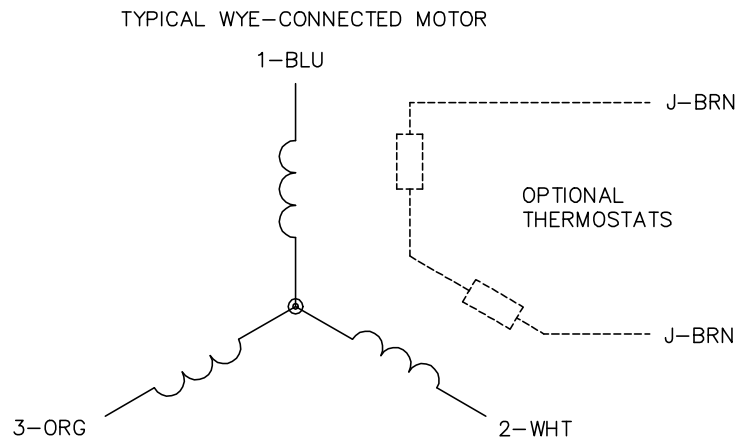


11/28/2024 ACPERF, record # 32035





CD0006



NOTES:

1. THREE LEAD MOTOR MAY BE EITHER WYE CONNECTED OR DELTA CONNECTED.
2. INTERCHANGE ANY TWO LINE LEADS TO REVERSE ROTATION.
3. OPTIONAL THERMOSTATS ARE PROVIDED WHEN SPECIFIED.
4. ACTUAL NUMBER OF INTERNAL PARALLEL CIRCUITS MAY VARY.
5. LEAD COLORS ARE OPTIONAL. LEADS MUST BE NUMBERED AS SHOWN.

CD0006

REV. DESC: ADD CLASS CONN00000007		
REV. LTR: E	VERSION: 01	TDR: 000001099922
FILE: \AAA\00005\141	REVISED: 10:24:49 02/19/2019	BY: ENBRIRO
MTL: -	© □	

**BALDOR - RELIANCE®**

3PH, SV, 3 LEADS, WYE OR DELTA CONNECTED

SH 1 of 1