



Customer information packet

EM2555T-CI

100HP, 1785RPM, 3PH, 60HZ, 404T, ODP, FOOT,
Class - None
Division - Not Applicable

Specifications

Enclosure	DP
Frame	404T
Frame Material	Iron
Frequency	60.00 Hz
Haz Area Class and Group	None
Haz Area Division	Not Applicable
Motor Letter Type	Three Phase
Output @ Frequency	100.000 HP @ 60 HZ
Phase	3
Synchronous Speed @ Frequency	1800 RPM @ 60 HZ
Voltage @ Frequency	230.0 V @ 60 HZ 460.0 V @ 60 HZ
Agency Approvals	CCSA US CCSAUSEEV CSA EEV
Ambient Temperature	40 °C
Auxillary Box	No Auxillary Box
Base Indicator	Rigid
Bearing Grease Type	Polyrex EM (-20F +300F)
Current @ Voltage	115.000 A @ 460.0 V 230.000 A @ 230.0 V
Design Code	B
Drip Cover	No Drip Cover
Duty Rating	CONT
Efficiency @ 100% Load	95.4 %
Feedback Device	NO FEEDBACK
Heater Indicator	No Heater
High Voltage Full Load Amps	115.0 a
Insulation Class	F
Inverter Code	Inverter Ready
KVA Code	G
Lifting Lugs	Standard Lifting Lugs

Part detail

Revision	Q
Type	AC
Mech. spec.	
Base	
Status	PRD/A
Elec. spec.	A40WG0707
Layout	617428-119
Eff. date	09-04-2024
CD Diagram	416820-002
Poles	04
Leads	3#2,6#4
Proprietary	False
Created date	02-03-2011

Motor Lead Quantity/Wire Size	3 @ 2 AWG
Motor Standards	NEMA
Motor Type	A40052M
Mounting Arrangement	F1
Number of Poles	4
Overall Length	34.00 IN
Power Factor	85
Pulley End Bearing Type	Ball
Pulley Face Code	Standard
Service Factor	1.15
Shaft Diameter	2.875 IN
Shaft Ground Indicator	No Shaft Grounding
Shaft Rotation	Reversible
Shaft Slinger Indicator	No Slinger
Speed	1785 rpm
Speed Code	Single Speed
Starting Method	Direct on line
Thermal Device - Bearing	None
Thermal Device - Winding	None

Nameplate

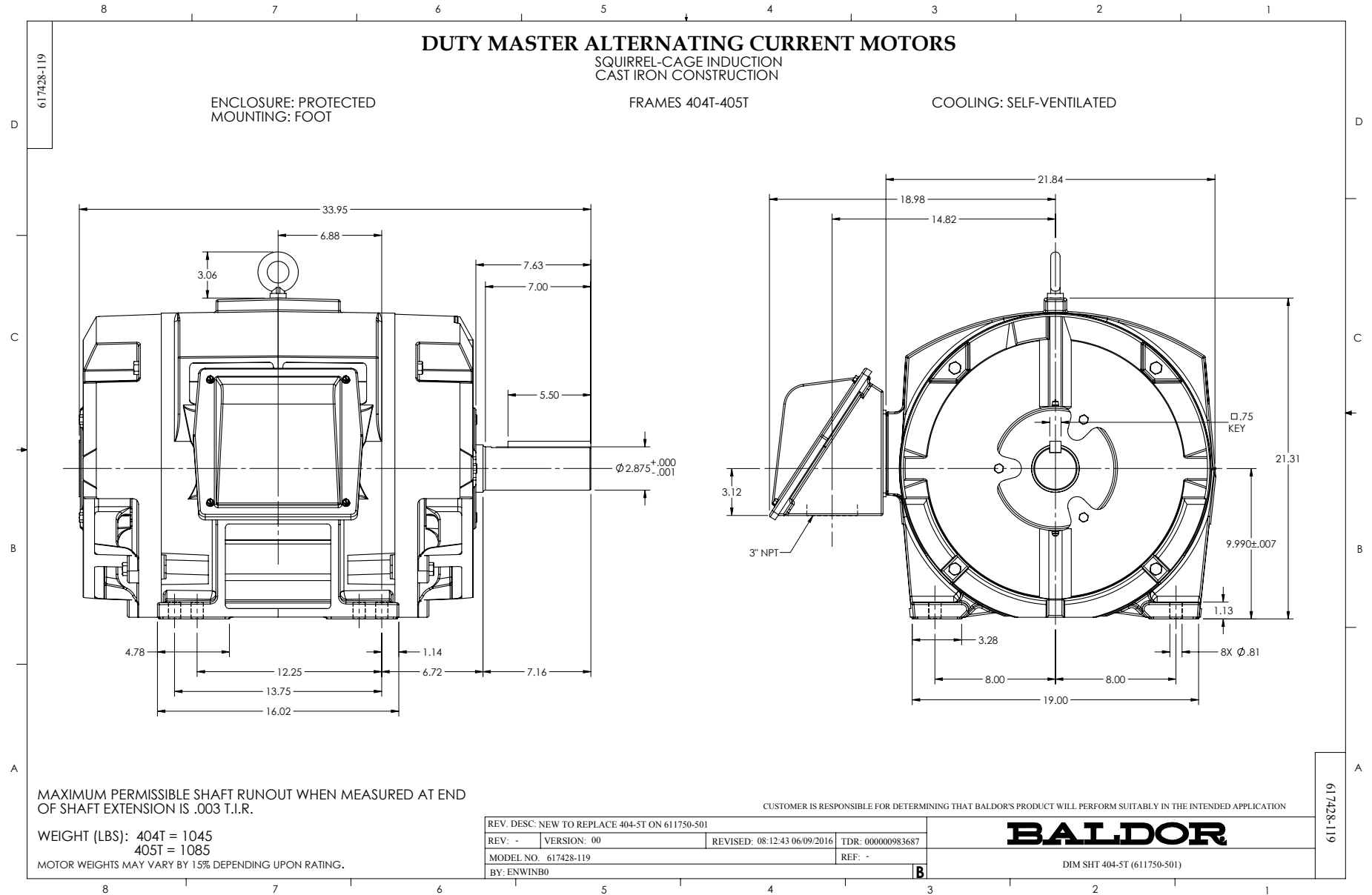
NP2349L

SPEC NO.	P40G297	CAT.NO.	EM2555T-CI	FRAME	404T
HP	100	VOLTS	230/460	PHASE	3
RPM	1785	AMPS	230/115	HZ	60
DRIVE END BEARING	80BC03J30X	DUTY	CONT	INSUL.CLASS	F
OPP D.E. BEARING	80BC03J30X	ENCL	DP	CODE	G
SER.NO.		POWER FACTOR	85	NEMA-NOM-EFFICIENCY	95.4
				MAX CORR KVAR	20.0
				GUARANTEED EFFICIENCY	95.0
				NEMA NOM/CSA QUOTED EFF	
				MOTOR WEIGHT	

Parts list

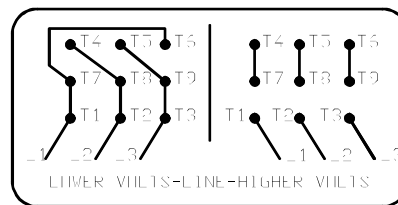
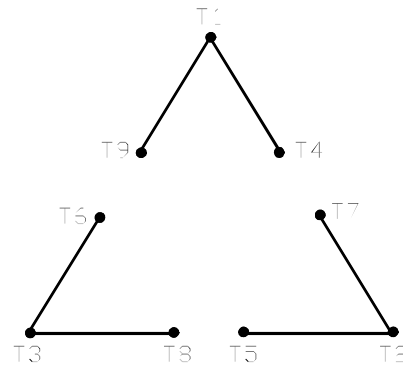
Part number	Description	Quantity
SA216611	SA P40G297	1.000 ea
RA203796	RA P40G297	1.000 ea
000613006PU	N/P (RELEASE QTY 10,000) UL CSA LABEL	1.000 ea
000692000VD	LABEL WARNING	1.000 ea
NP2349L	SUPER-E ,SS, CURUS EEV, CC, LASER	1.000 ea
421948032	LABEL, MYLAR	1.000 ea
004824015A	GREASE POLYREX EM	1.000 lb
032018010AK	HHCS 1/4-20X1-1/4L PLTD.	4.000 ea
032018020DK	HHCS 1/2-13X2-1/2 PLTD. 963746	2.000 ea
032018026DK	HHCS 1/2-13X3-1/4L PLTD.	2.000 ea
032018030CK	HHCS 3/8-16X3-3/4 PLATED	3.000 ea
034000012AB	WSHR 1/4 STD. PLATED	4.000 ea
034017012AB	LCKW 1/4 STD. PLATED 034017012AF	4.000 ea
034600001AA	BUSH 1/4TO1/8 BLACK	1.000 ea
035000001G	GREASE RELIEF FITTING, ALEMITE 317400	1.000 ea
089407052A	BRKT 400 089407052WCB	1.000 ea
089407052A	BRKT 400 089407052WCB	1.000 ea
405851012AD	SPACE	4.000 ea
410700000DA	WAVY SPRING WASHER	1.000 ea
702609001A	BAFFL 400 SUB PAINT	1.000 ea
032018010AK	HHCS 1/4-20X1-1/4L PLTD.	4.000 ea
032018020DK	HHCS 1/2-13X2-1/2 PLTD. 963746	2.000 ea
032018026DK	HHCS 1/2-13X3-1/4L PLTD.	2.000 ea
032018030CK	HHCS 3/8-16X3-3/4 PLATED	3.000 ea
034000012AB	WSHR 1/4 STD. PLATED	4.000 ea
034017012AB	LCKW 1/4 STD. PLATED 034017012AF	4.000 ea
034600001AA	BUSH 1/4TO1/8 BLACK	1.000 ea
035000001G	GREASE RELIEF FITTING, ALEMITE 317400	1.000 ea
405851012AD	SPACE	4.000 ea
702609001A	BAFFL 400 SUB PAINT	1.000 ea
032018010CK	HHCS 3/8-16X1-1/4 PLTD. 032018010CR	4.000 ea

033512008LB	HHTTS 1/4-20X1 PLATED	4.000 ea
035000001A	ALFTG 1/8" 1610-BL	1.000 ea
048897010DH	BUSH - 400	1.000 ea
035000001A	ALFTG 1/8" 1610-BL	1.000 ea
067053000B	GASK 320-400	1.000 ea
076708000BB	CONDUIT BOX-360	1.000 ea
076709000A	C/B Cover - 360	1.000 ea
065776000C	GASKET,MAIN CBOX, 320-400	1.000 ea
415000115H	T/LUG #2AWG-4/0AWG	1.000 ea
418150003A	GREASE FITTING CAP	1.000 ea
033775004EA	DRSCR #6-1/4 304 S.S.	2.000 ea
418150003A	GREASE FITTING CAP	1.000 ea
034180044JA	KEY 3/4X3/4X5-1/2 L	1.000 ea
MG1025N19	WILKO 778.50 BLUE GREEN - 55 GAL DRUMS	0.250 ga
004824003CBY	WILKO PAINT 060.02 - ACTIVATOR	0.031 ga
N424003609DBA	LEAD SET 2-1/4-1 AWG 6-DB 400 FR 60 IN	1.000 ea
604797045	STD. 400 FRAME SKID	1.000 ea
032018005DL	1/2-13 X 5/8 SILICON BRONZE HHCS	1.000 ea



416820-002

A-C MOTOR
 CONNECTION DIAGRAM
 STANDARD 9 LEAD DELTA-CONNECTED



(N.P. 1575-B)

416820-002

REV. DESC: FONT CHANGE FOR PDF SEARCHABLE		
REV. LTR: A	VERSION: 01	TDR: 000001009382
FILE: \MGA\00000\661	REVISED: 02:46:19 02/13/2020	BY: MGHMTT
MTL: -		© □

BALDOR - RELIANCE®

CONN DIAG - STANDARD 9 LEAD, DELTA-CONNECTED

SH 1 of 1