

BALDOR® • RELIANCE™

Customer information packet

EM2559T-4CI

125HP, 1785RPM, 3PH, 60HZ, 405T, ODP, FOOT,
Class - None
Division - Not Applicable

Specifications

Enclosure	DP
Frame	405T
Frame Material	Iron
Frequency	60.00 Hz
Haz Area Class and Group	None
Haz Area Division	Not Applicable
Motor Letter Type	Three Phase
Output @ Frequency	125.000 HP @ 60 HZ
Phase	3
Synchronous Speed @ Frequency	1800 RPM @ 60 HZ
Voltage @ Frequency	460.0 V @ 60 HZ
Agency Approvals	CCSA US CCSAUSEEV CSA EEV
Ambient Temperature	40 °C
Auxillary Box	No Auxillary Box
Base Indicator	Rigid
Bearing Grease Type	Polyrex EM (-20F +300F)
Current @ Voltage	141.000 A @ 460.0 V
Design Code	B
Drip Cover	No Drip Cover
Duty Rating	CONT
Efficiency @ 100% Load	95.4 %
Feedback Device	NO FEEDBACK
Heater Indicator	No Heater
High Voltage Full Load Amps	141.0 a
Insulation Class	F
Inverter Code	Inverter Ready
KVA Code	G
Lifting Lugs	No Lifting Lugs
Motor Lead Quantity/Wire Size	6 @ 4 AWG
Motor Standards	NEMA

Part detail

Revision	L
Type	AC
Mech. spec.	
Base	
Status	PRD/A
Elec. spec.	A40WG0248
Layout	617428-119
Eff. date	09-04-2024
CD Diagram	416820-036
Poles	04
Leads	3#4 (02 per group)
Proprietary	False
Created date	10-19-2010

Motor Type	A40064M
Mounting Arrangement	F1
Number of Poles	4
Power Factor	87
Pulley End Bearing Type	Ball
Pulley Face Code	C-Face
Service Factor	1.15
Shaft Diameter	2.875 IN
Shaft Ground Indicator	No Shaft Grounding
Shaft Rotation	Reversible
Shaft Slinger Indicator	No Slinger
Speed	1785 rpm
Speed Code	Single Speed
Starting Method	Direct on line
Thermal Device - Bearing	None
Thermal Device - Winding	None

Nameplate

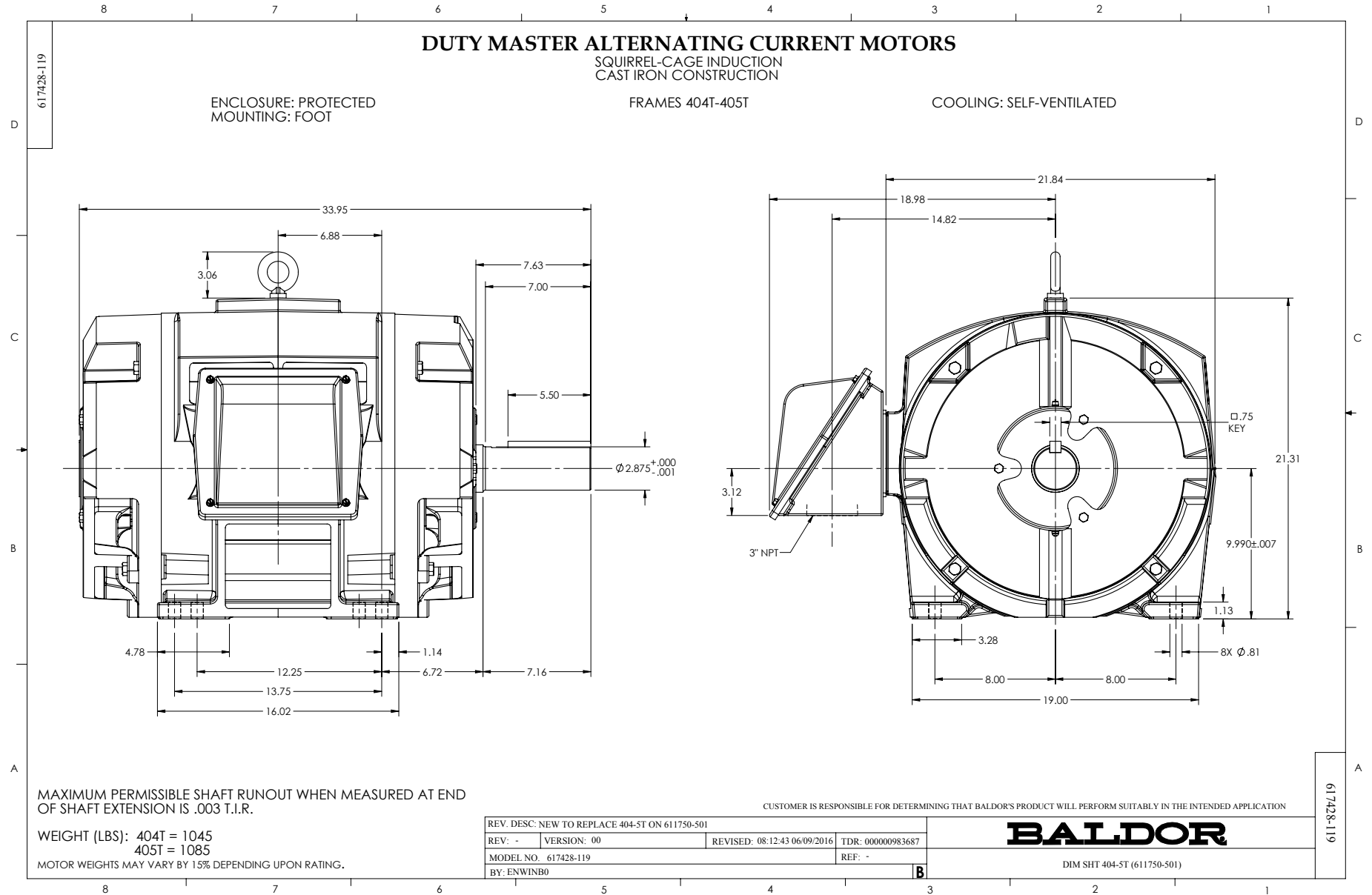
NP2349L

SPEC NO.	P40G298	CAT.NO.	EM2559T-4CI	FRAME	405T
HP	125	VOLTS	460	PHASE	3
RPM	1785	AMPS	141	DESIGN	B
DRIVE END BEARING	80BC03J30X	DUTY	CONT	TYPE	P
OPP D.E. BEARING	80BC03J30X	ENCL	DP	INSUL.CLASS	F
SER.NO.		CODE	G	HZ	60
		POWER FACTOR	87	AMB	40
				SF	1.15
				NEMA-NOM-EFFICIENCY	95.4
				MAX CORR KVAR	25.0
				GUARANTEED EFFICIENCY	95.0
				NEMA NOM/CSA QUOTED EFF	
				MOTOR WEIGHT	

Parts list

Part number	Description	Quantity
SA209227	SA P40G298	1.000 ea
RA196489	RA P40G298	1.000 ea
000613006PU	N/P (RELEASE QTY 10,000) UL CSA LABEL	1.000 ea
000692000VD	LABEL WARNING	1.000 ea
NP2349L	SUPER-E ,SS, CURUS EEV, CC, LASER	1.000 ea
032018005AK	HHCS 1/4-20X5/8 PLATED	4.000 ea
032018020DK	HHCS 1/2-13X2-1/2 PLTD. 963746	2.000 ea
032018026DK	HHCS 1/2-13X3-1/4L PLTD.	2.000 ea
032018030CK	HHCS 3/8-16X3-3/4 PLATED	3.000 ea
034000012AB	WSHR 1/4 STD. PLATED	4.000 ea
034017012AB	LCKW 1/4 STD. PLATED 034017012AF	4.000 ea
034600001AA	BUSH 1/4TO1/8 BLACK	1.000 ea
035000001G	GREASE RELIEF FITTING, ALEMITE 317400	1.000 ea
089407052A	BRKT 400 089407052WCB	1.000 ea
089407052A	BRKT 400 089407052WCB	1.000 ea
702609001A	BAFFL 400 SUB PAINT	1.000 ea
410700000DA	WAVY SPRING WASHER	1.000 ea
702609001A	BAFFL 400 SUB PAINT	1.000 ea
034600001AA	BUSH 1/4TO1/8 BLACK	1.000 ea
035000001G	GREASE RELIEF FITTING, ALEMITE 317400	1.000 ea
034000012AB	WSHR 1/4 STD. PLATED	4.000 ea
034017012AB	LCKW 1/4 STD. PLATED 034017012AF	4.000 ea
032018030CK	HHCS 3/8-16X3-3/4 PLATED	3.000 ea
032018026DK	HHCS 1/2-13X3-1/4L PLTD.	2.000 ea
032018020DK	HHCS 1/2-13X2-1/2 PLTD. 963746	2.000 ea
032018005AK	HHCS 1/4-20X5/8 PLATED	4.000 ea
004824015A	GREASE POLYREX EM	1.000 lb
PK5004A02	WOOD BASE 40X32 WITH STACKED 2X4 RUNNER	1.000 ea
065776000C	GASKET,MAIN CBOX, 320-400	1.000 ea
032018010CK	HHCS 3/8-16X1-1/4 PLTD. 032018010CR	4.000 ea
033512008LB	HHTTS 1/4-20X1 PLATED	4.000 ea

035000001A	ALFTG 1/8" 1610-BL	1.000 ea
035000001A	ALFTG 1/8" 1610-BL	1.000 ea
048897010DH	BUSH - 400	1.000 ea
067053000B	GASK 320-400	1.000 ea
076708000BB	CONDUIT BOX-360	1.000 ea
076709000A	C/B Cover - 360	1.000 ea
415000115H	T/LUG #2AWG-4/0AWG	1.000 ea
418150003A	GREASE FITTING CAP	1.000 ea
033775004EA	DRSCR #6-1/4 304 S.S.	2.000 ea
418150003A	GREASE FITTING CAP	1.000 ea
034180044JA	KEY 3/4X3/4X5-1/2 L	1.000 ea
421948051	LABEL, MYLAR	1.000 ea
MG1025N19	WILKO 778.50 BLUE GREEN - 55 GAL DRUMS	0.250 ga
004824003CBY	WILKO PAINT 060.02 - ACTIVATOR	0.063 ga
004824015A	GREASE POLYREX EM	0.560 lb
032018005DL	1/2-13 X 5/8 SILICON BRONZE HHCS	1.000 ea
604799003C	PLASTIC BAG 42X32X46	1.000 ea
604797045	STD. 400 FRAME SKID	1.000 ea



416820-036

A-C MOTOR
CONNECTION DIAGRAM
STANDARD 3 LEAD CONNECTED



(N.P. 1575-BA)

416820-036

REV. DESC: LOADED TO BUS, C/R 335225		
REV. LTR: -	VERSION: 00	TDR: 000000538207
FILE: \MGA\00000\682	REVISED: 11: 54: 06 04/30/2010	
MTL: -	BY: RAGRA	

BALDOR

CONN DIAG - STANDARD 3 LEAD
SH 1 of 1