



---

# Customer information packet

## EM3157T-8G

2HP, 1755RPM, 3PH, 60HZ, 145T, 3528M, OPSB, F1

Class - None

Division - Not Applicable

## Specifications

Enclosure	OPSB
Frame	145T
Frame Material	Steel
Frequency	60.00 Hz
Haz Area Class and Group	None
Haz Area Division	Not Applicable
Motor Letter Type	Three Phase
Output @ Frequency	2.000 HP @ 60 HZ
Phase	3
Synchronous Speed @ Frequency	1800 RPM @ 60 HZ
Voltage @ Frequency	200.0 V @ 60 HZ
Agency Approvals	NEMA PREMIUM NEMA_PREMIUM UR CSA EEV
Ambient Temperature	40 °C
Auxillary Box	No Auxillary Box
Auxillary Box Lead Termination	None
Base Indicator	Rigid
Bearing Grease Type	Polyrex EM (-20F +300F)
Blower	None
Current @ Voltage	6.000 A @ 200.0 V
Design Code	B
Drip Cover	No Drip Cover
Duty Rating	CONT
Efficiency @ 100% Load	86.5 %
Electrically Isolated Bearing	Not Electrically Isolated
Feedback Device	NO FEEDBACK
Front Shaft Indicator	None
Heater Indicator	No Heater
High Voltage Full Load Amps	6.0 a
Insulation Class	H

## Part detail

Revision	F
Type	AC
Mech. spec.	35Z069
Base	
Status	PRD/A
Elec. spec.	35WGG112
Layout	35LYZ069
Eff. date	09-10-2024
CD Diagram	CD0006
Poles	04
Leads	3#18
Proprietary	False
Created date	01-10-2022

Inverter Code	Not Inverter
KVA Code	K
Lifting Lugs	No Lifting Lugs
Locked Bearing Indicator	Locked Bearing
Motor Lead Quantity/Wire Size	3 @ 18 AWG
Motor Lead Termination	Flying Leads
Motor Standards	NEMA
Motor Type	3528M
Mounting Arrangement	F1
Number of Poles	4
Overall Length	12.13 IN
Power Factor	82
Product Family	General Purpose
Pulley End Bearing Type	Ball
Pulley Face Code	Standard
Pulley Shaft Indicator	Standard
Rodent Screen	None
Service Factor	1.15
Shaft Diameter	0.875 IN
Shaft Ground Indicator	Shaft Grounding
Shaft Rotation	Reversible
Shaft Slinger Indicator	No Slinger
Speed	1755 rpm
Speed Code	Single Speed
Starting Method	Direct on line
Thermal Device - Bearing	None
Thermal Device - Winding	None
Vibration Sensor Indicator	No Vibration Sensor
Winding Thermal 1	None
Winding Thermal 2	None

**Nameplate**

<b>NP3553L</b>									
<b>CAT.NO.</b>	EM3157T-8G								
<b>SPEC</b>	35Z069G112G1								
<b>HP</b>	2								
<b>VOLTS</b>	200								
<b>AMPS</b>	6.7								
<b>RPM</b>	1765								
<b>FRAME</b>	145T		<b>HZ</b>	60		<b>PH</b>	3		
<b>SF</b>	1.15	<b>CODE</b>	L	<b>DES</b>	B	<b>CLASS</b>	H		
<b>NEMA NOM. EFF</b>	86.5	<b>PF</b>	74						
<b>RATING</b>	40C AMB-CONT								
<b>CC</b>	010A								
<b>ENCL</b>	OPSB	<b>SER</b>							
<b>DE</b>	6205		<b>ODE</b>	6203					
<b>VPWM INVERTER READY</b>		SFA 7.2							
<b>CT30-60(2:1) VT3-60(20:1)</b>									

## Parts list

Part number	Description	Quantity
SA402479	SA 35Z069G112G1	1.000 ea
RA393756	RA 35Z069G112G1	1.000 ea
NS2512A01	INSULATOR, CONDUIT BOX X	1.000 ea
35CB3009	35 CB W/1.09 DIA. LEAD HOLE @ 6:	1.000 ea
51XB1016A06	10-16X3/8 HXWSSLD SERTYB	2.000 ea
11XW1032G06	10-32 X .38, TAPTITE II, HEX WSHR SLTD U	1.000 ea
35EP3209G00	MASTER ODE,203 BRG	1.000 ea
HW5100A03	WAVY WASHER (W1543-017)	1.000 ea
35EP3210C00	MASTER DE,205 BRG,1.000SH,LCK BRG	1.000 ea
51XN1032A18	10-32 X 1 1/8 HX WS SL SR (ESKAY)	2.000 ea
XY1032A02	10-32 HEX NUT DIRECTIONAL SERRATION	4.000 ea
35CB4521	35 LIPPED CB LID (GALV & PHOSPH)	1.000 ea
51XW0832A07	8-32 X .44, TAPTITE II, HEX WSHR SLTD SE	4.000 ea
HW2501D13	KEY, 3/16 SQ X 1.375	1.000 ea
HA7000A01	KEY RETAINER 7/8" DIA SHAFT	1.000 ea
85XU0407S04	4X1/4 U DRIVE PIN STAINLESS	2.000 ea
LB1459	AEGIS SGR LABEL "AEGISLBL-100"	1.000 ea
MJ1000A02	GREASE, POLYREX EM EXXON	0.050 lb
MG1050Y01	CELEROL BALDOR GOLD *** NLA IN 5 GALLON	0.017 ga
HA3100A38	THRUBOLT 10-32 X 9.375	4.000 ea
35AD2005A01	BAFFLE PLATE,MOD 35-SLTD BAND MTRS TDR	1.000 ea
LB1624	COMBINED WARNING LABEL, ISO/ANSI PICTOGR	1.000 ea
LC0006	CONNECTION LABEL	1.000 ea
NP3553L	ALUM SUPER-E,VPWM INV READY,UL EV,CC,NEM	1.000 ea
35PA1066	PKG GRP, PRINT PK1008A06	1.000 ea
MN416A01	TAG-INSTAL-MAINT no wire (2500bx)4/22	1.000 ea
LB1350	BAR CODE LABEL FOR YORK	1.000 ea
FE-0000001	ZRTG FE ASSEMBLY	1.000 ea
PE-0000001	ZRTG PE ASSEMBLY	1.000 ea

**AC Induction Motor Performance Data**

Record # 81992

Typical performance - not guaranteed values

<b>Winding:</b> 35WGG112-R002		<b>Type:</b> 3528M		<b>Enclosure:</b> OPEN	
<b>Nameplate Data</b>			<b>200 V, 60 Hz: Single Voltage Motor</b>		
<b>Rated Output (HP)</b>	2	<b>Full Load Torque</b>	5.95 LB-FT		
<b>Volts</b>	200	<b>Start Configuration</b>	direct on line		
<b>Full Load Amps</b>	6	<b>Breakdown Torque</b>	23.11 LB-FT		
<b>R.P.M.</b>	1755	<b>Pull-up Torque</b>	14 LB-FT		
<b>Hz</b>	60	<b>Locked-rotor Torque</b>	16.93 LB-FT		
<b>NEMA Design Code</b>	B	<b>Starting Current</b>	55.76 A		
<b>Service Factor (S.F.)</b>	1.15	<b>No-load Current</b>	3.84 A		
<b>NEMA Nom. Eff.</b>	86.5	<b>Line-line Res. @ 25°C</b>	1.92 Ω		
<b>Rating - Duty</b>	40C	<b>Temp. Rise @ Rated Load</b>	58°C		
<b>S.F. Amps</b>	AMB-CONT	<b>Temp. Rise @ S.F. Load</b>	71°C		
		<b>Locked-rotor Power Factor</b>	56.9		
		<b>Rotor inertia</b>	0.202 lb-ft <sup>2</sup>		

**Load Characteristics 200 V, 60 Hz, 2 HP**

<b>% of Rated Load</b>	<b>25</b>	<b>50</b>	<b>75</b>	<b>100</b>	<b>125</b>	<b>150</b>	<b>S.F.</b>
<b>Power Factor</b>	35	55	69	77	81	84	77
<b>Efficiency</b>	77.5	85	86.7	86.4	85.1	83.5	85.8
<b>Speed</b>	1791	1783	1774	1765	1756	1744	1763
<b>Line amperes</b>	4.03	4.6	5.44	6.5	7.8	9.13	7.2

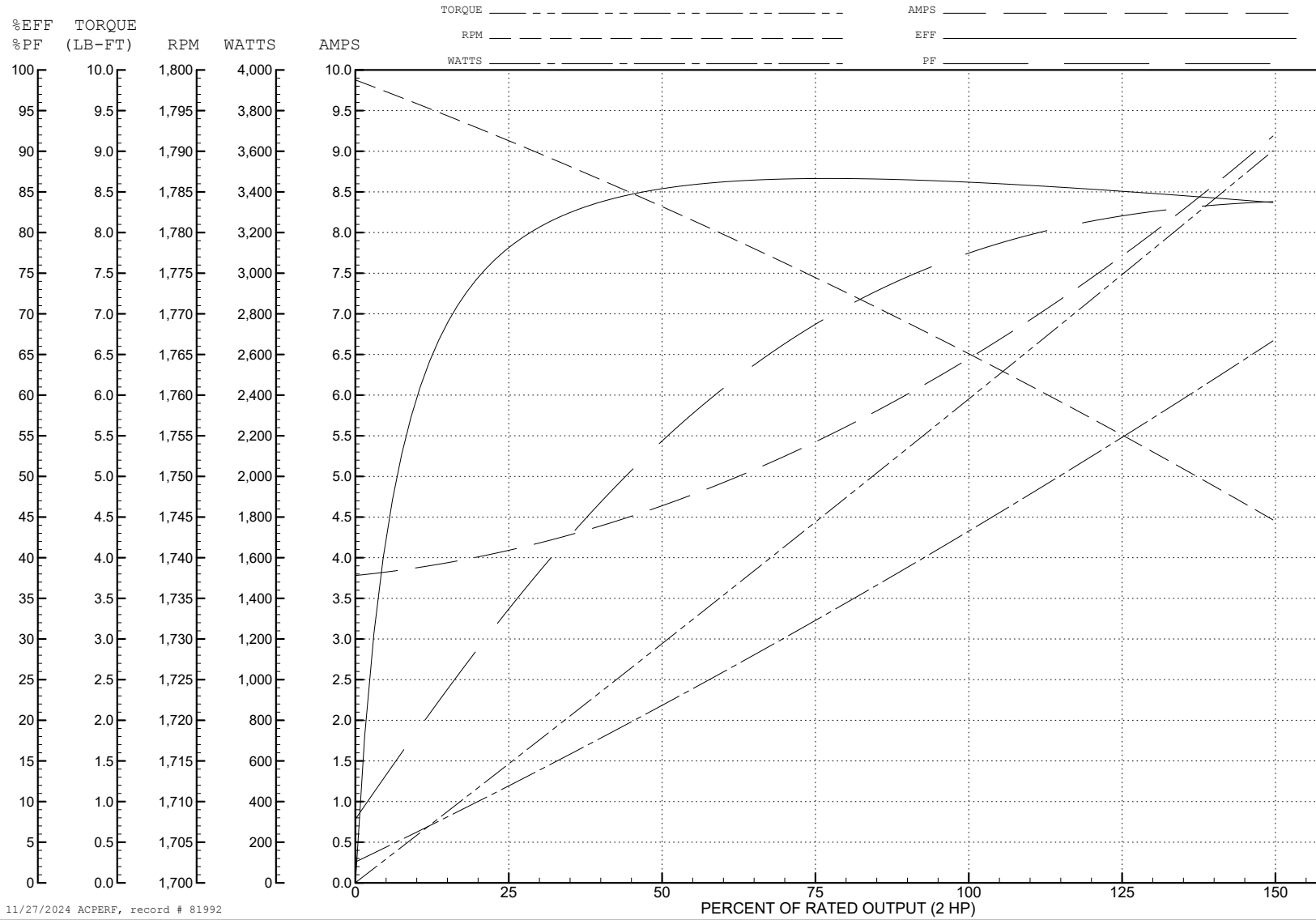
ABB Motors and Mechanical Inc.

WINDING # 35WGG112

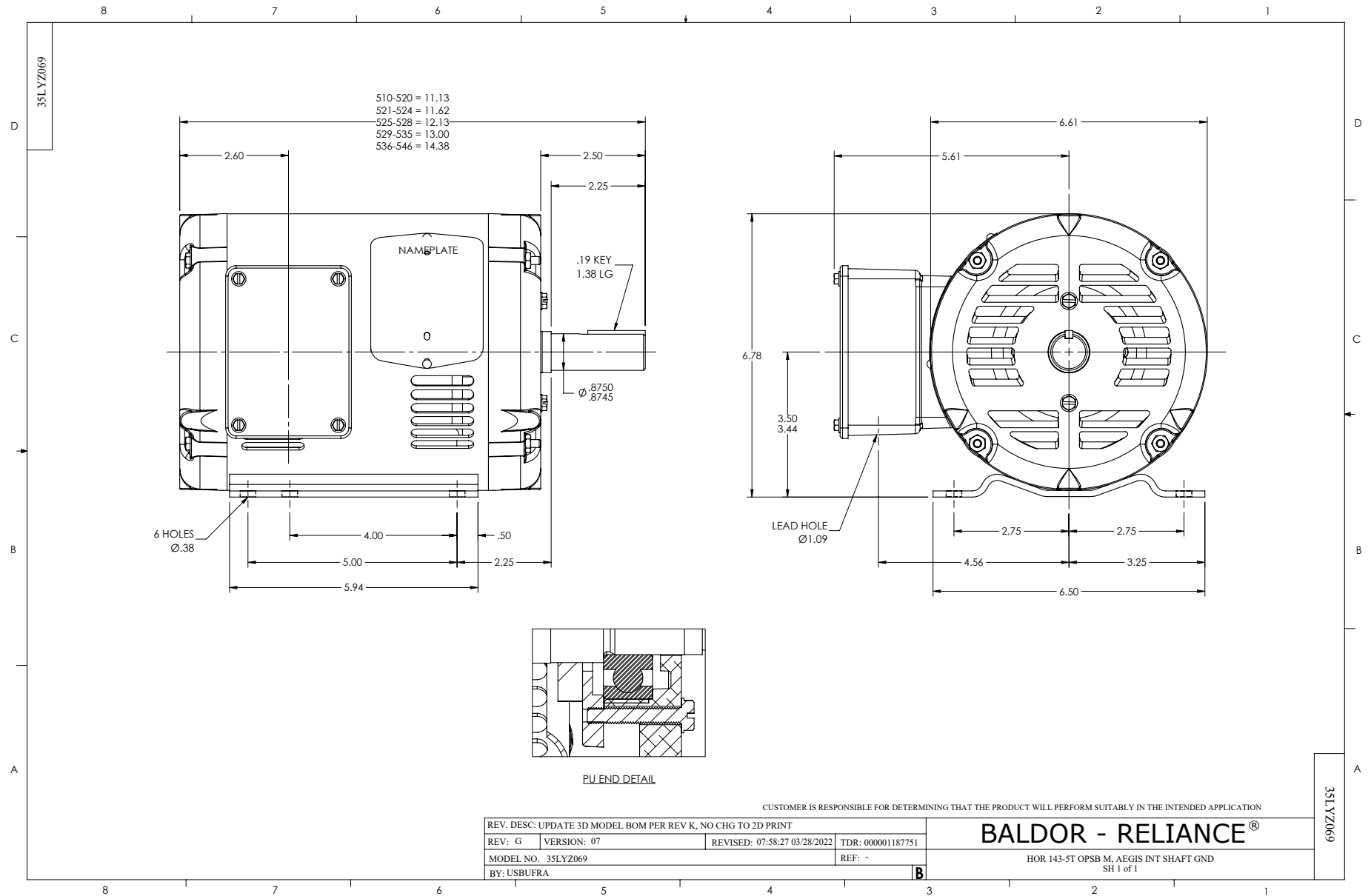
Typical performance - not guaranteed values.

2 HP 3 PH 60 HZ 1755 RPM 200 V 3528M

TORQUES (LB-FT): PO=23.11 PU=14 LR=16.93 LRA=55.76

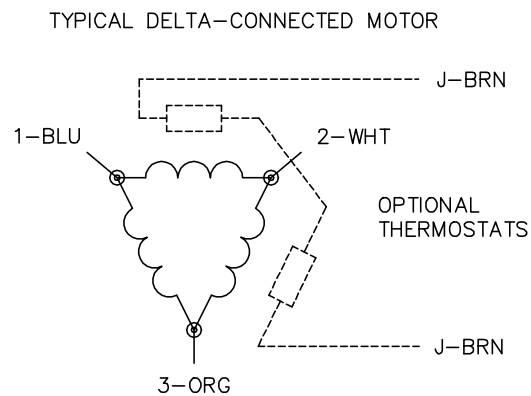
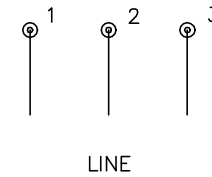
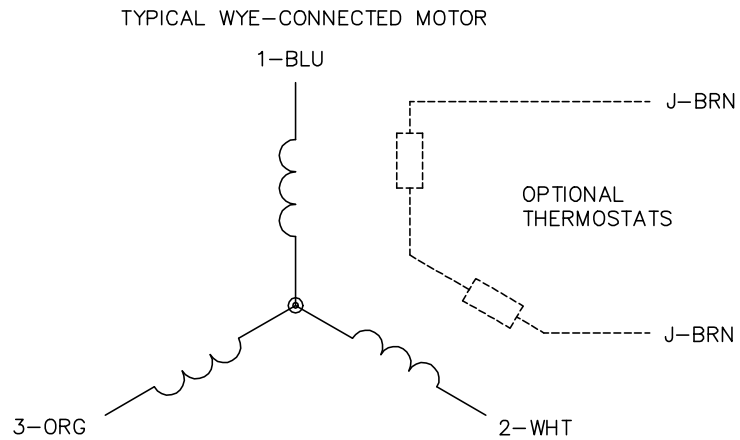


11/27/2024 ACPERF, record # 81992





CD0006



NOTES:

1. THREE LEAD MOTOR MAY BE EITHER WYE CONNECTED OR DELTA CONNECTED.
2. INTERCHANGE ANY TWO LINE LEADS TO REVERSE ROTATION.
3. OPTIONAL THERMOSTATS ARE PROVIDED WHEN SPECIFIED.
4. ACTUAL NUMBER OF INTERNAL PARALLEL CIRCUITS MAY VARY.
5. LEAD COLORS ARE OPTIONAL. LEADS MUST BE NUMBERED AS SHOWN.

CD0006

REV. DESC: ADD CLASS CONN00000007		
REV. LTR: E	VERSION: 01	TDR: 000001099922
FILE: \AAA\00005\141	REVISED: 10:24:49 02/19/2019	BY: ENBRIRO
MTL: -	© □	

**BALDOR - RELIANCE®**

3PH, SV, 3 LEADS, WYE OR DELTA CONNECTED

SH 1 of 1