



Customer information packet

EM3211T-5

3HP, 1765RPM, 3PH, 60HZ, 182T, 3630M, OPSB, F1

Class - None

Division - Not Applicable

Specifications

Enclosure	OPSB
Frame	182T
Frame Material	Steel
Frequency	60.00 Hz
Haz Area Class and Group	None
Haz Area Division	Not Applicable
Motor Letter Type	Three Phase
Output @ Frequency	3.000 HP @ 60 HZ
Phase	3
Synchronous Speed @ Frequency	1800 RPM @ 60 HZ
Voltage @ Frequency	575.0 V @ 60 HZ
Agency Approvals	CURUSEEV NEMA PREMIUM NEMA_PREMIUM UR CSA EEV
Ambient Temperature	40 °C
Auxillary Box	No Auxillary Box
Auxillary Box Lead Termination	None
Base Indicator	Rigid
Bearing Grease Type	Polyrex EM (-20F +300F)
Blower	None
Current @ Voltage	3.400 A @ 575.0 V
Design Code	B
Drip Cover	No Drip Cover
Duty Rating	CONT
Efficiency @ 100% Load	89.5 %
Electrically Isolated Bearing	Not Electrically Isolated
Feedback Device	NO FEEDBACK
Front Face Code	Standard
Front Shaft Indicator	None
Heater Indicator	No Heater

Part detail

Revision	U
Type	AC
Mech. spec.	36G548
Base	
Status	PRD/A
Elec. spec.	36WGS763
Layout	36LYG548
Eff. date	06-11-2024
CD Diagram	CD0006
Poles	04
Leads	3#16
Proprietary	False
Created date	06-29-2011

High Voltage Full Load Amps	3.4 a
Insulation Class	F
Inverter Code	Inverter Ready
KVA Code	K
Lifting Lugs	Standard Lifting Lugs
Locked Bearing Indicator	No Locked Bearing
Motor Lead Exit	Ko Box
Motor Lead Quantity/Wire Size	3 @ 16 AWG
Motor Lead Termination	Flying Leads
Motor Standards	NEMA
Motor Type	3630M
Mounting Arrangement	F1
Number of Poles	4
Overall Length	15.00 IN
Power Factor	74
Product Family	General Purpose
Pulley End Bearing Type	Ball
Pulley Face Code	Standard
Pulley Shaft Indicator	Standard
Rodent Screen	None
Service Factor	1.15
Shaft Diameter	1.125 IN
Shaft Extension Location	Pulley End
Shaft Ground Indicator	No Shaft Grounding
Shaft Rotation	Reversible
Shaft Slinger Indicator	No Slinger
Speed	1765 rpm
Speed Code	Single Speed
Starting Method	Direct on line
Thermal Device - Bearing	None
Thermal Device - Winding	None
Vibration Sensor Indicator	No Vibration Sensor
Winding Thermal 1	None
Winding Thermal 2	None

Nameplate

NP3553L									
CAT.NO.	EM3211T-5								
SPEC	36G548S763G1								
HP	3								
VOLTS	575								
AMPS	3.4								
RPM	1765								
FRAME	182T		HZ	60		PH	3		
SF	1.15	CODE	K	DES	B	CLASS	F		
NEMA NOM. EFF	89.5	PF	74						
RATING	40C AMB-CONT								
CC	010A								
ENCL	OPSB	SER							
DE	6206		ODE	6205					
VPWM INVERTER READY									
CT30-60(2:1) VT3-60(20:1)									

Parts list

Part number	Description	Quantity
SA226369	SA 36G548S763G1	1.000 ea
RA213467	RA 36G548S763G1	1.000 ea
36CB3004	36 CB CASTING W/1.09 DIA LEAD HOLE @ 6:0	1.000 ea
51XB1016A07	10-16 X 7/16 HXWSSLD SERTYB	2.000 ea
11XW1032G06	10-32 X .38, TAPTITE II, HEX WSHR SLTD U	1.000 ea
36EP3204B00	MASTER ODE,205 BRG,GRSR	1.000 ea
HW4500A01	1641B(ALEMITE)400 UNIV, GREASE FITT	1.000 ea
HW5100A05	WVY WSHR F/205 & 304 BRGS	1.000 ea
36EP3205D00	MASTER DE,206 BRG,1.197SH,GRSR	1.000 ea
HW4500A01	1641B(ALEMITE)400 UNIV, GREASE FITT	1.000 ea
XY2520A12	1/4-20 HEX NUT, DIRECTIONAL SERRATIONS	4.000 ea
36CB4516	750LIPPED CB LID - GALVANNEAL	1.000 ea
51XW0832A07	8-32 X .44, TAPTITE II, HEX WSHR SLTD SE	4.000 ea
HW2501E19	STD SQUARE KEY .25 SQUARE X 2.125 LONG	1.000 ea
HA7000A02	KEY RETAINER RING, 1 1/8 DIA, 1 3/8 DIA	1.000 ea
85XU0407S04	4X1/4 U DRIVE PIN STAINLESS	2.000 ea
HA6362ZP	LIFTING LUG FOR 36 FRAME MOTORS.	2.000 ea
MJ1000A02	GREASE, POLYREX EM EXXON	0.050 lb
HA3101A45	THRUBOLT- 1/4-20 X 11.126	4.000 ea
36AD2004A01	BAFFLE PLATE,MOD 36-SLTD BAND MTRS DELTA	2.000 ea
MG1050Y01	CELEROL BALDOR GOLD *** NLA IN 5 GALLON	0.022 ga
LC0006	CONNECTION LABEL	1.000 ea
NP3553L	ALUM SUPER-E,VPWM INV READY,UL EV,CC,NEM	1.000 ea
36PA1000	PKG GRP, PRINT PK1016A06	1.000 ea
MN416A01	TAG-INSTAL-MAINT no wire (2500bx)4/22	1.000 ea
PE-0000001	ZRTG PE ASSEMBLY	1.000 ea
FE-0000001	ZRTG FE ASSEMBLY	1.000 ea
LB1624	COMBINED WARNING LABEL, ISO/ANSI PICTOGR	1.000 ea

Accessories

Part number	Description	Multiplier
36-3403	C FACE KIT	A8
36EP1405A09SP	D-FLANGE KIT	

AC Induction Motor Performance Data

Record # 34573

Typical performance - not guaranteed values

Winding: 36WGS763-R001		Type: 3630M		Enclosure: OPSB	
Nameplate Data			575 V, 60 Hz: Single Voltage Motor		
Rated Output (HP)		3	Full Load Torque		8.85 LB-FT
Volts		575	Start Configuration		direct on line
Full Load Amps		3.4	Breakdown Torque		37.8 LB-FT
R.P.M.		1765	Pull-up Torque		17.5 LB-FT
Hz	60 Phase	3	Locked-rotor Torque		21.5 LB-FT
NEMA Design Code	B KVA Code	K	Starting Current		26.2 A
Service Factor (S.F.)		1.15	No-load Current		1.99 A
NEMA Nom. Eff.	89.5 Power Factor	74	Line-line Res. @ 25°C		5.92 Ω
Rating - Duty		40C AMB-CONT	Temp. Rise @ Rated Load		24°C
S.F. Amps			Temp. Rise @ S.F. Load		29°C
			Locked-rotor Power Factor		43
			Rotor inertia		0.279 LB-FT ²

Load Characteristics 575 V, 60 Hz, 3 HP

% of Rated Load	25	50	75	100	125	150	S.F.
Power Factor	32	53	66	73	78	81	76
Efficiency	79.9	87.5	89.5	89.8	89.6	88.4	89.7
Speed	1791	1783	1775	1766	1756	1745	1760
Line amperes	2.12	2.43	2.87	3.42	4	4.69	3.77

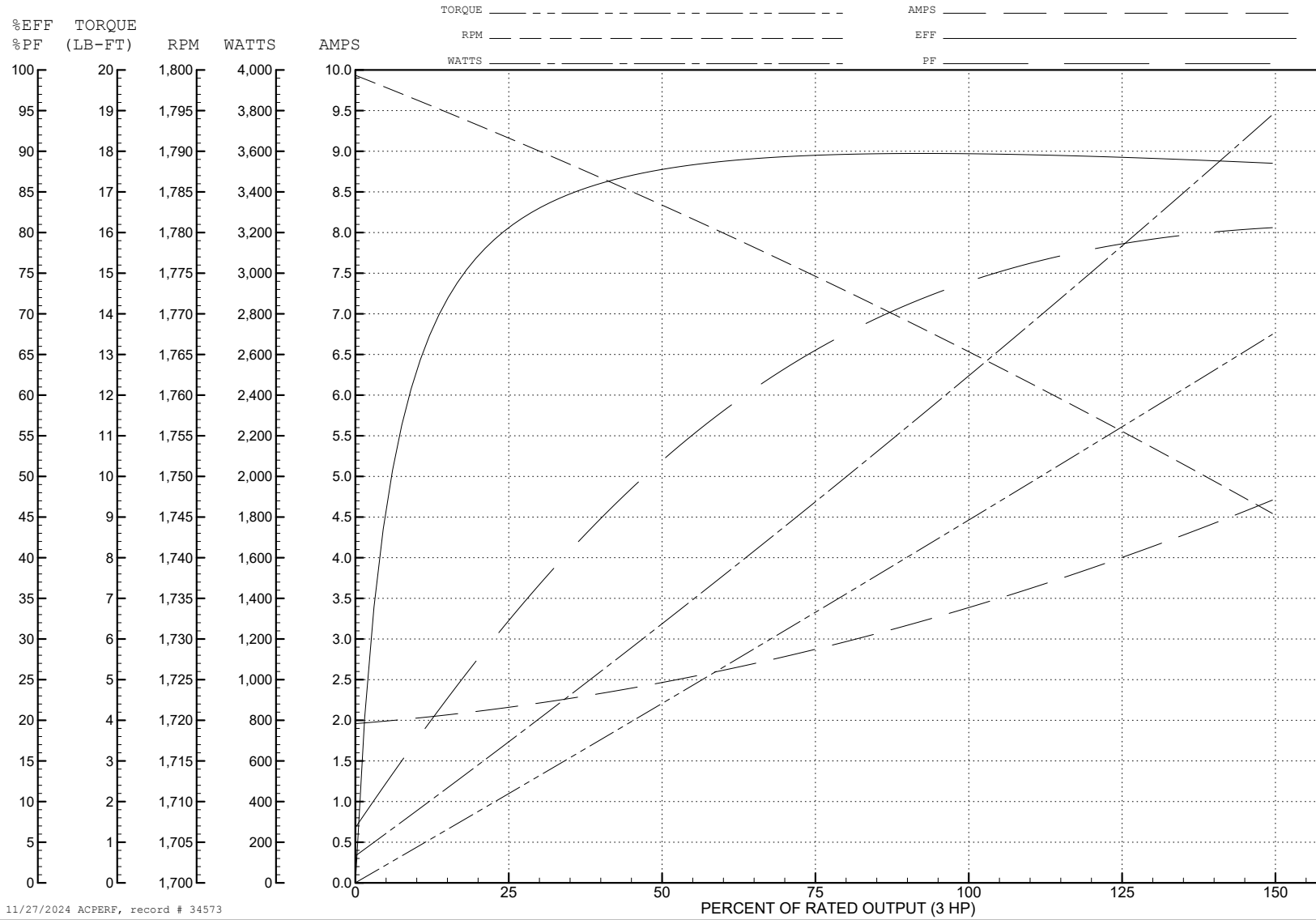
ABB Motors and Mechanical Inc.

WINDING # 36WGS763

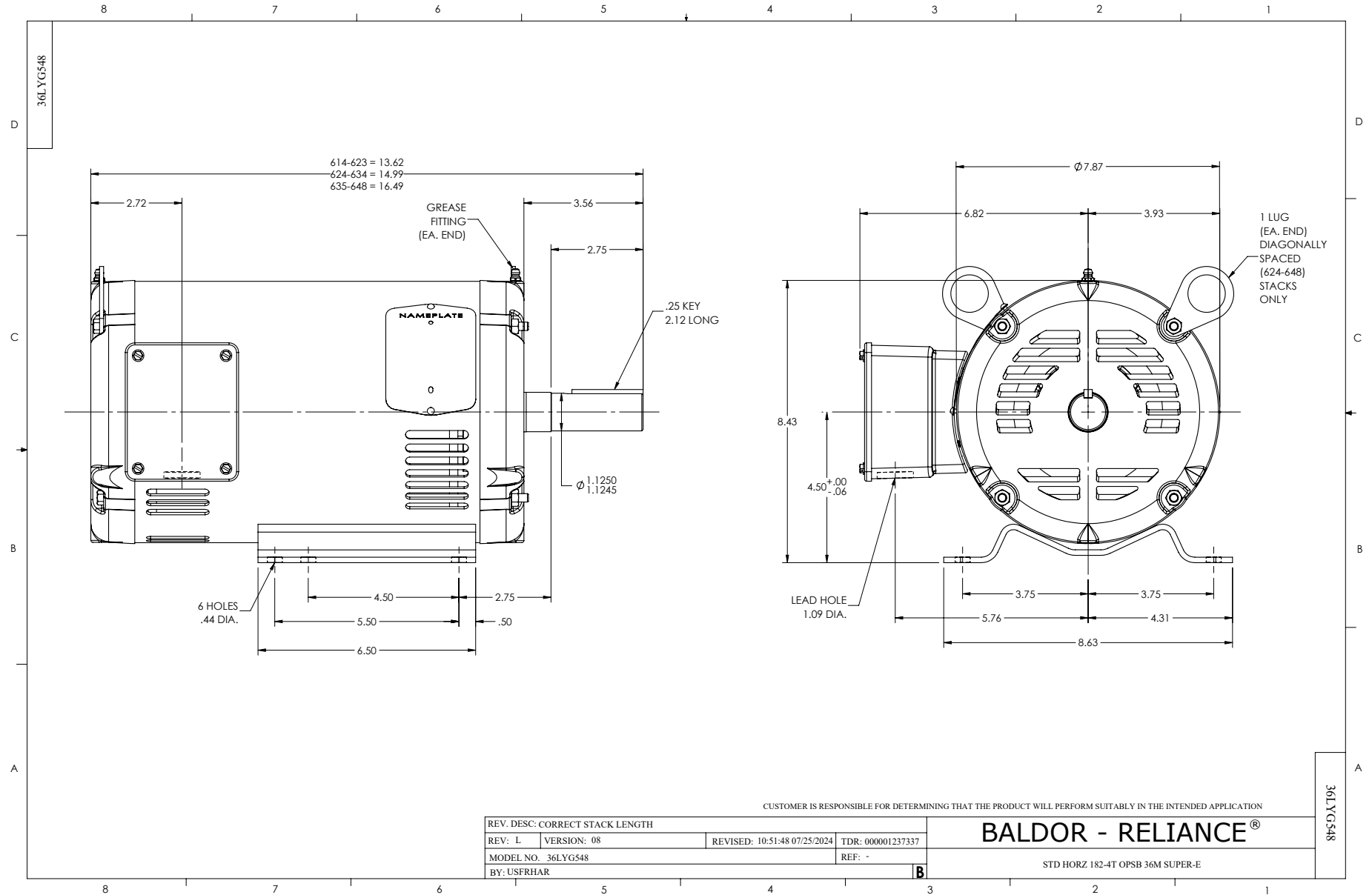
3 HP 3 PH 60 HZ 1765 RPM 575 V 3630M

Typical performance - not guaranteed values.

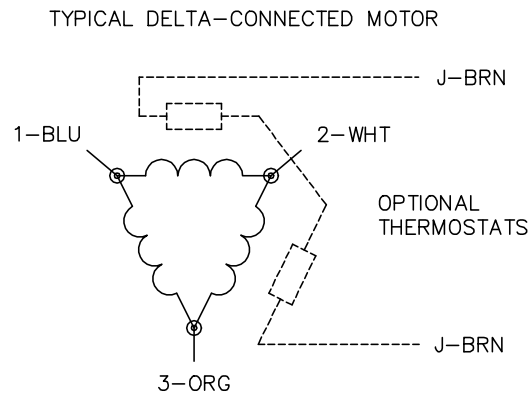
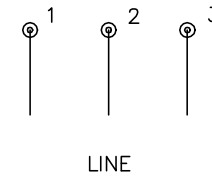
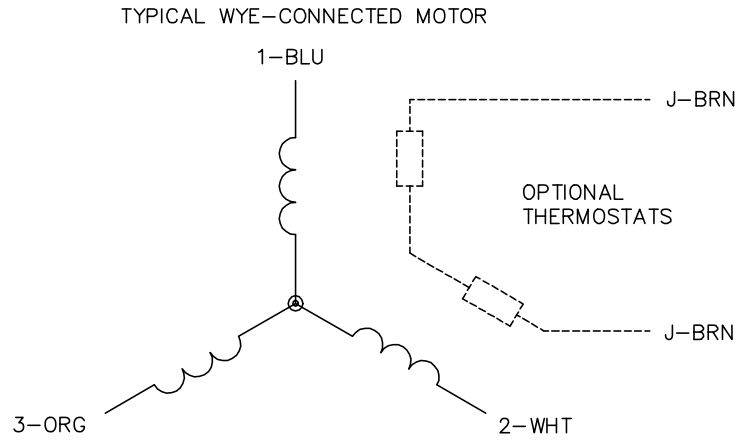
TORQUES (LB-FT): PO=37.8 PU=17.5 LR=21.5 LRA=26.2



11/27/2024 ACPERF, record # 34573



CD0006



NOTES:

1. THREE LEAD MOTOR MAY BE EITHER WYE CONNECTED OR DELTA CONNECTED.
2. INTERCHANGE ANY TWO LINE LEADS TO REVERSE ROTATION.
3. OPTIONAL THERMOSTATS ARE PROVIDED WHEN SPECIFIED.
4. ACTUAL NUMBER OF INTERNAL PARALLEL CIRCUITS MAY VARY.
5. LEAD COLORS ARE OPTIONAL. LEADS MUST BE NUMBERED AS SHOWN.

CD0006

REV. DESC: ADD CLASS CONN00000007		
REV. LTR: E	VERSION: 01	TDR: 000001099922
FILE: \AAA\00005\141	REVISED: 10:24:49 02/19/2019	BY: ENBRIRO
MTL: -	© □	

BALDOR - RELIANCE®

3PH, SV, 3 LEADS, WYE OR DELTA CONNECTED

SH 1 of 1