



Customer information packet

EM3555T-5

2HP, 3490RPM, 3PH, 60HZ, 145T, 3526M, TEFC, F1

Class - None

Division - Not Applicable

Specifications

Enclosure	TEFC
Frame	143T
Frame Material	Steel
Frequency	60.00 Hz
Haz Area Class and Group	None
Haz Area Division	Not Applicable
Motor Letter Type	Three Phase
Output @ Frequency	2.000 HP @ 60 HZ
Phase	3
Synchronous Speed @ Frequency	3600 RPM @ 60 HZ
Voltage @ Frequency	575.0 V @ 60 HZ
Agency Approvals	NEMA_PREMIUM CSA EEV NEMA PREMIUM UR
Ambient Temperature	40 °C
Auxillary Box	No Auxillary Box
Auxillary Box Lead Termination	None
Base Indicator	Rigid
Bearing Grease Type	Polyrex EM (-20F +300F)
Blower	None
Current @ Voltage	2.000 A @ 575.0 V
Design Code	B
Drip Cover	No Drip Cover
Duty Rating	CONT
Efficiency @ 100% Load	85.5 %
Electrically Isolated Bearing	Not Electrically Isolated
Feedback Device	NO FEEDBACK
Front Face Code	Standard
Front Shaft Indicator	None
Heater Indicator	No Heater
High Voltage Full Load Amps	2.0 a

Part detail

Revision	R
Type	AC
Mech. spec.	35TT638
Base	
Status	PRD/A
Elec. spec.	35WGM831
Layout	35LYTT638
Eff. date	04-30-2024
CD Diagram	CD0006
Poles	02
Leads	3#18
Proprietary	False
Created date	05-16-2012

Insulation Class	F
Inverter Code	Inverter Ready
IP Rating	NONE
KVA Code	M
Lifting Lugs	No Lifting Lugs
Locked Bearing Indicator	No Locked Bearing
Motor Lead Exit	Ko Box
Motor Lead Quantity/Wire Size	3 @ 18 AWG
Motor Lead Termination	Flying Leads
Motor Standards	NEMA
Motor Type	3526M
Mounting Arrangement	F1
Number of Poles	2
Overall Length	13.29 IN
Power Factor	88
Product Family	General Purpose
Pulley End Bearing Type	Ball
Pulley Face Code	Standard
Pulley Shaft Indicator	Standard
Rodent Screen	None
RoHS Status	ROHS COMPLIANT
Service Factor	1.15
Shaft Diameter	0.875 IN
Shaft Extension Location	Pulley End
Shaft Ground Indicator	No Shaft Grounding
Shaft Rotation	Reversible
Shaft Slinger Indicator	No Slinger
Speed	3490 rpm
Speed Code	Single Speed
Starting Method	Direct on line
Thermal Device - Bearing	None
Thermal Device - Winding	None
Vibration Sensor Indicator	No Vibration Sensor
Winding Thermal 1	None

Winding Thermal 2

None

Nameplate**NP3441L**

CAT.NO.	EM3555T-5						
SPEC.	35TT638M831G1						
HP	2						
VOLTS	575						
AMP	2						
RPM	3490						
FRAME	143T		HZ	60		PH	3
SER.F.	1.15	CODE	M	DES	B	CL	F
NEMA-NOM-EFF	85.5	PF	88				
RATING	40C AMB-CONT						
CC	010A						
DE	6205		ODE	6203			
ENCL	TEFC	SN					

VPWM INVERTER READY**CT6-60H(10:1)VT3-60H(20:1)**

Parts list

Part number	Description	Quantity
SA244479	SA 35TT638M831G1	1.000 ea
RA231363	RA 35TT638M831G1	1.000 ea
NS2512A01	INSULATOR, CONDUIT BOX X	1.000 ea
35CB3009	35 CB W/1.09 DIA. LEAD HOLE @ 6:	1.000 ea
36GS1000SP	GASKET-CONDUIT BOX, .06 THICK #SV-330 LE	1.000 ea
51XB1016A07	10-16 X 7/16 HXWSSLD SERTYB	2.000 ea
11XW1032G06	10-32 X .38, TAPTITE II, HEX WSHR SLTD U	1.000 ea
35EP3122A00	MASTER ODE,203 BRG,.683SH,#26 DRN,GRSR,F	1.000 ea
HW4500A01	1641B(ALEMITE)400 UNIV, GREASE FITT	1.000 ea
HW5100A03	WAVY WASHER (W1543-017)	1.000 ea
35EP3123F00	MASTER DE,205 BRG,.998SH,#26 DRN,GRSR	1.000 ea
HW4500A01	1641B(ALEMITE)400 UNIV, GREASE FITT	1.000 ea
XY1032A02	10-32 HEX NUT DIRECTIONAL SERRATION	4.000 ea
35FH4005A84SP	IEC FH W/GRSR, NO DIMPLES PRIMED	1.000 ea
51XW1032A06	10-32 X .38, TAPTITE II, HEX WSHR SLTD S	3.000 ea
35CB4521	35 LIPPED CB LID (GALV & PHOSPH)	1.000 ea
35GS1030	35 GS FOR CB LID - LEXIDE	1.000 ea
51XW0832A07	8-32 X .44, TAPTITE II, HEX WSHR SLTD SE	4.000 ea
HW2501D13	KEY, 3/16 SQ X 1.375	1.000 ea
HA7000A01	KEY RETAINER 7/8" DIA SHAFT	1.000 ea
85XU0407S04	4X1/4 U DRIVE PIN STAINLESS	2.000 ea
MJ1000A02	GREASE, POLYREX EM EXXON	0.050 lb
34FN3002B01	EXTERNAL FAN, PLASTIC, .637/.639 HUB W/	1.000 ea
MG1050Y01	CELEROL BALDOR GOLD *** NLA IN 5 GALLON	0.017 ga
HA3100A18	THRUBOLT 10-32 X 9.250	4.000 ea
LC0006	CONNECTION LABEL	1.000 ea
LB1624	COMBINED WARNING LABEL, ISO/ANSI PICTOGR	1.000 ea
MN416A01	TAG-INSTAL-MAINT no wire (2500bx)4/22	1.000 ea
NP3441L	ALUM SUPER-E VPWM INVERTER READY UL EEV	1.000 ea
36PA1000	PKG GRP, PRINT PK1016A06	1.000 ea
FE-0000001	ZRTG FE ASSEMBLY	1.000 ea

PE-0000001

ZRTG PE ASSEMBLY

1.000 ea

AC Induction Motor Performance Data

Record # 44974

Typical performance - not guaranteed values

Winding: 35WGM831-R002		Type: 3526M	Enclosure: TEFC	
Nameplate Data			575 V, 60 Hz: Single Voltage Motor	
Rated Output (HP)	2	Full Load Torque	2.98 LB-FT	
Volts	575	Start Configuration	direct on line	
Full Load Amps	2	Breakdown Torque	14.4 LB-FT	
R.P.M.	3490	Pull-up Torque	6.42 LB-FT	
Hz	60 Phase	Locked-rotor Torque	11.4 LB-FT	
NEMA Design Code	B KVA Code	Starting Current	21 A	
Service Factor (S.F.)	1.15	No-load Current	0.745 A	
NEMA Nom. Eff.	85.5 Power Factor	Line-line Res. @ 25°C	10.7 Ω	
Rating - Duty	40C AMB-CONT	Temp. Rise @ Rated Load	44°C	
S.F. Amps		Temp. Rise @ S.F. Load	52°C	
		Locked-rotor Power Factor	50	
		Rotor inertia	0.0719 LB-FT ²	

Load Characteristics 575 V, 60 Hz, 2 HP

% of Rated Load	25	50	75	100	125	150	S.F.
Power Factor	54	74	84	88	90	91	89
Efficiency	73.2	83.6	85.5	86.3	85.7	84.7	85.9
Speed	3572	3547	3521	3493	3463	3428	3475
Line amperes	0.895	1.19	1.55	1.96	2.4	2.89	2.22

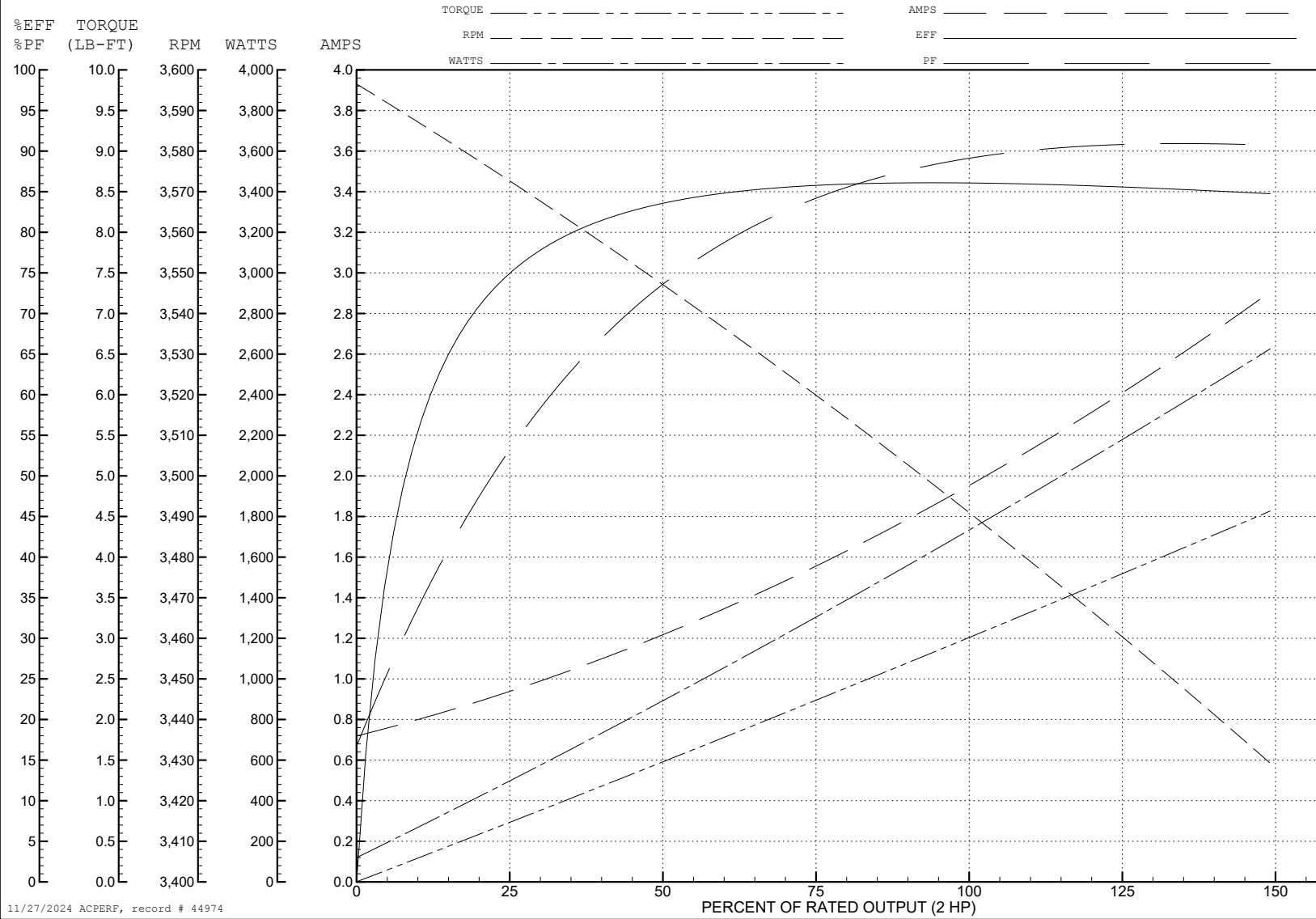
ABB Motors and Mechanical Inc.

WINDING # 35WGM831

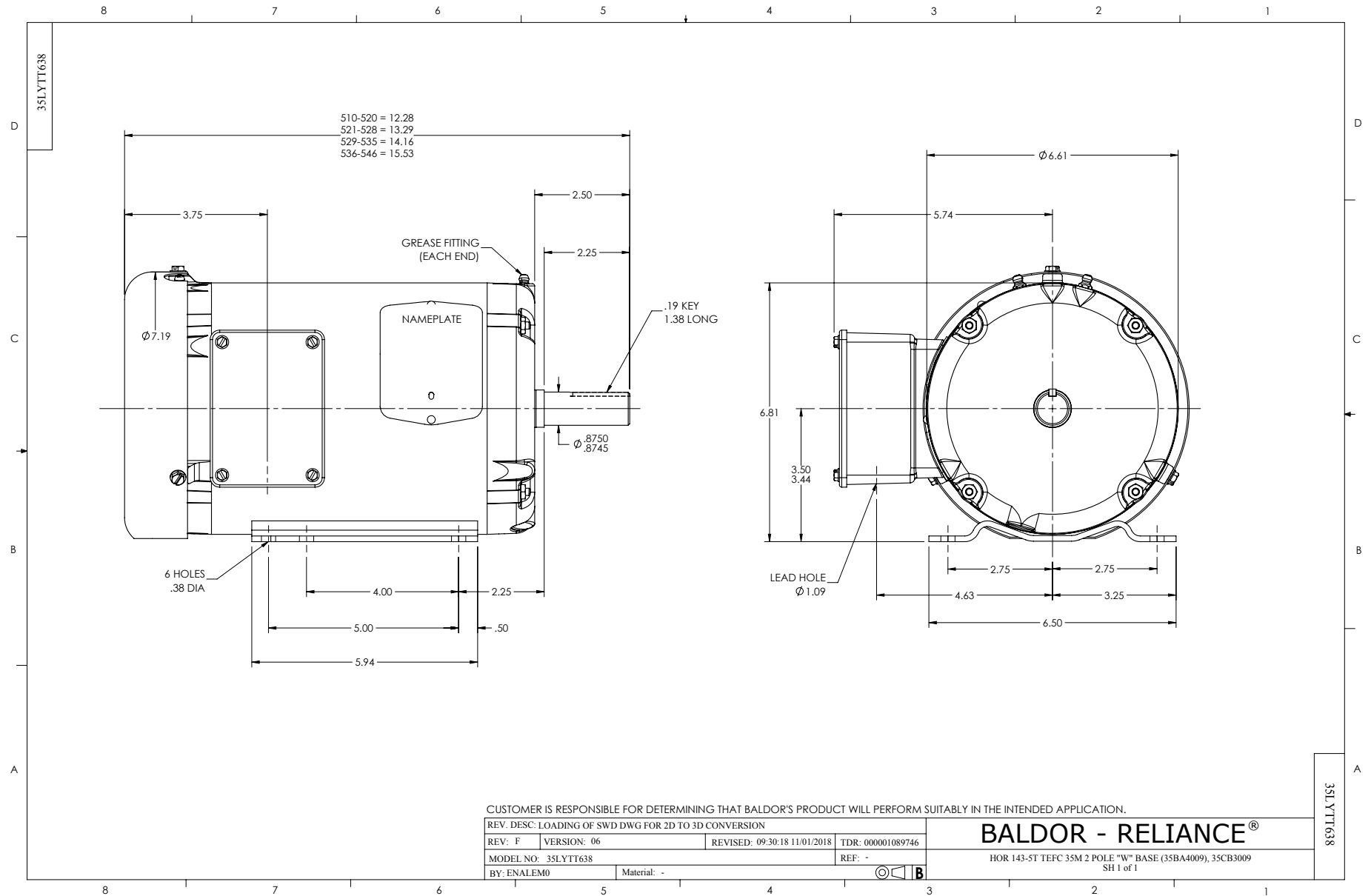
Typical performance - not guaranteed values.

2 HP 3 PH 60 HZ 3490 RPM 575 V 3526M

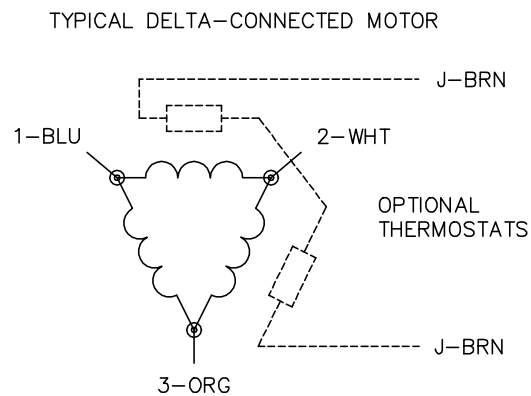
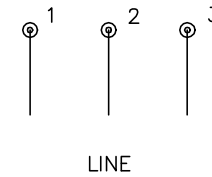
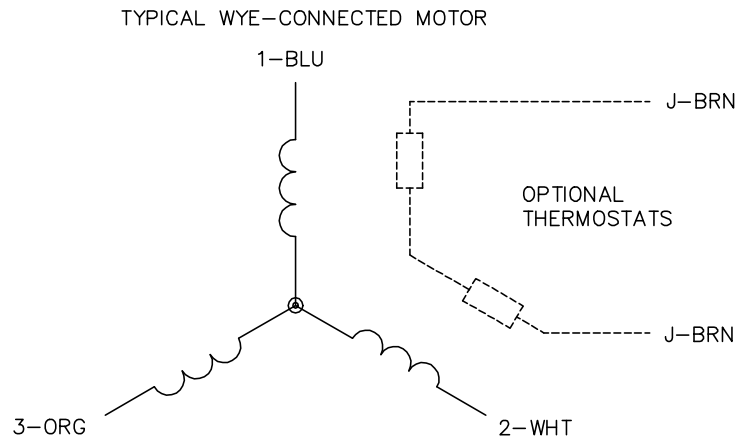
TORQUES (LB-FT): PO=14.4 PU=6.42 LR=11.4 LRA=21



11/27/2024 ACPERF, record # 44974



CD0006



NOTES:

1. THREE LEAD MOTOR MAY BE EITHER WYE CONNECTED OR DELTA CONNECTED.
2. INTERCHANGE ANY TWO LINE LEADS TO REVERSE ROTATION.
3. OPTIONAL THERMOSTATS ARE PROVIDED WHEN SPECIFIED.
4. ACTUAL NUMBER OF INTERNAL PARALLEL CIRCUITS MAY VARY.
5. LEAD COLORS ARE OPTIONAL. LEADS MUST BE NUMBERED AS SHOWN.

CD0006

REV. DESC: ADD CLASS CONN00000007		
REV. LTR: E	VERSION: 01	TDR: 000001099922
FILE: \AAA\00005\141	REVISED: 10:24:49 02/19/2019	BY: ENBRIRO
MTL: -	© □	

BALDOR - RELIANCE®

3PH, SV, 3 LEADS, WYE OR DELTA CONNECTED

SH 1 of 1