



Customer information packet

EM3611T-8

3HP, 1760RPM, 3PH, 60HZ, 182T, 3632M, TEFC, F1

Class - None

Division - Not Applicable

Specifications

Enclosure	TEFC
Frame	182T
Frame Material	Steel
Frequency	60.00 Hz
Haz Area Class and Group	None
Haz Area Division	Not Applicable
Motor Letter Type	Three Phase
Output @ Frequency	3.000 HP @ 60 HZ
Phase	3
Synchronous Speed @ Frequency	1800 RPM @ 60 HZ
Voltage @ Frequency	200.0 V @ 60 HZ
Agency Approvals	CSA EEV CURUSEEV NEMA PREMIUM NEMA_PREMIUM UR
Ambient Temperature	40 °C
Auxillary Box	No Auxillary Box
Auxillary Box Lead Termination	None
Base Indicator	Rigid
Bearing Grease Type	Polyrex EM (-20F +300F)
Blower	None
Current @ Voltage	9.700 A @ 200.0 V
Design Code	B
Drip Cover	No Drip Cover
Duty Rating	CONT
Efficiency @ 100% Load	89.5 %
Electrically Isolated Bearing	Not Electrically Isolated
Feedback Device	NO FEEDBACK
Front Face Code	Standard
Front Shaft Indicator	None
Heater Indicator	No Heater

Part detail

Revision	M
Type	AC
Mech. spec.	36G271
Base	
Status	PRD/A
Elec. spec.	36WGS635
Layout	36LYG271
Eff. date	06-03-2024
CD Diagram	CD0006
Poles	04
Leads	3#16
Proprietary	False
Created date	09-19-2012

High Voltage Full Load Amps	9.7 a
Insulation Class	F
Inverter Code	Inverter Ready
KVA Code	K
Lifting Lugs	No Lifting Lugs
Locked Bearing Indicator	No Locked Bearing
Motor Lead Exit	Ko Box
Motor Lead Quantity/Wire Size	3 @ 16 AWG
Motor Lead Termination	Flying Leads
Motor Standards	NEMA
Motor Type	3632M
Mounting Arrangement	F1
Number of Poles	4
Overall Length	16.55 IN
Power Factor	75
Product Family	General Purpose
Pulley End Bearing Type	Ball
Pulley Face Code	Standard
Pulley Shaft Indicator	Standard
Rodent Screen	None
RoHS Status	ROHS COMPLIANT
Service Factor	1.15
Shaft Diameter	1.125 IN
Shaft Extension Location	Pulley End
Shaft Ground Indicator	No Shaft Grounding
Shaft Rotation	Reversible
Shaft Slinger Indicator	No Slinger
Speed	1760 rpm
Speed Code	Single Speed
Starting Method	Direct on line
Thermal Device - Bearing	None
Thermal Device - Winding	None
Vibration Sensor Indicator	No Vibration Sensor
Winding Thermal 1	None

Winding Thermal 2

None

Nameplate

NP3441L									
CAT.NO.	EM3611T-8								
SPEC.	36G271S635G2								
HP	3								
VOLTS	200								
AMP	9.7								
RPM	1760								
FRAME	182T		HZ	60		PH	3		
SER.F.	1.15	CODE	K	DES	B	CL	F		
NEMA-NOM-EFF	89.5	PF	75						
RATING	40C AMB-CONT								
CC	010A								
DE	6206	ODE	6205						
ENCL	TEFC	SN							
VPWM INVERTER READY									
CT6-60H(10:1)VT3-60H(20:1)									

Parts list

Part number	Description	Quantity
SA251547	SA 36G271S635G2	1.000 ea
RA238386	RA 36G271S635G2	1.000 ea
36FN3000C01SP	EXFN, PLASTIC, 5.25 OD, .912 ID	1.000 ea
36CB3004	36 CB CASTING W/1.09 DIA LEAD HOLE @ 6:0	1.000 ea
36GS1000SP	GASKET-CONDUIT BOX, .06 THICK #SV-330 LE	1.000 ea
51XB1016A08	10-16X 1/2HXWSSLD SERTYB	2.000 ea
11XW1032G06	10-32 X .38, TAPTITE II, HEX WSHR SLTD U	1.000 ea
36EP3104A01	FREP MACH ASSEMBLY FOR ROUTING	1.000 ea
HW4500A01	1641B(ALEMITE)400 UNIV, GREASE FITT	1.000 ea
HW5100A05	WVY WSHR F/205 & 304 BRGS	1.000 ea
36EP3100A01SP	PUEP ASSEMBLY FOR ROUTING PURPOSES	1.000 ea
HW4500A01	1641B(ALEMITE)400 UNIV, GREASE FITT	1.000 ea
XY2520A12	1/4-20 HEX NUT, DIRECTIONAL SERRATIONS	4.000 ea
36FH4009A102	IEC FH GREASER PRIMED	1.000 ea
51XW1032A06	10-32 X .38, TAPTITE II, HEX WSHR SLTD S	3.000 ea
36CB4516	750LIPPED CB LID - GALVANNEAL	1.000 ea
37GS1001	GASKET, CONDUIT BOX LID, .06 THICK LEXID	1.000 ea
51XW0832A07	8-32 X .44, TAPTITE II, HEX WSHR SLTD SE	4.000 ea
HW2501E16	KEY, 1/4 SQ X 1.750	1.000 ea
HA7000A02	KEY RETAINER RING, 1 1/8 DIA, 1 3/8 DIA	1.000 ea
85XU0407S04	4X1/4 U DRIVE PIN STAINLESS	2.000 ea
MJ1000A02	GREASE, POLYREX EM EXXON	0.050 lb
51XB1214A16	12-14X1.00 HXWSSLD SERTYB	1.000 ea
HA3101A25	THRUBOLT 1/4-20 X 11.000 OHIO ROD	4.000 ea
MG1050Y01	CELEROL BALDOR GOLD *** NLA IN 5 GALLON	0.022 ga
LC0006	CONNECTION LABEL	1.000 ea
NP3441L	ALUM SUPER-E VPWM INVERTER READY UL EEV	1.000 ea
36PA1001	PKG GRP, PRINT PK1017A06	1.000 ea
MN416A01	TAG-INSTAL-MAINT no wire (2500bx)4/22	1.000 ea
LB1624	COMBINED WARNING LABEL, ISO/ANSI PICTOGR	1.000 ea

AC Induction Motor Performance Data

Record # 39800

Typical performance - not guaranteed values

Winding: 36WGS635-R001		Type: 3631M	Enclosure: TEFC	
Nameplate Data			200 V, 60 Hz: Single Voltage Motor	
Rated Output (HP)	3	Full Load Torque	8.86 LB-FT	
Volts	200	Start Configuration	direct on line	
Full Load Amps	9.7	Breakdown Torque	33.8 LB-FT	
R.P.M.	1760	Pull-up Torque	19.5 LB-FT	
Hz	60 Phase	Locked-rotor Torque	22.9 LB-FT	
NEMA Design Code	B KVA Code	Starting Current	74.4 A	
Service Factor (S.F.)	1.15	No-load Current	5.47 A	
NEMA Nom. Eff.	89.5 Power Factor	Line-line Res. @ 25°C	0.741 Ω	
Rating - Duty	40C AMB-CONT	Temp. Rise @ Rated Load	41°C	
S.F. Amps		Temp. Rise @ S.F. Load	49°C	
		Locked-rotor Power Factor	43	
		Rotor inertia	0.289 LB-FT ²	

Load Characteristics 200 V, 60 Hz, 3 HP

% of Rated Load	25	50	75	100	125	150	S.F.
Power Factor	33	54	67	75	79	82	77
Efficiency	80.3	87.6	89.4	89.5	88.7	87.6	89
Speed	1791	1782	1772	1762	1750	1738	1755
Line amperes	5.86	6.74	7.97	9.6	11.5	13.4	10.7

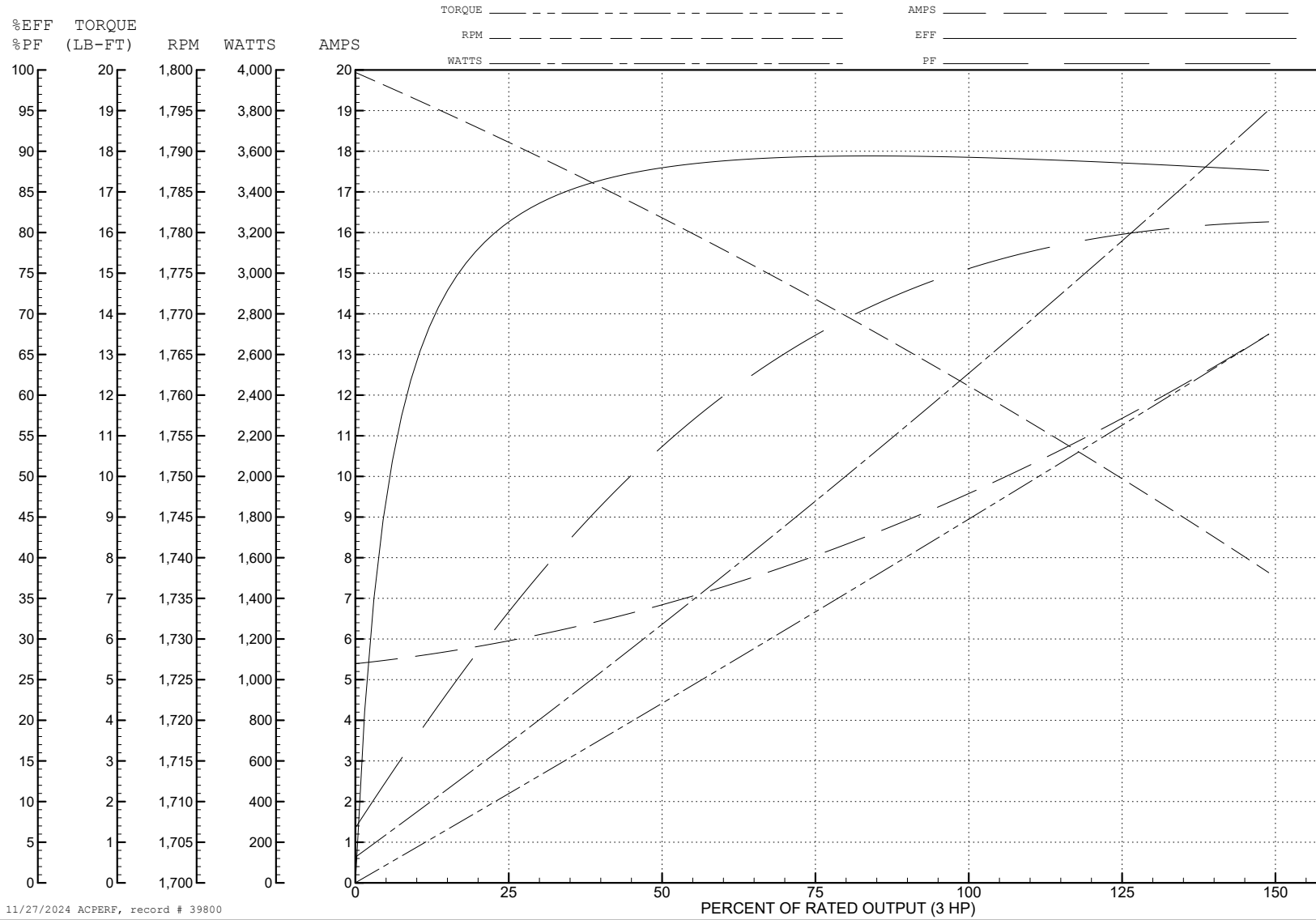
ABB Motors and Mechanical Inc.

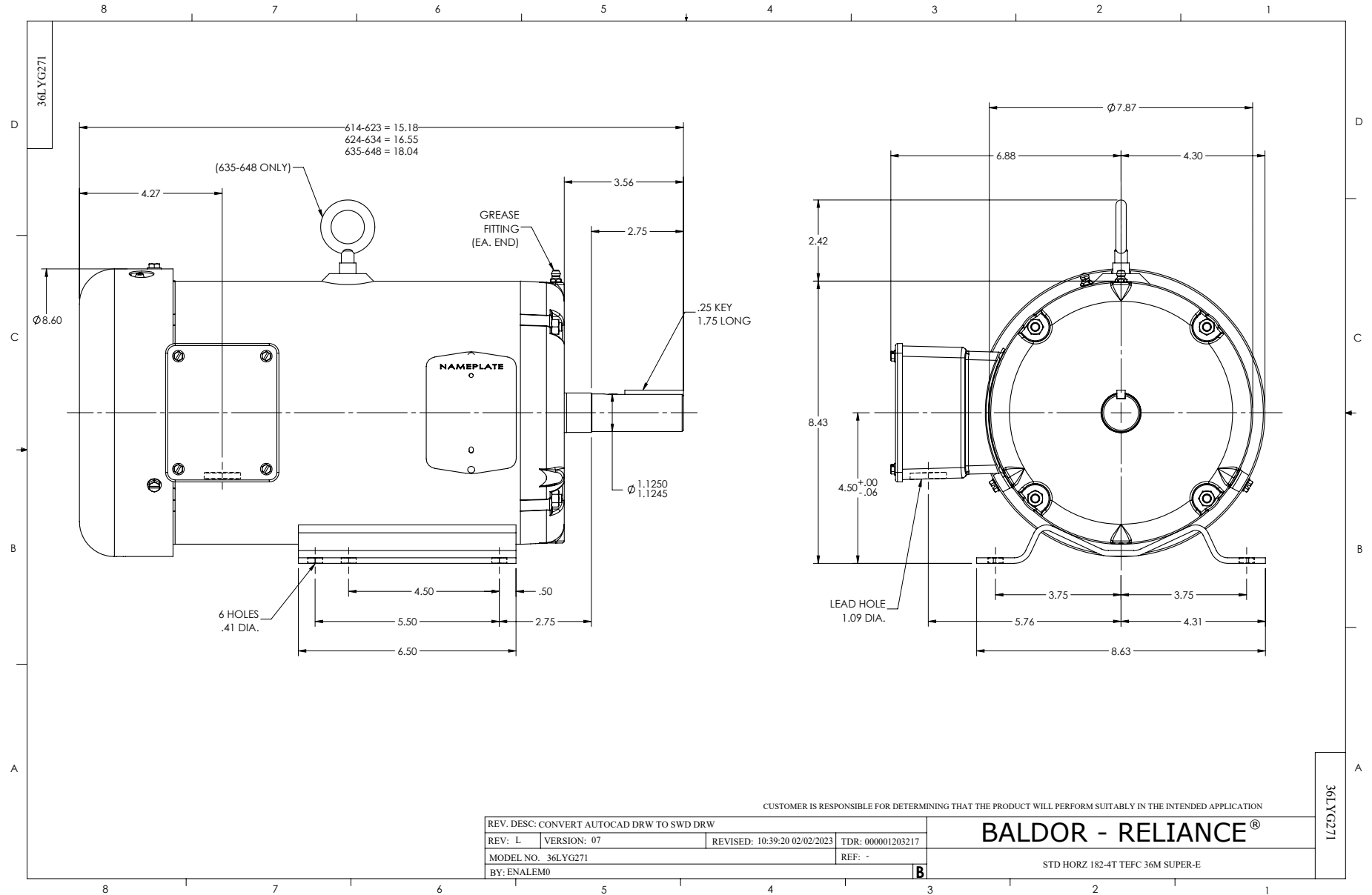
WINDING # 36WGS635

Typical performance - not guaranteed values.

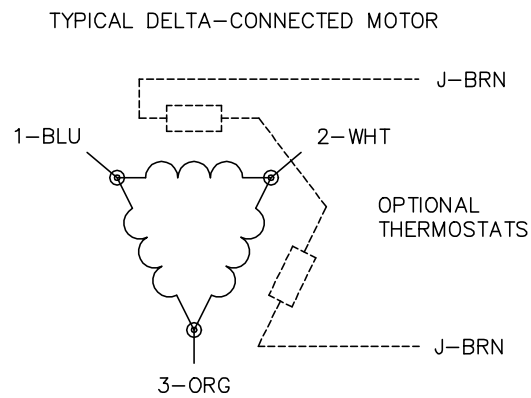
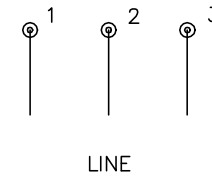
3 HP 3 PH 60 HZ 1760 RPM 200 V 3631M

TORQUES (LB-FT): PO=33.8 PU=19.5 LR=22.9 LRA=74.4





CD0006



NOTES:

1. THREE LEAD MOTOR MAY BE EITHER WYE CONNECTED OR DELTA CONNECTED.
2. INTERCHANGE ANY TWO LINE LEADS TO REVERSE ROTATION.
3. OPTIONAL THERMOSTATS ARE PROVIDED WHEN SPECIFIED.
4. ACTUAL NUMBER OF INTERNAL PARALLEL CIRCUITS MAY VARY.
5. LEAD COLORS ARE OPTIONAL. LEADS MUST BE NUMBERED AS SHOWN.

CD0006

REV. DESC: ADD CLASS CONN00000007		
REV. LTR: E	VERSION: 01	TDR: 000001099922
FILE: \AAA\00005\141	REVISED: 10:24:49 02/19/2019	BY: ENBRIRO
MTL: -	© □	

BALDOR - RELIANCE®

3PH, SV, 3 LEADS, WYE OR DELTA CONNECTED

SH 1 of 1