



Customer information packet

EM4102T-BG

20HP, 1180RPM, 3PH, 60HZ, 286T, 1054M, TEFC, F1

Class - None

Division - Not Applicable

Specifications

Enclosure	TEFC
Frame	286T
Frame Material	Iron
Frequency	60.00 Hz
Haz Area Class and Group	None
Haz Area Division	Not Applicable
Motor Letter Type	Three Phase
Output @ Frequency	20.000 HP @ 60 HZ
Phase	3
Synchronous Speed @ Frequency	1200 RPM @ 60 HZ
Voltage @ Frequency	460.0 V @ 60 HZ 230.0 V @ 60 HZ
Agency Approvals	CSA CSA EEV UR
Ambient Temperature	40 °C
Auxillary Box	No Auxillary Box
Auxillary Box Lead Termination	None
Base Indicator	Rigid
Bearing Grease Type	Polyrex EM (-20F +300F)
Blower	None
Current @ Voltage	54.000 A @ 230.0 V 56.000 A @ 208.0 V 27.000 A @ 460.0 V
Design Code	A
Drip Cover	No Drip Cover
Duty Rating	CONT
Efficiency @ 100% Load	91.7 %
Electrically Isolated Bearing	Not Electrically Isolated
Feedback Device	NO FEEDBACK
Front Face Code	Standard
Front Shaft Indicator	None

Part detail

Revision	X
Type	AC
Mech. spec.	10J470
Base	
Status	PRD/A
Elec. spec.	10WGY730
Layout	10LYJ470
Eff. date	06-27-2024
CD Diagram	CD0180
Poles	06
Leads	9#10
Proprietary	False
Created date	10-08-2013

Heater Indicator	No Heater
High Voltage Full Load Amps	27.0 a
Insulation Class	H
Inverter Code	Inverter Ready
KVA Code	H
Lifting Lugs	Standard Lifting Lugs
Locked Bearing Indicator	Locked Bearing
Motor Lead Exit	Ko Box
Motor Lead Quantity/Wire Size	9 @ 10 AWG
Motor Lead Termination	Flying Leads
Motor Standards	NEMA
Motor Type	1054M
Mounting Arrangement	F1
Number of Poles	6
Overall Length	27.76 IN
Power Factor	77
Product Family	General Purpose
Pulley End Bearing Type	Ball
Pulley Face Code	Standard
Pulley Shaft Indicator	Standard
Rodent Screen	None
Service Factor	1.15
Shaft Diameter	1.875 IN
Shaft Extension Location	Pulley End
Shaft Ground Indicator	Shaft Grounding
Shaft Rotation	Reversible
Shaft Slinger Indicator	Shaft Slinger
Speed	1180 rpm
Speed Code	Single Speed
Starting Method	Direct on line
Thermal Device - Bearing	NONE (OLD)
Thermal Device - Winding	None
Vibration Sensor Indicator	No Vibration Sensor
Winding Thermal 1	None

Winding Thermal 2

None

Nameplate

NP3443LUA

CAT.NO.	EM4102T-BG			CUST. P/N				ENCL	TEFC
SPEC.	10J470Y730G1	CC	010A	FRAME	286T		SER.NO.		
HP	20		CLASS	H		HZ	60		
R.P.M.	1180		PH.	3		DES.	A		
VOLTS	230/460			CODE	H		ODE BRG	6309	DE BRG 6311
AMPS	54/27								
RATING	40C AMB-CONT			NEMA NOM. EFF.	91.7		GREASE	POLYREX EM	
P.F.	77	SER.F.	1.15		CT6-60H(10:1)VT3-60H(20:1)				
USABLE AT	50HZ 20HP 190/380V 62/31A			SF1.0					
VOLTS	AMPS			MAX. SPACE HEATER TEMP.					

Parts list

Part number	Description	Quantity
SA270535	SA 10J470Y730G1	1.000 ea
RA257169	RA 10J470Y730G1	1.000 ea
09FN3001C02	EXTERNAL FAN, PLASTIC (COMES W/SCREW FRO	1.000 ea
10CB3000SP	KOBX, CAST W/2.00 LEAD HOLE	1.000 ea
09GS1000	GASKET-CONDUIT BOX, 1/16 THICK LEXIDE	1.000 ea
10XN3118K12	5/16-18 X .75 GRADE 5, ZINC PLATED	4.000 ea
HW1001A31	LOCKWASHER 5/16, ZINC PLT.591 OD, .319 I	4.000 ea
WD1000B25	GND LUG, BURNDY L125HP OR T&B L125HP-BB	1.000 ea
19XW3118G08	.31-18X.50,HEX WSHR HD,TAPTITE 2,GREEN	1.000 ea
10EP1106A53	FR ENDPLATE, MACH	1.000 ea
10XN3816K32	BOLT, 3/8-16X2 HH YZ(5)	4.000 ea
HW1001A38	LOCKWASHER 3/8, ZINC PLT .688 OD, .382 I	4.000 ea
HW4600B40	V-RING SLINGER 2.000 X 2.680 X .28 VITON	1.000 ea
HA4017A01	1/8 X 4 GREASE EXT (F/S)	1.000 ea
HW5100A11	W3917-042 WVY WSHR (WB)	1.000 ea
10XN2520K36	1/4-20 X 2.00 HX HD SCRW GRADE 5, ZINC P	2.000 ea
HW1001A25	LOCKWASHER 1/4, ZINC PLT .493 OD, .255 I	2.000 ea
10EP1105A113	PU ENDPLATE, MACH	1.000 ea
10XN3816K28	3/8-16 X 1.75 HEX HD CAP SCREW, GRADE 5	4.000 ea
HW1001A38	LOCKWASHER 3/8, ZINC PLT .688 OD, .382 I	4.000 ea
10XN3118K40	5/16-18 X 2.50" HEX HD, GRADE 5	4.000 ea
HW1001A31	LOCKWASHER 5/16, ZINC PLT.591 OD, .319 I	4.000 ea
10FH4000	310 FAN HOUSING STAMPED	1.000 ea
51XF2520A08	SCREW, HEX SER SLT HD, ZN 1/4-20 X .50 L	4.000 ea
10CB3500SP	CONDUIT BOX LID, CAST	1.000 ea
10GS1000SP	GASKET, CONDUIT BOX LID	1.000 ea
51XW2520A12	.25-20 X .75, TAPTITE II, HEX WSHR SLTD	4.000 ea
HW2501H28	KEY, 1/2 SQ X 3.250	1.000 ea
MN416A01	TAG-INSTAL-MAINT no wire (2500bx)4/22	1.000 ea
LB1508	LABEL "SHAFT GROUNDING BRUSH" 1.50 X .81	1.000 ea
HW4500A21	1618BALEMITE FITTING 825 UNIVERSAL	1.000 ea

HW4500A17	317400 ALEMITE GREASE RELIEF	1.000 ea
HA4066A01	PUSH IN T-DRAIN FITTING (BLACK)	1.000 ea
MJ1000A02	GREASE, POLYREX EM EXXON	0.130 lb
HW4500A03	GREASE FITTING, .125 NPT 1610(ALEMITE) 8	1.000 ea
HW4500A17	317400 ALEMITE GREASE RELIEF	1.000 ea
HA4066A01	PUSH IN T-DRAIN FITTING (BLACK)	1.000 ea
HW2500A25	WOODRUFF KEY USA #1008 #BLOW CARBON STEE	1.000 ea
MG1050Y01	CELEROL BALDOR GOLD *** NLA IN 5 GALLON	0.070 ga
85XU0407S04	4X1/4 U DRIVE PIN STAINLESS	4.000 ea
LB1624	COMBINED WARNING LABEL, ISO/ANSI PICTOGR	1.000 ea
LC0181	CONNECTION LABEL	1.000 ea
NP3443LUA	SS SUPER-E,CURUS-EEV,NEMA PREM, CC	1.000 ea
10PA1000	PACKAGING GROUP COMBINED PRINT PK1023A06	1.000 ea

AC Induction Motor Performance Data

Record # 53030

Typical performance - not guaranteed values

Winding: 10WGY730-R018		Type: 1054M		Enclosure: TEFC	
Nameplate Data			460 V, 60 Hz: High Voltage Connection		
Rated Output (HP)	20		Full Load Torque	90.1 LB-FT	
Volts	230/460		Start Configuration	direct on line	
Full Load Amps	54/27		Breakdown Torque	276 LB-FT	
R.P.M.	1180		Pull-up Torque	115 LB-FT	
Hz	60 Phase	3	Locked-rotor Torque	166 LB-FT	
NEMA Design Code	A KVA Code	H	Starting Current	165 A	
Service Factor (S.F.)	1.15		No-load Current	13.1 A	
NEMA Nom. Eff.	91.7 Power Factor	77	Line-line Res. @ 25°C	0.425 Ω	
Rating - Duty	40C AMB-CONT		Temp. Rise @ Rated Load	65°C	
S.F. Amps			Temp. Rise @ S.F. Load	79°C	
			Locked-rotor Power Factor	32	
			Rotor inertia	6.61 LB-FT ²	

Load Characteristics 460 V, 60 Hz, 20 HP

% of Rated Load	25	50	75	100	125	150	S.F.
Power Factor	39	60	71	77	79	80	78
Efficiency	86.6	91.1	91.9	91.7	90.9	89.8	91.2
Speed	1194.6	1189.5	1184.1	1178.3	1171.4	1163.8	1174
Line amperes	14.3	17.5	21.9	26.9	32.7	39.3	30.4

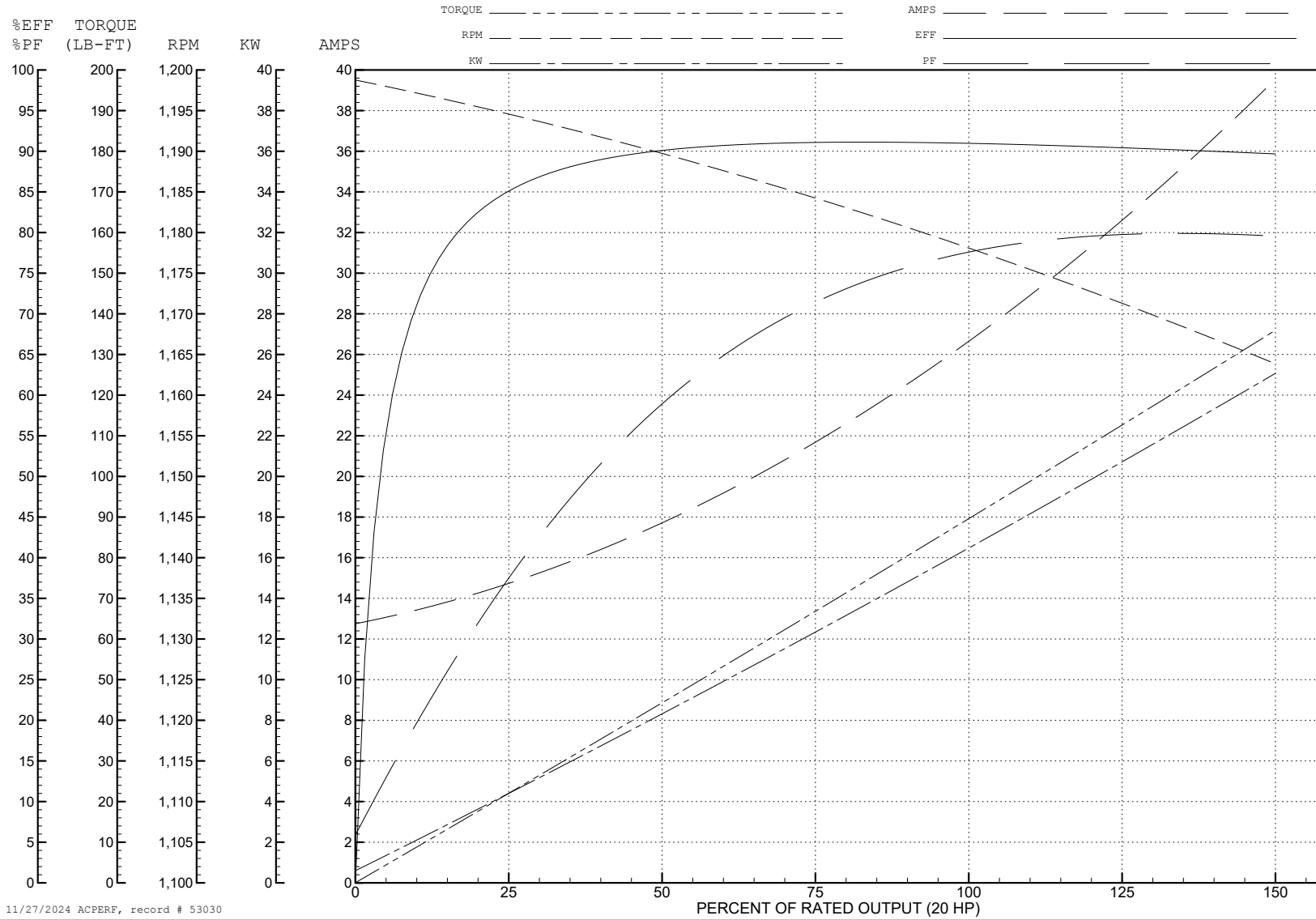
ABB Motors and Mechanical Inc.

WINDING # 10WGY730

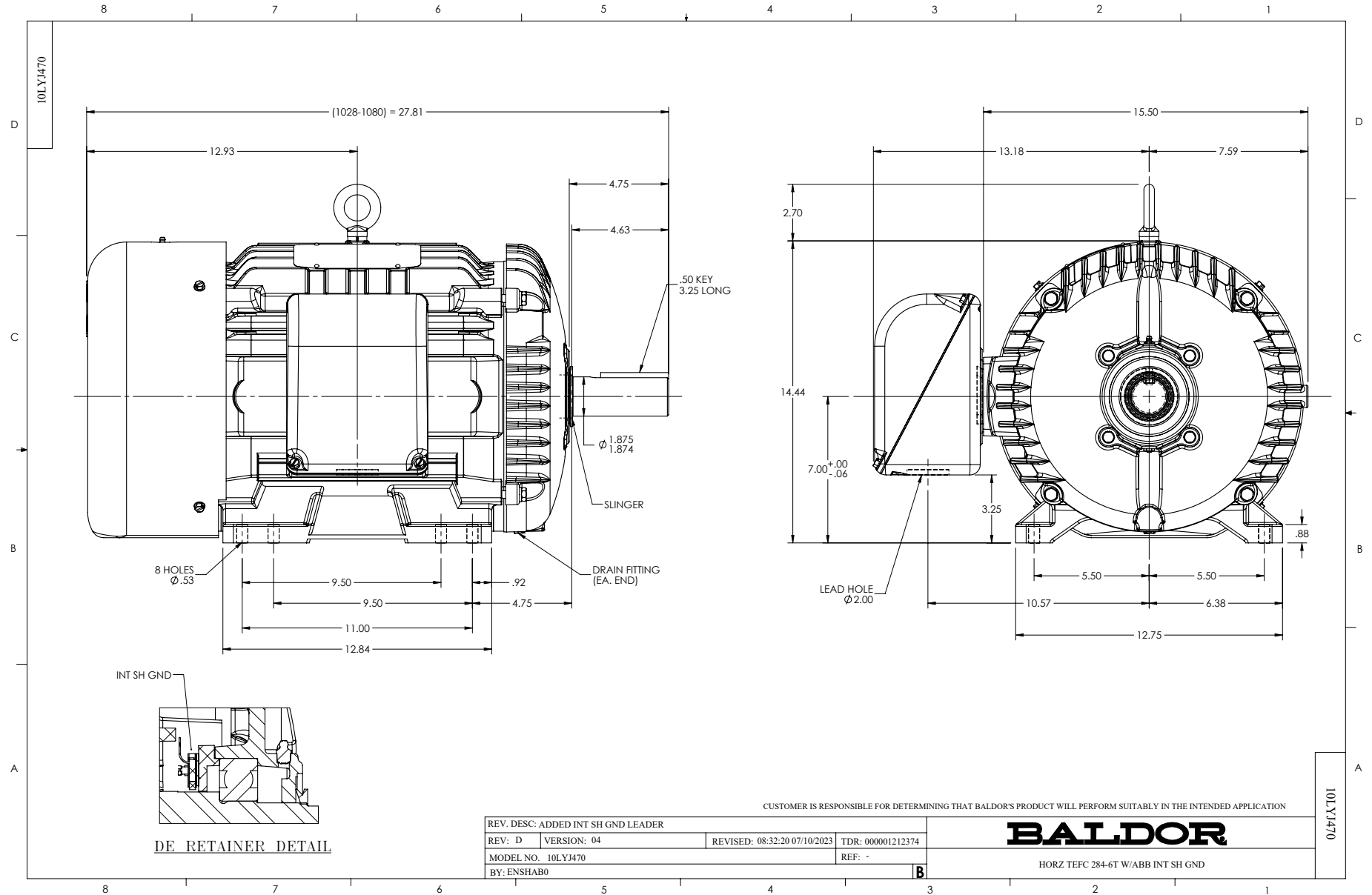
Typical performance - not guaranteed values.

20 HP 3 PH 60 HZ 1180 RPM 460 V 1054M

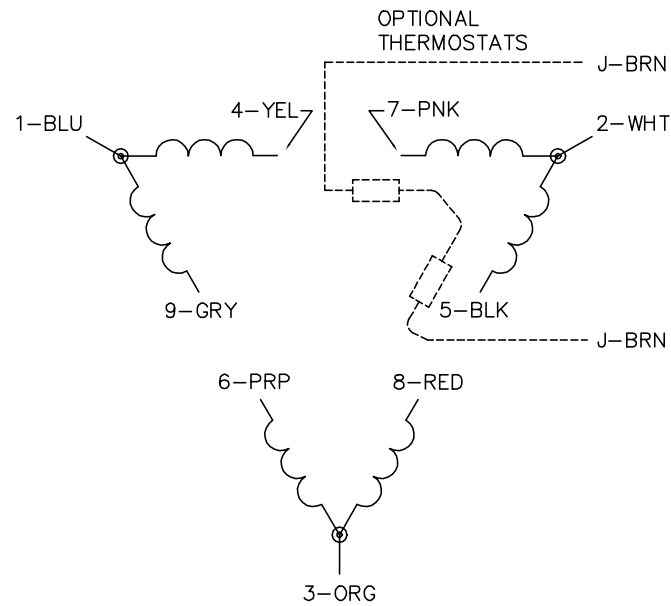
TORQUES (LB-FT): PO=276 PU=115 LR=166 LRA=165



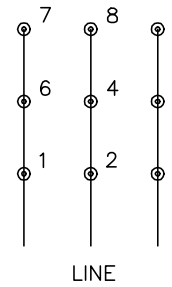
11/27/2024 ACPERF, record # 53030



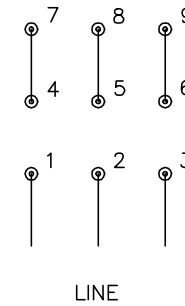
CD0180



LOW VOLTAGE
(2D)



HIGH VOLTAGE
(1D)



NOTES:

1. INTERCHANGE ANY TWO LINE LEADS TO REVERSE ROTATION.
2. OPTIONAL THERMOSTATS ARE PROVIDED WHEN SPECIFIED.
3. ACTUAL NUMBER OF INTERNAL PARALLEL CIRCUITS MAY BE A MULTIPLE OF THOSE SHOWN ABOVE.
4. LEAD COLORS ARE OPTIONAL. LEADS MUST ALWAYS BE NUMBERED AS SHOWN.

CD0180

REV. DESC: ADD CLASS CONN00000007		
REV. LTR: D	VERSION: 01	TDR: 000001099922
FILE: \AAA\00005\148	REVISED: 10: 25: 29 02/19/2019	BY: ENBRIRO
MTL: -	© □	

BALDOR - RELIANCE®

3PH, DV, 9 LEADS, DELTA CONNECTION

SH 1 of 1