



Customer information packet

EM4314T-G

60HP, 1780RPM, 3PH, 60HZ, 364T, A3658M, TEFC, F

Class - None

Division - Not Applicable

Specifications

Enclosure	TEFC
Frame	364T
Frame Material	Iron
Frequency	50.00 Hz 60.00 Hz
Haz Area Class and Group	None
Haz Area Division	Not Applicable
Motor Letter Type	Three Phase
Output @ Frequency	60.000 HP @ 60 HZ 50.000 HP @ 50 HZ
Phase	3
Synchronous Speed @ Frequency	1500 RPM @ 50 HZ
Voltage @ Frequency	190.0 V @ 50 HZ 230.0 V @ 60 HZ 380.0 V @ 50 HZ 460.0 V @ 60 HZ
Agency Approvals	CSA EEV CCSA US
Ambient Temperature	40 °C
Auxillary Box	No Auxillary Box
Base Indicator	Rigid
Bearing Grease Type	Polyrex EM (-20F +300F)
Current @ Voltage	139.000 A @ 230.0 V 152.000 A @ 208.0 V 67.500 A @ 380.0 V 69.700 A @ 460.0 V 135.000 A @ 190.0 V
Design Code	B
Drip Cover	No Drip Cover
Duty Rating	CONT
Efficiency @ 100% Load	95.0 %
Feedback Device	NO FEEDBACK

Part detail

Revision	J
Type	AC
Mech. spec.	
Base	
Status	PRD/A
Elec. spec.	A36WG4075
Layout	617428-021
Eff. date	07-08-2024
CD Diagram	416820-002
Poles	04
Leads	3#4,6#6
Proprietary	False
Created date	04-16-2020

Heater Indicator	No Heater
High Voltage Full Load Amps	67.5 a
Insulation Class	H
Inverter Code	Not Inverter
KVA Code	G
Lifting Lugs	Standard Lifting Lugs
Motor Lead Quantity/Wire Size	3 @ 4 AWG
Motor Standards	NEMA
Motor Type	A3658M
Mounting Arrangement	F1
Number of Poles	4
Overall Length	33.48 IN
Power Factor	84
Product Family	General Industrial
Pulley End Bearing Type	Ball
Pulley Face Code	Standard
Service Factor	1.15
Shaft Diameter	2.375 IN
Shaft Ground Indicator	Shaft Grounding
Shaft Rotation	Reversible
Shaft Slinger Indicator	No Slinger
Speed	1485 rpm 1780 rpm
Speed Code	Single Speed
Starting Method	Direct on line
Thermal Device - Bearing	None
Thermal Device - Winding	None

Nameplate

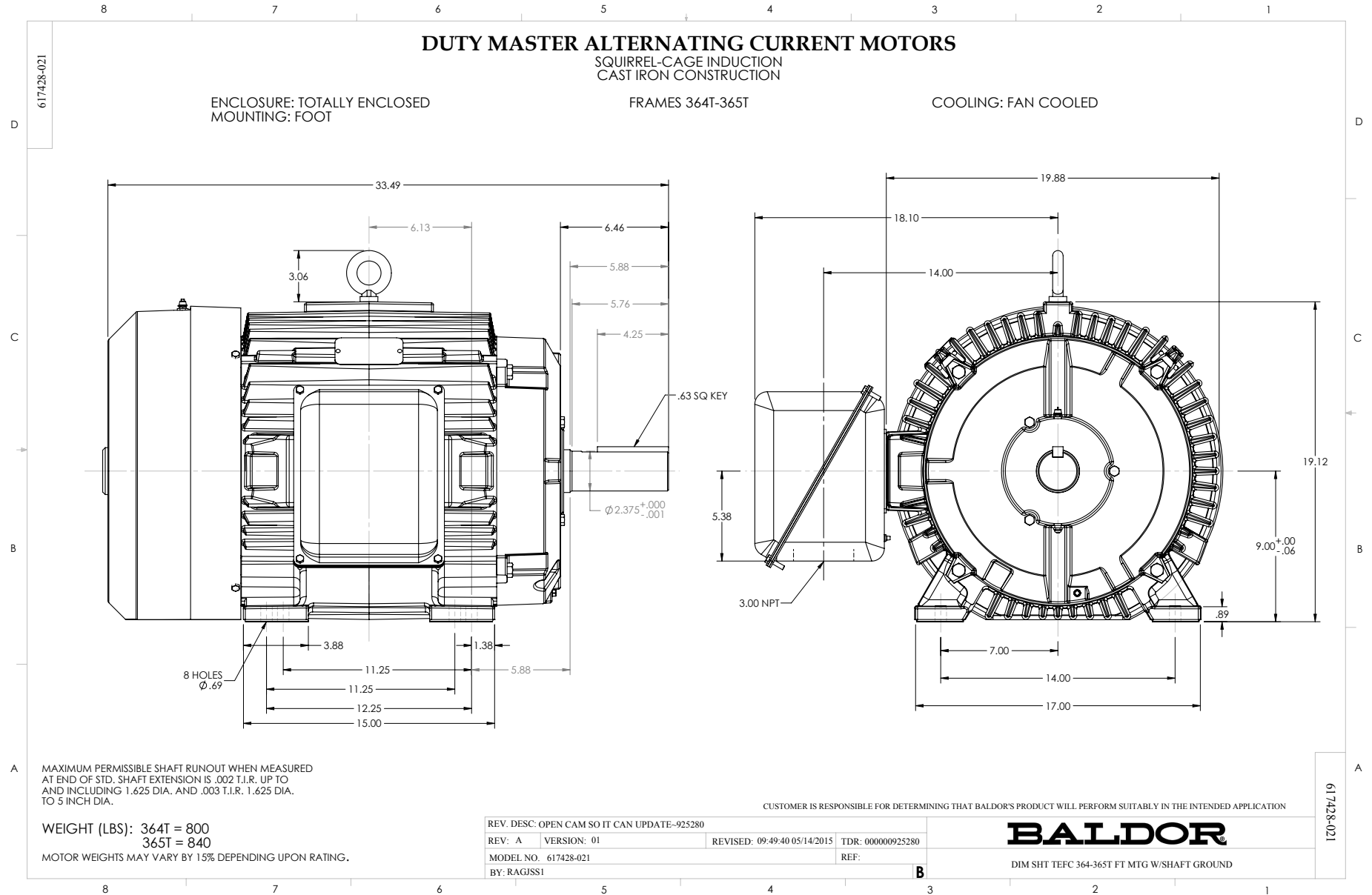
NP3979LUA

CAT #	EM4314T-G		SER			CC	010A						
SPEC	A36-0001-4075		RATING	40C AMB-CONT									
HZ	VOLTS		AMPS	RPM	HP	CODE	SF	DES	PF	NEMA NOM. EFF			
60	230/460		140/70	1780	60	G	1.15	B	84 %	95 %			
	-								%	%			
PH	3	CL	H	MAX CORR KVAR	15								
BRG	DE	6313	ODE	6313	ENCL	TEFC	FR	364T	54				
GREASE	POLYREX EM				MTR WT	815	LBS						
USABLE AT	50HZ 50HP 190/380V 138/69A				SF1.0								
INVERTER DUTY	CT	15-60	HZ	4:1	VT	3-60	HZ	20:1	CHP	60-90	HZ	1.5:1	1.0 SF VPWM
MAX RPM	2700												

Parts list

Part number	Description	Quantity
SA381800	SA A36-0001-4075	1.000 ea
RA371916	RA A36-0001-4075	1.000 ea
421948032	LABEL, MYLAR	1.000 ea
000692000VD	LABEL WARNING	1.000 ea
NP3979LUA	SS SUPER-E UR CSA-C-US-EEV NEMA PREM CC	1.000 ea
LB1459	AEGIS SGR LABEL "AEGISLBL-100"	1.000 ea
085922073B	BRKT 360 085922072WCC KB	1.000 ea
415072001B	CLAMP	1.000 ea
078559001A	+FANCV - 360	1.000 ea
034180012DA	KEY 1X4X1/4X1-1/2 L	1.000 ea
702676001C	FAN 360	1.000 ea
004824015A	GREASE POLYREX EM	0.540 lb
032018012DK	HHCS 1/2-13X1-1/2 PLTD. 032018012DR	4.000 ea
032018008AK	HHCS 1/4-20X1 PLATED	4.000 ea
032018024CK	HHCS 3/8-16X3 PLTD.	3.000 ea
415096002A	CPLG 1/8 HEX TYPE	1.000 ea
410700004F	WSHR	1.000 ea
035000001G	GREASE RELIEF FITTING, ALEMITE 317400	1.000 ea
034530052AB	P/NIP 1/8X6-1/2 Zinc	1.000 ea
034690001AB	1/8" NPT SQHDPLG	1.000 ea
034600001AA	BUSH 1/4TO1/8 BLACK	1.000 ea
034690001AB	1/8" NPT SQHDPLG	1.000 ea
034600001AA	BUSH 1/4TO1/8 BLACK	1.000 ea
415045002E	SLGR	1.000 ea
085922073B	BRKT 360 085922072WCC KB	1.000 ea
032018012DK	HHCS 1/2-13X1-1/2 PLTD. 032018012DR	4.000 ea
032018024CK	HHCS 3/8-16X3 PLTD.	3.000 ea
035000001G	GREASE RELIEF FITTING, ALEMITE 317400	1.000 ea
077176000L	C/BOX, PAINTED 440	1.000 ea
BP5327	SHAFT GRD BRUSH (SGR-74.7-3CFHAT2)	1.000 ea
077176001A	CBOXC, PAINTED 360-400	1.000 ea

043292000AJ	GASK 320-400	1.000 ea
402731001A	GASK 360-440	1.000 ea
418150003A	GREASE FITTING CAP	1.000 ea
032018005AK	HHCS 1/4-20X5/8 PLATED	4.000 ea
032018008CK	HHCS 3/8-16X1L PLATED	4.000 ea
035000001A	ALFTG 1/8" 1610-BL	1.000 ea
415000115H	T/LUG #2AWG-4/0AWG	1.000 ea
406099000A	PLUG - FAN COVER 320-440	1.000 ea
035000001A	ALFTG 1/8" 1610-BL	1.000 ea
418150003A	GREASE FITTING CAP	1.000 ea
MG1025Y17	WILKOFAS, 789.701, SUPER E PEARL GOLD	1.000 ga
032018005DL	1/2-13 X 5/8 SILICON BRONZE HHCS	1.000 ea
033775004EA	DRSCR #6-1/4 304 S.S.	2.000 ea
034180034HA	KEY 5/8X5/8X4-1/4 L	1.000 ea
PK5004A01	WOOD BASE ASSY. USE PK1061 OR PK1309 CTN	1.000 ea
HW1000A32	5/16 FL WASHER WIDE, ID=.344, OD=1.125	3.000 ea
032509020C	CARRIAGE BOLT - 360	3.000 ea
14PA1000	PACKAGING 314 GROUP COMBINED PRINT	1.000 ea



416820-002

A-C MOTOR
 CONNECTION DIAGRAM
 STANDARD 9 LEAD DELTA-CONNECTED



(N.P. 1575-B)

416820-002

REV. DESC: FONT CHANGE FOR PDF SEARCHABLE		
REV. LTR: A	VERSION: 01	TDR: 000001009382
FILE: \MGA\00000\661	REVISED: 02:46:19 02/13/2020	BY: MGHMTT
MTL: -	© □	

BALDOR - RELIANCE®

CONN DIAG - STANDARD 9 LEAD, DELTA-CONNECTED

SH 1 of 1