

**BALDOR • RELIANCE**

---

# Customer information packet

## EWDM4338T

30HP, 890RPM, 3PH, 60HZ, 364T, A36050M, TEFC, F

Class - None

Division - Not Applicable

## Specifications

Enclosure	TEFC
Frame	364T
Frame Material	Iron
Frequency	60.00 Hz
Haz Area Class and Group	None
Haz Area Division	Not Applicable
Motor Letter Type	Three Phase
Output @ Frequency	30.000 HP @ 60 HZ
Phase	3
Synchronous Speed @ Frequency	900 RPM @ 60 HZ
Voltage @ Frequency	230.0 V @ 60 HZ 460.0 V @ 60 HZ
Agency Approvals	CSA EEV CCSA US
Ambient Temperature	40 °C
Auxillary Box	No Auxillary Box
Base Indicator	Rigid
Bearing Grease Type	Polyrex EM (-20F +300F)
Current @ Voltage	80.000 A @ 230.0 V 40.000 A @ 460.0 V
Design Code	B
Drip Cover	No Drip Cover
Duty Rating	CONT
Efficiency @ 100% Load	91.7 %
Enclosure Modification	Severe Duty Features
Feedback Device	NO FEEDBACK
Heater Indicator	No Heater
High Voltage Full Load Amps	40.0 a
Insulation Class	F
Inverter Code	Inverter Ready
IP Rating	IP55
KVA Code	G

## Part detail

Revision	A
Type	AC
Mech. spec.	
Base	
Status	PRD/A
Elec. spec.	A36WG0999
Layout	617428-593
Eff. date	12-09-2021
CD Diagram	416820-002
Poles	08
Leads	3#6,6#8
Proprietary	False
Created date	08-20-2019

<b>Lifting Lugs</b>	Standard Lifting Lugs
<b>Motor Lead Quantity/Wire Size</b>	3 @ 6 AWG
<b>Motor Standards</b>	NEMA
<b>Motor Type</b>	A36050M
<b>Mounting Arrangement</b>	F1
<b>Number of Poles</b>	8
<b>Overall Length</b>	33.48 IN
<b>Power Factor</b>	77
<b>Product Family</b>	Washdown Features
<b>Pulley End Bearing Type</b>	Ball
<b>Pulley Face Code</b>	Standard
<b>Service Factor</b>	1.15
<b>Shaft Diameter</b>	2.374 IN
<b>Shaft Ground Indicator</b>	No Shaft Grounding
<b>Shaft Rotation</b>	Reversible
<b>Shaft Slinger Indicator</b>	Shaft Slinger
<b>Speed</b>	890 rpm
<b>Speed Code</b>	Single Speed
<b>Starting Method</b>	Direct on line
<b>Thermal Device - Bearing</b>	None
<b>Thermal Device - Winding</b>	None

**Nameplate**

---

NP2496L	
MOBIL POLYREX EM	

---

**NP2428L**

<b>SPEC NO.</b>	A36-7347-0999	<b>CAT.NO.</b>	EWDM4338T		<b>FRAME</b>	364T
<b>HP</b>	30	<b>VOLTS</b>	230/460	<b>PHASE</b>	3	<b>DESIGN</b> B <b>TYPE</b> P
<b>RPM</b>	890	<b>AMPS</b>	80/40	<b>HZ</b>	60	<b>AMB</b> 40 <b>SF</b> 1.15
<b>DRIVE END BEARING</b>	65BC03JGG30A	<b>DUTY</b>	CONT	<b>INSUL.CLASS</b>	F	
<b>OPP D.E. BEARING</b>	65BC03JGG30A	<b>ENCL</b>	TEFC	<b>CODE</b>	G	
<b>SER.NO.</b>		<b>POWER FACTOR</b>	77	<b>NEMA-NOM-EFFICIENCY</b>	91.7	
				<b>MAX CORR KVAR</b>	9	<b>GUARANTEED EFFICIENCY</b> 90.2
	IP55			<b>NEMA NOM/CSA QUOTED EFF</b>		
	10:1CT AND 10:1VT ON VPWM INVE			<b>RTER, 1.00SF</b>		<b>MOTOR WEIGHT</b>

## Parts list

Part number	Description	Quantity
SA373185	SA A36-7347-0999	1.000 ea
RA362969	RA A36-7347-0999	1.000 ea
421948032	LABEL, MYLAR	1.000 ea
NP2496L	MOTOR LUBE NAMEPLATE	1.000 ea
000613006PU	N/P (RELEASE QTY 10,000) UL CSA LABEL	1.000 ea
000692000CY	N/P	1.000 ea
000692000VD	LABEL WARNING	1.000 ea
NP2428L	WASHDOWN DUTY MOTOR, SS, CC, CSA-C	1.000 ea
085922073B	BRKT 360 085922072WCC KB	1.000 ea
415072001B	CLAMP	1.000 ea
078559075	FAN CVR E360 TEFC W/ NO LUBE ENTRY	1.000 ea
034180012DA	KEY 1X4X1/4X1-1/2 L	1.000 ea
412118006A	DRAIN	1.000 ea
078557001F	FAN KB 110/50 (60) 360	1.000 ea
004824015A	GREASE POLYREX EM	0.540 lb
032018012DN	HHCS 1/2-131-1/2 304S.S.	4.000 ea
032018008AN	HHCS 1/4-20X1 304 S.S.	4.000 ea
032018024CN	HHCS 3/8-16X3 304 S.S.	3.000 ea
415045002E	SLGR	1.000 ea
410700004F	WSHR	1.000 ea
423709011C	WASHER	3.000 ea
034690001AB	1/8" NPT SQHDPLG	1.000 ea
034690002AB	PPLG 1/4" PLTD.	1.000 ea
034690001AB	1/8" NPT SQHDPLG	1.000 ea
034690002AB	PPLG 1/4" PLTD.	1.000 ea
085922083BG	BRKT 360 085922072WCC	1.000 ea
032018012DN	HHCS 1/2-131-1/2 304S.S.	4.000 ea
032018024CN	HHCS 3/8-16X3 304 S.S.	3.000 ea
415045002E	SLGR	1.000 ea
415028001AL	SEAL	1.000 ea
412118006A	DRAIN	1.000 ea

423709011C	WASHER	3.000 ea
076708141	CAST IRON 3" LEAD OUTLET	1.000 ea
065776000C	GASKET,MAIN CBOX, 320-400	1.000 ea
076709000A	C/B Cover - 360	1.000 ea
067053000B	GASK 320-400	1.000 ea
032018006AN	HHCS1/4-20X3/4304S.S.-360	4.000 ea
032018010CN	HHCS 3/8-16X1-1/4 304S.	4.000 ea
415000115H	T/LUG #2AWG-4/0AWG	1.000 ea
406099000A	PLUG - FAN COVER 320-440	1.000 ea
032018005DL	1/2-13 X 5/8 SILICON BRONZE HHCS	1.000 ea
034000014AF	WSHR 3/8 304 S.S.	4.000 ea
004824003AJF	WILKO781.01 WHITE2 COATS - MG1025W01	0.250 ga
033775004EA	DRSCR #6-1/4 304 S.S.	4.000 ea
033775004EA	DRSCR #6-1/4 304 S.S.	2.000 ea
034180034HA	KEY 5/8X5/8X4-1/4 L	1.000 ea
14PA1000	PACKAGING 314 GROUP COMBINED PRINT	1.000 ea
HW1000A32	5/16 FL WASHER WIDE,ID=.344,OD=1.125	3.000 ea
032509020C	CARRIAGE BOLT - 360	3.000 ea









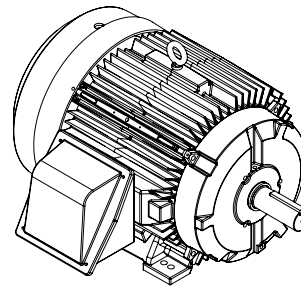
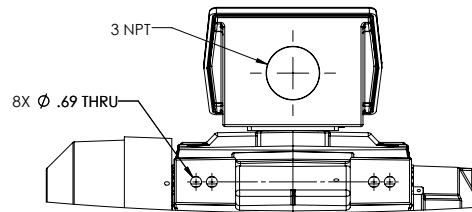
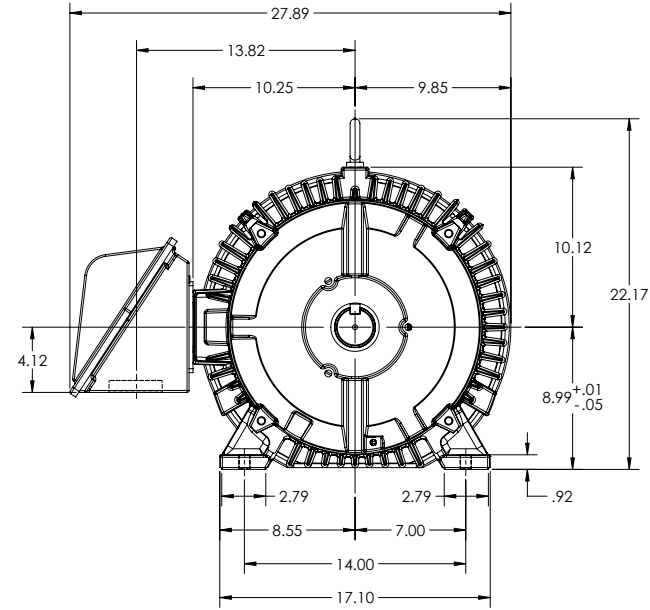
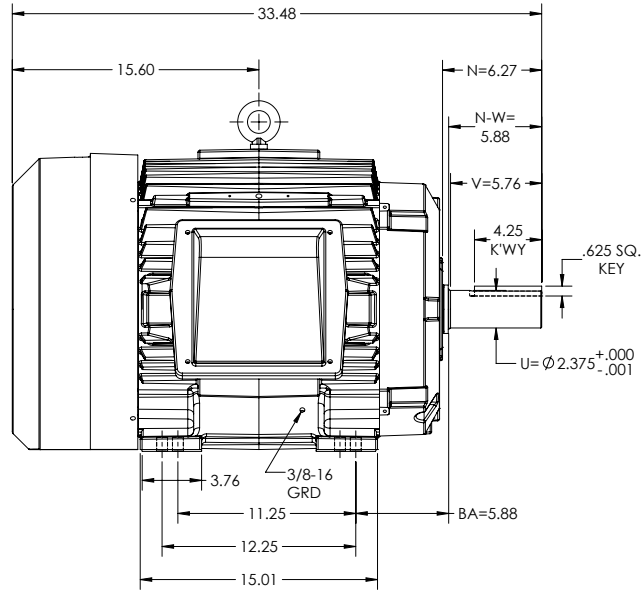
**DUTY MASTER ALTERNATING CURRENT MOTORS**  
SQUIRREL-CAGE INDUCTION

617428-593

ENCLOSURE: TOTALLY ENCLOSED  
MOUNTING: FOOT, F-1 SIDE

FRAME E365T  
INCLUDES E364T FRAME MOUNTING HOLES  
CAST IRON CONDUIT BOX

COOLING: FAN COOLED  
ENCLOSURE ENHANCEMENT: SEVERE DUTY



DIMENSIONS ARE IN INCHES

CUSTOMER IS RESPONSIBLE FOR DETERMINING THAT MOTOR PERFORMANCE IS SUITABLE IN THE APPLICATION.

IF MOUNTING CLEARANCE DETAILS ARE REQUIRED, CONSULT FACTORY.  
MAXIMUM PERMISSIBLE SHAFT RUNOUT WHEN MEASURED AT END OF  
STANDARD SHAFT EXTENSION IS .003" T.I.R. TO 5 INCH DIA.

REV. DESC: REMOVE SLINGER NOTE	VERSION: 01	REVISED: 08-44-20 03/26/2020	TDR: 000001135936
REV: A	BY: RAGSS1	MODEL NO. 617428-593	

**BALDOR**

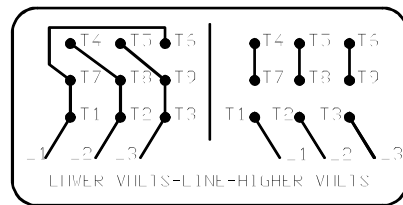
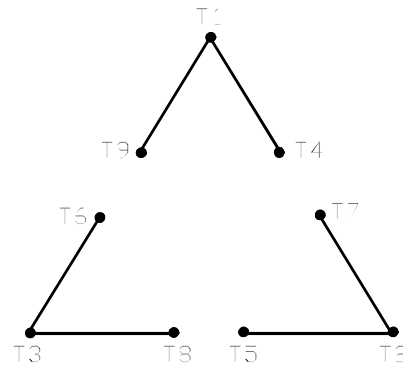
E3654T TEFC F1 FT SEVERE-

617428-593

617428-593

416820-002

A-C MOTOR  
 CONNECTION DIAGRAM  
 STANDARD 9 LEAD DELTA-CONNECTED



(N.P. 1575-B)

416820-002

REV. DESC: FONT CHANGE FOR PDF SEARCHABLE		
REV. LTR: A	VERSION: 01	TDR: 000001009382
FILE: \MGA\00000\661	REVISED: 02:46:19 02/13/2020	BY: MGHMTT
MTL: -	© □	

**BALDOR - RELIANCE®**

CONN DIAG - STANDARD 9 LEAD, DELTA-CONNECTED

SH 1 of 1