

**BALDOR • RELIANCE**

---

# Customer information packet

## FDEM4115T-5

72M 4P TEFC HOR 326T FARM DUTY SE

Class - None

Division - Not Applicable

## Specifications

Enclosure	TEFC
Frame	326T
Frame Material	Iron
Frequency	60.00 Hz
Haz Area Class and Group	None
Haz Area Division	Not Applicable
Motor Letter Type	Three Phase
Output @ Frequency	50.000 HP @ 60 HZ
Phase	3
Synchronous Speed @ Frequency	1800 RPM @ 60 HZ
Voltage @ Frequency	575.0 V @ 60 HZ
Agency Approvals	NEMA PREMIUM NEMA_PREMIUM UR CSA EEV
Ambient Temperature	40 °C
Auxillary Box	No Auxillary Box
Auxillary Box Lead Termination	None
Base Indicator	Rigid
Bearing Grease Type	Polyrex EM (-20F +300F)
Blower	None
Current @ Voltage	46.000 A @ 575.0 V
Design Code	A
Drip Cover	No Drip Cover
Duty Rating	CONT
Efficiency @ 100% Load	94.5 %
Electrically Isolated Bearing	Not Electrically Isolated
Feedback Device	NO FEEDBACK
Front Shaft Indicator	None
Heater Indicator	No Heater
High Voltage Full Load Amps	46.0 a
Insulation Class	F

## Part detail

Revision	F
Type	AC
Mech. spec.	12G994
Base	
Status	PRD/A
Elec. spec.	12WGY539
Layout	12LYG994
Eff. date	08-01-2023
CD Diagram	CD0006
Poles	04
Leads	3#8
Proprietary	False
Created date	06-14-2018

Inverter Code	Inverter Ready
KVA Code	H
Lifting Lugs	Standard Lifting Lugs
Locked Bearing Indicator	Locked Bearing
Motor Lead Quantity/Wire Size	3 @ 8 AWG
Motor Lead Termination	Flying Leads
Motor Standards	NEMA
Motor Type	1272M
Mounting Arrangement	F1
Number of Poles	4
Overall Length	30.28 IN
Power Factor	85
Product Family	General Purpose
Pulley End Bearing Type	Sealed Bearing
Pulley Face Code	Standard
Pulley Shaft Indicator	Standard
Rodent Screen	None
Service Factor	1.15
Shaft Diameter	2.125 IN
Shaft Ground Indicator	No Shaft Grounding
Shaft Rotation	Reversible
Shaft Slinger Indicator	Shaft Slinger
Speed	1775 rpm
Speed Code	Single Speed
Starting Method	Direct on line
Thermal Device - Bearing	None
Thermal Device - Winding	None
Vibration Sensor Indicator	No Vibration Sensor
Winding Thermal 1	None
Winding Thermal 2	None

**Nameplate**

<b>NP3126L</b>									
<b>CAT.NO.</b>	FDEM4115T-5								
<b>SPEC.</b>	12G994Y539G1								
<b>HP</b>	50								
<b>VOLTS</b>	575								
<b>AMP</b>	46								
<b>RPM</b>	1775								
<b>FRAME</b>	326T	<b>HZ</b>	60	<b>PH</b>	3				
<b>SER.F.</b>	1.15	<b>CODE</b>	H	<b>DES</b>	A	<b>CL</b>	F		
<b>NEMA-NOM-EFF</b>	94.5	<b>PF</b>	85						
<b>RATING</b>	40C AMB-CONT								
<b>CC</b>	010A	<b>USABLE AT 208V</b>					N/A		
<b>DE</b>	6312	<b>ODE</b>	6311						
<b>ENCL</b>	TEFC	<b>SN</b>							

## Parts list

Part number	Description	Quantity
SA357360	SA 12G994Y539G1	1.000 ea
RA346353	RA 12G994Y539G1	1.000 ea
09FN3001C03	EXTERNAL FAN, PLASTIC (COMES W/SCREW FRO	1.000 ea
10CB3000SP	KOBX, CAST W/2.00 LEAD HOLE	1.000 ea
09GS1000	GASKET-CONDUIT BOX, 1/16 THICK LEXIDE	1.000 ea
10XN3118K12	5/16-18 X .75 GRADE 5, ZINC PLATED	4.000 ea
HW1001A31	LOCKWASHER 5/16, ZINC PLT.591 OD, .319 I	4.000 ea
WD1000B25	GND LUG, BURNDY L125HP OR T&B L125HP-BB	1.000 ea
19XW3118G08	.31-18X.50,HEX WSHR HD,TAPTITE 2,GREEN	1.000 ea
12EP1107A156	FREP W/"O" DRN & NO GRSR,RLF,DRN,RET HLS	1.000 ea
HA3400A13	STUD, 1/2-13 X 7" WELKER	4.000 ea
HW1001A50	LOCKWASHER 1/2, ZINC PLT,.879 OD, .509 I	4.000 ea
HW5100A13	W4627-047 WVY WSHR	1.000 ea
10XN3118K40	5/16-18 X 2.50" HEX HD, GRADE 5	4.000 ea
HW1001A31	LOCKWASHER 5/16, ZINC PLT.591 OD, .319 I	4.000 ea
12EP1106A85	PUEP, MACH FOR 3.00 LIP SEAL	1.000 ea
10XN5013K28	1/2-13 X 1.75 HEX HEAD MACH SCREW,GRAD	4.000 ea
HW1001A50	LOCKWASHER 1/2, ZINC PLT,.879 OD, .509 I	4.000 ea
HW4600B37	SEAL 2.250 X 3.000 X .375 SINGLE LIP	1.000 ea
HW4600B41	V-RING SLINGER 2.125 X 2.880 X 0.280	1.000 ea
12FH1002SP	FAN COVER, CAST	1.000 ea
HW1001A50	LOCKWASHER 1/2, ZINC PLT,.879 OD, .509 I	4.000 ea
XY5013A12	NUT,1/2-13,HEX,STEEL,ZINCPLATED	4.000 ea
WD4100A02	DP-1000 HEYCO PLUG OR 62MP1000 MICRO PL	1.000 ea
10CB3500SP	CONDUIT BOX LID, CAST	1.000 ea
10GS1000SP	GASKET, CONDUIT BOX LID	1.000 ea
51XW2520A12	.25-20 X .75, TAPTITE II, HEX WSHR SLTD	4.000 ea
HW2501H33	KEY, 1/2 SQ X 3.875	1.000 ea
HA4066A01	PUSH IN T-DRAIN FITTING (BLACK)	1.000 ea
MJ1000A02	GREASE, POLYREX EM EXXON	0.200 lb
HA4066A01	PUSH IN T-DRAIN FITTING (BLACK)	1.000 ea

HW2500A25	WOODRUFF KEY USA #1008 #BLOW CARBON STEE	1.000 ea
MG1025C02	WILKOFASG, 787.105, TAN	0.080 ga
85XU0407S04	4X1/4 U DRIVE PIN STAINLESS	2.000 ea
LB1624	COMBINED WARNING LABEL, ISO/ANSI PICTOGR	1.000 ea
LC0006	CONNECTION LABEL	1.000 ea
NP3126L	ALUM FARM DUTY SUPER-E UL CSA-EEV PREM	1.000 ea
12PA1000	PACKAGING GROUP PRINT PK1024A07	1.000 ea
MN416A01	TAG-INSTAL-MAINT no wire (2500bx)4/22	1.000 ea

**AC Induction Motor Performance Data**

Record # 36803

Typical performance - not guaranteed values

Winding: 12WGY539-R001		Type: 1272M		Enclosure: TEFC	
<b>Nameplate Data</b>			<b>575 V, 60 Hz: Single Voltage Motor</b>		
Rated Output (HP)	50	Full Load Torque	147.44 LB-FT		
Volts	575	Start Configuration	direct on line		
Full Load Amps	46	Breakdown Torque	475.4 LB-FT		
R.P.M.	1775	Pull-up Torque	190 LB-FT		
Hz	60 Phase	3	Locked-rotor Torque	205.9 LB-FT	
NEMA Design Code	A KVA Code	H	Starting Current	276.6 A	
Service Factor (S.F.)	1.15	No-load Current	18.41 A		
NEMA Nom. Eff.	94.5 Power Factor	85	Line-line Res. @ 25°C	0.159 Ω	
Rating - Duty	40C AMB-CONT	Temp. Rise @ Rated Load	63°C		
S.F. Amps		Temp. Rise @ S.F. Load	76°C		
		Locked-rotor Power Factor	26.4		
		Rotor inertia	9.59 lb-ft <sup>2</sup>		

**Load Characteristics 575 V, 60 Hz, 50 HP**

% of Rated Load	25	50	75	100	125	150	S.F.
Power Factor	49	72	81	86	88	88	86
Efficiency	88.8	92.8	93.9	94.2	94.1	93.8	94.7
Speed	1796	1791	1787	1775	1774	1773	1774
Line amperes	21.48	28.21	36.86	46.49	56.88	67.83	52.8

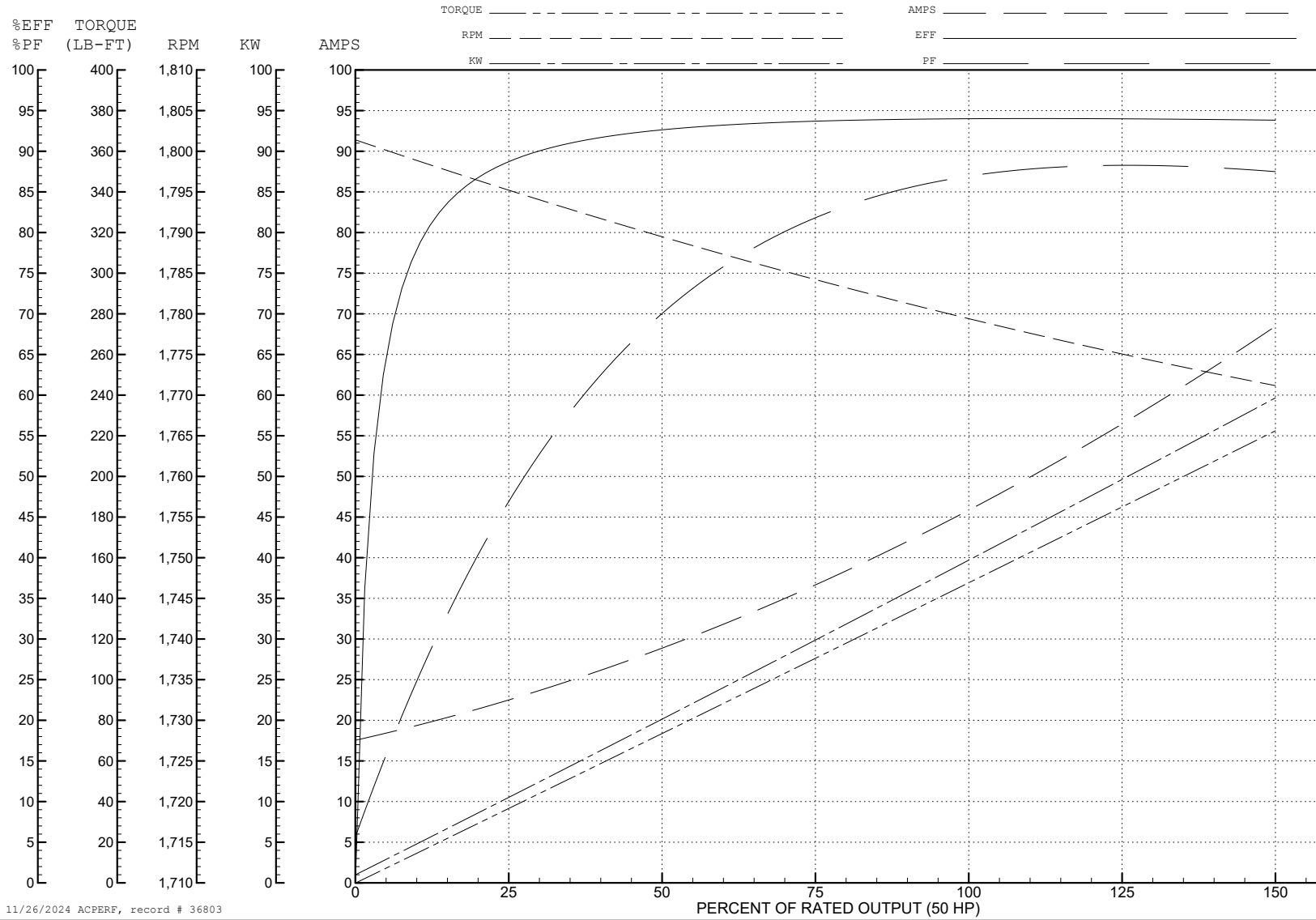
ABB Motors and Mechanical Inc.

WINDING # 12WGY539

Typical performance - not guaranteed values.

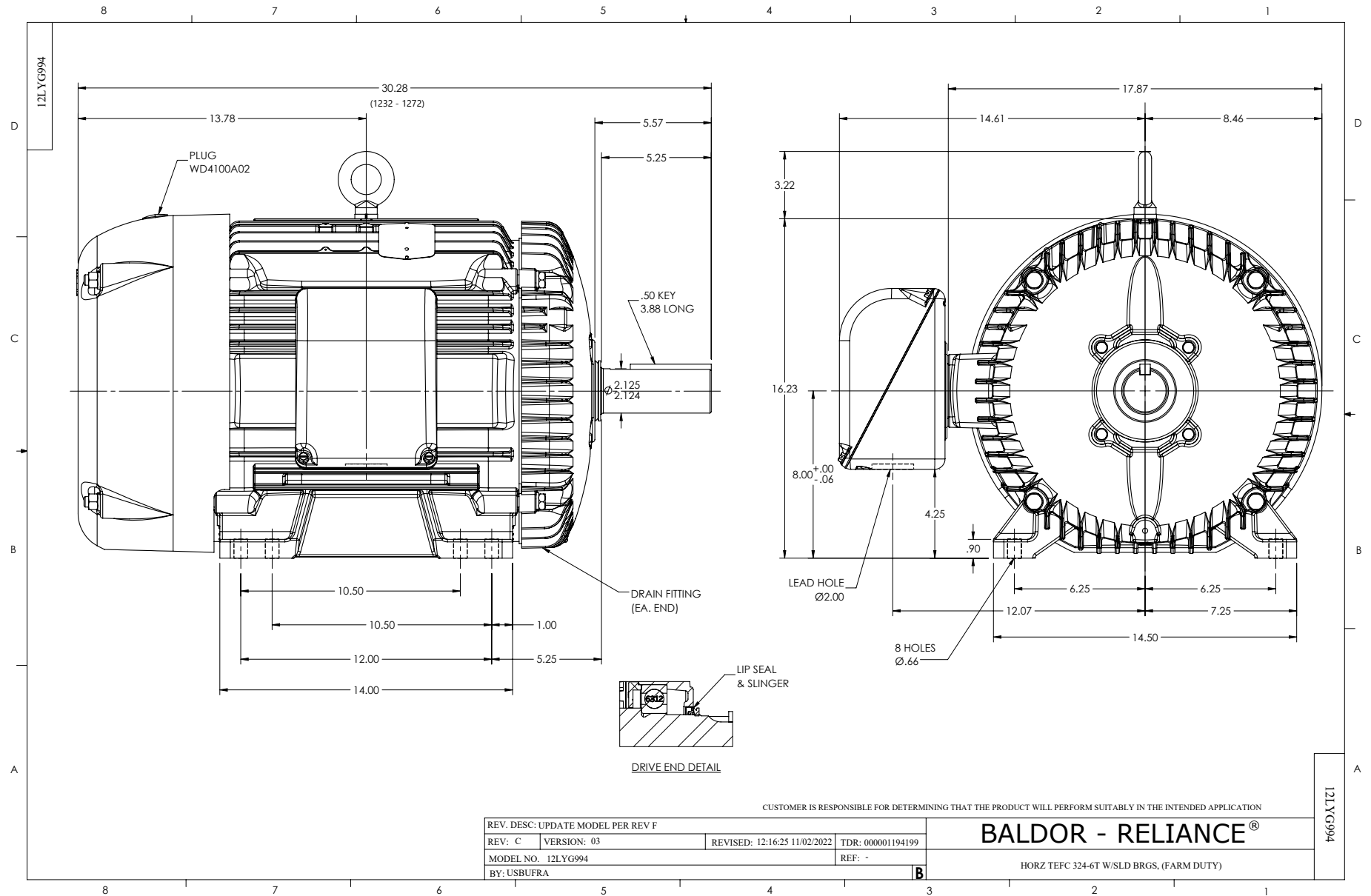
50 HP 3 PH 60 HZ 1775 RPM 575 V 1272M

TORQUES (LB-FT): PO=475.4 PU=190 LR=205.9 LRA=276.6



11/26/2024 ACPERF, record # 36803





CD0006



NOTES:

1. THREE LEAD MOTOR MAY BE EITHER WYE CONNECTED OR DELTA CONNECTED.
2. INTERCHANGE ANY TWO LINE LEADS TO REVERSE ROTATION.
3. OPTIONAL THERMOSTATS ARE PROVIDED WHEN SPECIFIED.
4. ACTUAL NUMBER OF INTERNAL PARALLEL CIRCUITS MAY VARY.
5. LEAD COLORS ARE OPTIONAL. LEADS MUST BE NUMBERED AS SHOWN.

CD0006

REV. DESC: ADD CLASS CONN00000007		
REV. LTR: E	VERSION: 01	TDR: 000001099922
FILE: \AAA\00005\141	REVISED: 10:24:49 02/19/2019	BY: ENBRIRO
MTL: -	© □	

**BALDOR - RELIANCE®**

3PH, SV, 3 LEADS, WYE OR DELTA CONNECTED

SH 1 of 1