

BALDOR • RELIANCE

Customer information packet

HIC274A

.33HP, 1725RPM, 1PH, 60HZ, 48Z, 3414C, TEAO, F1

Class - None

Division - Not Applicable

Specifications

Enclosure	TEAO
Frame	48Z
Frame Material	Steel
Frequency	60.00 Hz
Haz Area Class and Group	None
Haz Area Division	Not Applicable
Motor Letter Type	Oil Capacitor Start and Run
Output @ Frequency	.330 HP @ 60 HZ
Phase	1
Synchronous Speed @ Frequency	1800 RPM @ 60 HZ
Voltage @ Frequency	115.0 V @ 60 HZ 230.0 V @ 60 HZ
Agency Approvals	CSA UR
Ambient Temperature	40 °C
Auxillary Box	No Auxillary Box
Auxillary Box Lead Termination	None
Base Indicator	No Mounting
Bearing Grease Type	Polyrex EM (-20F +300F)
Blower	None
Current @ Voltage	2.200 A @ 230.0 V 4.400 A @ 115.0 V
Drip Cover	No Drip Cover
Duty Rating	CONT
Efficiency @ 100% Load	66.0 %
Electrically Isolated Bearing	Not Electrically Isolated
Feedback Device	NO FEEDBACK
Front Face Code	Terminal Panel
Front Shaft Indicator	None
Heater Indicator	No Heater
High Voltage Full Load Amps	2.2 a
Insulation Class	F

Part detail

Revision	K
Type	AC
Mech. spec.	34M259
Base	
Status	PRD/A
Elec. spec.	34WGR069
Layout	34LYM259
Eff. date	09-18-2023
CD Diagram	CD0804A01
Poles	04
Leads	9#18
Proprietary	False
Created date	06-03-2013

Inverter Code	Not Inverter
KVA Code	H
Lifting Lugs	No Lifting Lugs
Locked Bearing Indicator	No Locked Bearing
Motor Lead Exit	Terminal Panel Or Lead Hole
Motor Lead Quantity/Wire Size	9 @ 18 AWG
Motor Lead Termination	None
Motor Standards	NEMA
Motor Type	3414C
Mounting Arrangement	F1
Number of Poles	4
Overall Length	10.09 IN
Power Factor	75
Product Family	General Purpose
Pulley End Bearing Type	Ball
Pulley Face Code	Standard
Pulley Shaft Indicator	Multiple Flats
Rodent Screen	None
RoHS Status	ROHS COMPLIANT
Service Factor	1.00
Shaft Diameter	0.500 IN
Shaft Extension Location	Pulley End
Shaft Ground Indicator	No Shaft Grounding
Shaft Rotation	Reversible: Connected Standard
Shaft Slinger Indicator	Shaft Slinger
Speed	1725 rpm
Speed Code	Single Speed
Starting Method	Direct on line
Thermal Device - Bearing	None
Thermal Device - Winding	None
Vibration Sensor Indicator	No Vibration Sensor
Winding Thermal 1	Automatic Thermal Overload
Winding Thermal 1 Location	WG
Winding Thermal 2	None

Nameplate

NP1257L									
CAT.NO.	HIC274A								
SPEC.	34M259R069G1								
HP	.33								
VOLTS	115/230								
AMP	4.4/2.2								
RPM	1725								
FRAME	48Z		HZ	60		PH	1		
SER.F.	1.00	CODE	H	DES	-	CL	F		
NEMA-NOM-EFF	66	PF	75						
RATING	40C AMB-CONT								
CC									
DE	6203	ODE	6203						
ENCL	TEAO	SN							

Parts list

Part number	Description	Quantity
SA264079	SA 34M259R069G1	1.000 ea
RA250793	RA 34M259R069G1	1.000 ea
OC3020F12SP	CAPACITORS 20 MFD 370 VAC	1.000 ea
11XW0832G06	#8-32 X 3/8, TAPTITE II, HEX WSHR SLTD	1.000 ea
51XW0832A07	8-32 X .44, TAPTITE II, HEX WSHR SLTD SE	3.000 ea
33CB4800A01	CAPACITOR COVER, STAMPED	1.000 ea
35GS3001A01	GASKET, CAPACITOR COVER	1.000 ea
34GS5003	FOAM SLEEVE, ID = 2 1/16" X 3 3/8"	1.000 ea
51XB1016A05	10-16X5/16HX WA SL SR TYB (F/S)	2.000 ea
WD4100A42	CAPLUG BPF-3/4, FOR 1/2" NPT OR 3/4 HOLE	1.000 ea
34EP3204D01	SPL FR ENDPLATE 34L - ENCL	1.000 ea
HW5100A03	WAVY WASHER (W1543-017)	1.000 ea
34EP3109D01	PU ENDPLATE, MACH ENCL, 5.125 B.C.	1.000 ea
XY0832A02	8-32 HEX NUT	8.000 ea
34CB4501SP	TERMINAL BOX LID, STAMPED X (PLATED)	1.000 ea
34GS1005	GASKET, TERM PLATE LID	1.000 ea
51XW0832A07	8-32 X .44, TAPTITE II, HEX WSHR SLTD SE	2.000 ea
HA1005A05SP	SLINGER, OD 1.50, ID .659, 203 BRG	1.000 ea
MG1050G01	CELEROL MEDIUM CHARCOAL METALLIC GRAY	0.014 ga
85XU0407S04	4X1/4 U DRIVE PIN STAINLESS	2.000 ea
ML14-8C18	18 AWG, 8,RED	31.000 in
WD1000A16	2-520128-2 AMP FLAG TERMINAL(4M/RL)	2.000 ea
WD1000A27	2-520263-4 AMP TRM 3.4/RL	1.000 ea
WD1000A28	SPADE TERM,18-22AWG.INSUL.(3./RL) AMP# 2	1.000 ea
WD1000A27	2-520263-4 AMP TRM 3.4/RL	1.000 ea
WD1000A28	SPADE TERM,18-22AWG.INSUL.(3./RL) AMP# 2	1.000 ea
ML14-6L18	18 AWG, 6,PURPLE	21.000 in
WD1000A16	2-520128-2 AMP FLAG TERMINAL(4M/RL)	1.000 ea
ML14-6L18	18 AWG, 6,PURPLE	21.000 in
WD1000A16	2-520128-2 AMP FLAG TERMINAL(4M/RL)	1.000 ea
WD1000A16	2-520128-2 AMP FLAG TERMINAL(4M/RL)	7.000 ea

SP5068A29	MODEL 34 TERM PANEL SWITCH "L"	1.000 ea
HA3169A07	THRUBOLT #8-32 THDS X 8.188" LONG	4.000 ea
MN416A01	TAG-INSTAL-MAINT no wire (2500bx)4/22	1.000 ea
LB1118	LABEL,WARNING (ROLL LABEL)	1.000 ea
NP1257L	ALUM UL CC THERMAL REV MTG	1.000 ea
34PA1002	PKG GRP, PRINT PK1001A01	1.000 ea
PK3083	STYROFOAM PACKING CRADLE	1.000 ea
PK3088	MICROFOAM, 8"X"8 PERF. SHEETS	1.000 ea

AC Induction Motor Performance Data

Record # 43213

Typical performance - not guaranteed values

Winding: 34WGR069-R001			Type: 3414C			Enclosure: TEAO		
Nameplate Data				230 V, 60 Hz: High Voltage Connection				
Rated Output (HP)			.33 AIR OVER	Full Load Torque	1.01 LB-FT			
Volts			115/230	Start Configuration	direct on line			
Full Load Amps			4.4/2.2	Breakdown Torque	3.21 LB-FT			
R.P.M.			1725	Pull-up Torque	0.498 LB-FT			
Hz	60	Phase	1	Locked-rotor Torque	0.611 LB-FT			
NEMA Design Code	- KVA Code		H	Starting Current	9.41 A			
Service Factor (S.F.)			1	No-load Current	1.66 A			
NEMA Nom. Eff.	66	Power Factor	75	Line-line Res. @ 25°C	8.3747 Ω A Ph 7.1689 Ω B Ph			
Rating - Duty			40C AMB-CONT	Temp. Rise @ Rated Load				

Load Characteristics 230 V, 60 Hz, 0.33 HP

% of Rated Load	25	50	75	100	125	150
Power Factor	47	59	69	75	80	84
Efficiency	35.9	53.3	62.8	68.4	71.3	72.9
Speed	1782.8	1770.3	1756	1741.4	1724.1	1705.6
Line amperes	1.69	1.76	1.91	2.11	2.32	2.59

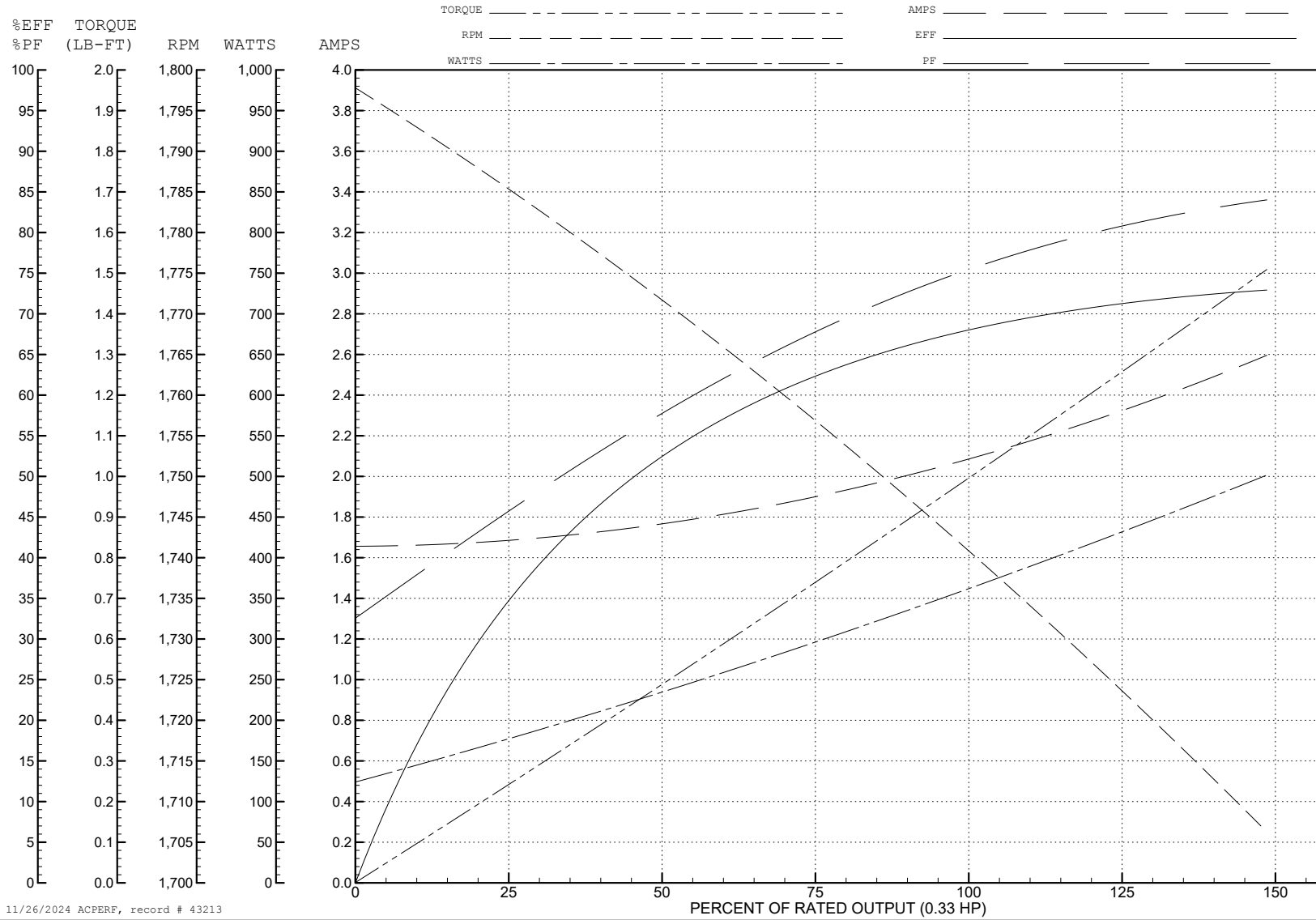
ABB Motors and Mechanical Inc.

WINDING # 34WGR069

Typical performance - not guaranteed values.

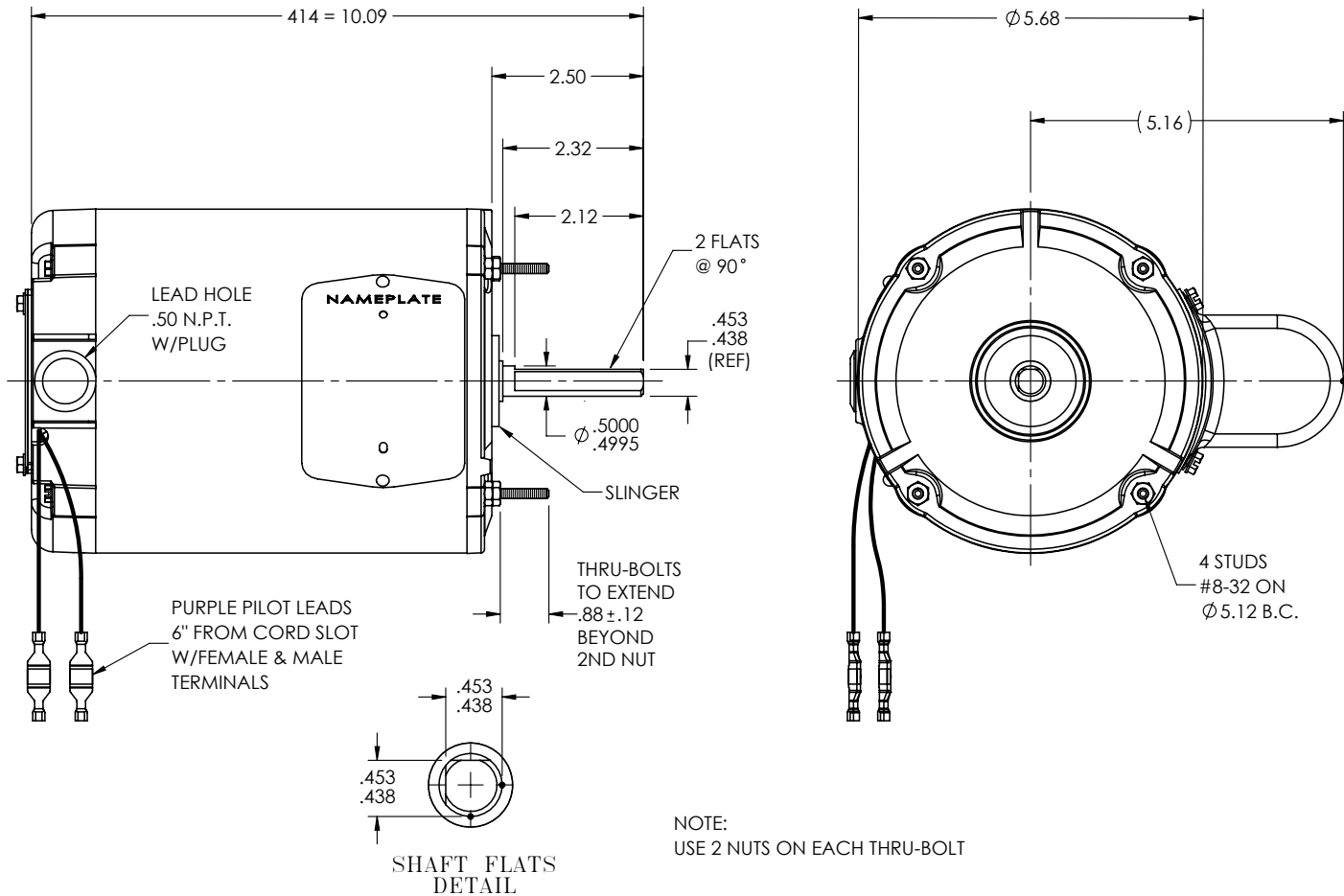
0.33 HP 1 PH 60 HZ 1725 RPM 230 V 3414C

TORQUES (LB-FT): PO=3.21 PU=0.498 LR=0.611 LRA=9.41



11/26/2024 ACPERF, record # 43213

34LYM259



NOTE:
USE 2 NUTS ON EACH THRU-BOLT

CUSTOMER IS RESPONSIBLE FOR DETERMINING THAT THE PRODUCT WILL PERFORM SUITABLY IN THE INTENDED APPLICATION

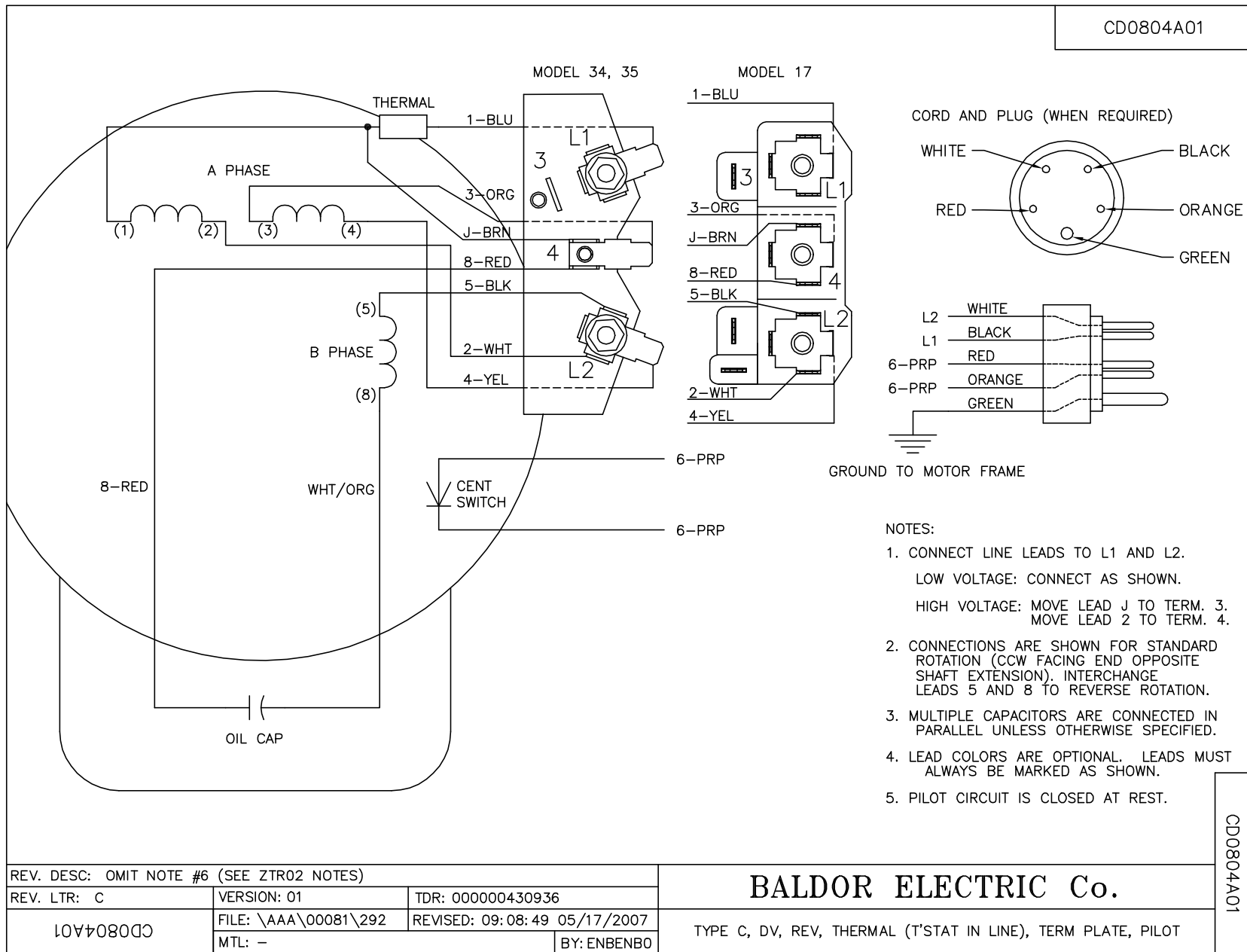
REV. DESC: UPDATE CONN'S SHOWING IN LAYOUYT TO WD1000A27, A28			
REV: B	VERSION: 02	REVISED: 10:26:40 06/21/2023	TDR: 000001211422
34LYM259		MODEL NO. 34LYM259	REF: -
		BY: ENJEFD0	

BALDOR - RELIANCE®

VER 34C NEMA 48Z TEAO TERM PANEL, PILOT CIRCUIT, CAP @ 3:00

34LYM259

CD0804A01



REV. DESC: OMIT NOTE #6 (SEE ZTR02 NOTES)		
REV. LTR: C	VERSION: 01	TDR: 000000430936
CD0804A01	FILE: \AAA\00081\292	REVISED: 09:08:49 05/17/2007
	MTL: -	BY: ENBENB0

BALDOR ELECTRIC Co.

TYPE C, DV, REV, THERMAL (T'STAT IN LINE), TERM PLATE, PILOT

CD0804A01