



---

# Customer information packet

## IDVSM3665T-5

5HP, 1750RPM, 3PH, 60HZ, 184TC, 0640M, TEFC, F1

Class - None

Division - Not Applicable

## Specifications

Enclosure	TEFC
Frame	184TC
Frame Material	Iron
Frequency	60.00 Hz
Haz Area Class and Group	None
Haz Area Division	Not Applicable
Motor Letter Type	Three Phase
Output @ Frequency	5.000 HP @ 60 HZ
Phase	3
Synchronous Speed @ Frequency	1800 RPM @ 60 HZ
Voltage @ Frequency	575.0 V @ 60 HZ
Agency Approvals	UR CSA
Ambient Temperature	40 °C
Auxillary Box	No Auxillary Box
Auxillary Box Lead Termination	None
Base Indicator	Rigid
Bearing Grease Type	Polyrex EM (-20F +300F)
Blower	None
Current @ Voltage	5.200 A @ 575.0 V
Design Code	B
Drip Cover	No Drip Cover
Duty Rating	CONT
Efficiency @ 100% Load	90.2 %
Electrically Isolated Bearing	Not Electrically Isolated
Feedback Device	NO FEEDBACK
Front Face Code	Encoder/Feedback Device
Front Shaft Indicator	No Key Or Flat
Heater Indicator	No Heater
High Voltage Full Load Amps	5.2 a
Insulation Class	F
Inverter Code	Inverter Duty

## Part detail

Revision	D
Type	AC
Mech. spec.	06H926
Base	
Status	PRD/A
Elec. spec.	06WGW357
Layout	06LYH926
Eff. date	09-25-2018
CD Diagram	CD0006
Poles	04
Leads	3#16
Proprietary	False
Created date	07-28-2016

<b>KVA Code</b>	J
<b>Lifting Lugs</b>	Standard Lifting Lugs
<b>Locked Bearing Indicator</b>	Locked Bearing
<b>Max Speed</b>	6000 rpm
<b>Motor Lead Exit</b>	Ko Box
<b>Motor Lead Quantity/Wire Size</b>	3 @ 16 AWG
<b>Motor Lead Termination</b>	Flying Leads
<b>Motor Standards</b>	NEMA
<b>Motor Type</b>	0640M
<b>Mounting Arrangement</b>	F1
<b>Number of Poles</b>	4
<b>Overall Length</b>	20.23 IN
<b>Power Factor</b>	80
<b>Product Family</b>	General Purpose
<b>Pulley End Bearing Type</b>	Ball
<b>Pulley Face Code</b>	C-Face
<b>Pulley Shaft Indicator</b>	Standard
<b>Rodent Screen</b>	None
<b>RoHS Status</b>	ROHS COMPLIANT
<b>Service Factor</b>	1.00
<b>Shaft Diameter</b>	1.125 IN
<b>Shaft Extension Location</b>	Pulley End
<b>Shaft Ground Indicator</b>	No Shaft Grounding
<b>Shaft Rotation</b>	Reversible
<b>Shaft Slinger Indicator</b>	No Slinger
<b>Speed</b>	1750 rpm
<b>Speed Code</b>	Single Speed
<b>Starting Method</b>	Direct on line
<b>Thermal Device - Bearing</b>	None
<b>Thermal Device - Winding</b>	Normally Closed Thermostat
<b>Vibration Sensor Indicator</b>	No Vibration Sensor
<b>Winding Thermal 1</b>	None
<b>Winding Thermal 2</b>	None

**Nameplate**

<b>NP3301L</b>			
<b>CAT NO</b>	IDVSM3665T-5		
<b>SPEC.</b>	06H926W357G1		
<b>FRAME</b>	184TC	<b>HP</b>	5 TE
<b>VOLTS</b>	575		
<b>MAG CUR</b>	2.7	<b>FLA</b>	5.2
<b>RPM</b>	1750	<b>RPM MAX</b>	6000
<b>HZ</b>	60	<b>PH</b>	3 <b>CLASS</b> F
<b>SER.F.</b>	1.00	<b>SL HZ</b>	1.7
<b>NEMA-NOM-EFF</b>	90.2	<b>WK2</b>	0.37
<b>RATING</b>	40C AMB-CONT		
<b>DE BRG</b>	6206	<b>ODE BRG</b>	6206
<b>CC</b>	010A	<b>SN</b>	
	-		
	-		

## Parts list

Part number	Description	Quantity
SA324709	SA 06H926W357G1	1.000 ea
RA312551	RA 06H926W357G1	1.000 ea
HW3201A05	3/8-16 EYEBOLT	1.000 ea
06CB1000A03	CONDUIT BOX, MACH	1.000 ea
06GS1000	GASKET, CONDUIT BOX	1.000 ea
51XW2520A12	SCREW, HEX SER SLT HD, ZN, 1/4-20 X .75	2.000 ea
11XW1032G06	10-32 X .38, TAPTITE II, HEX WSHR SLTD U	1.000 ea
HW3001B01	BRASS CUP WASHER, FOR #10 SCREW	1.000 ea
36EP1905A14	FREP FOR SPL CI FANCOVER, 206 BRG	1.000 ea
HW4500A01	1641B(ALEMITE)400 UNIV, GREASE FITT	1.000 ea
HW5100A06	W2420-025 WVY WSHR (WB)	1.000 ea
36PE1300A01	PU ENDPLATE, MACH	1.000 ea
HW4500A01	1641B(ALEMITE)400 UNIV, GREASE FITT	1.000 ea
10XN2520A26	1/4-20X 1 5/8 HEX HD	4.000 ea
HW1001A25	LOCKWASHER 1/4, ZINC PLT .493 OD, .255 I	4.000 ea
HA3101A34	THRUBOLT- 1/4-20 X 10.375	4.000 ea
06FH1005A16	FAN COVER, MACH FOR 36EP1905A14	1.000 ea
WD4100A02	DP-1000 HEYCO PLUG OR 62MP1000 MICRO PL	1.000 ea
10XN2520A36	1/4-20X 2 1/4 HEX HD X	4.000 ea
HW1001A25	LOCKWASHER 1/4, ZINC PLT .493 OD, .255 I	4.000 ea
HA1100A06	SCREEN, RODENT	1.000 ea
51XT1032A04	10-32X1/4 HX WA SL SR TYT (F/S)	4.000 ea
HA6881	BEI HS35 THRU SHAFT ENCODER PROTECTIVE C	1.000 ea
10XN3816A10	3/8-16 X 5/8 HEX HD CAP SCREW	3.000 ea
06CB1500A01	CONDUIT BOX LID, MACH	1.000 ea
06GS1001	BALDOR CONDUIT BOX GASKET	1.000 ea
10XN2520A12	1/4-20 X 3/4 HEX HEAD CAP	2.000 ea
HW1001A25	LOCKWASHER 1/4, ZINC PLT .493 OD, .255 I	2.000 ea
HW2501E16	KEY, 1/4 SQ X 1.750	1.000 ea
HA7000A02	KEY RETAINER RING, 1 1/8 DIA, 1 3/8 DIA	1.000 ea
85XU0407S04	4X1/4 U DRIVE PIN STAINLESS	2.000 ea

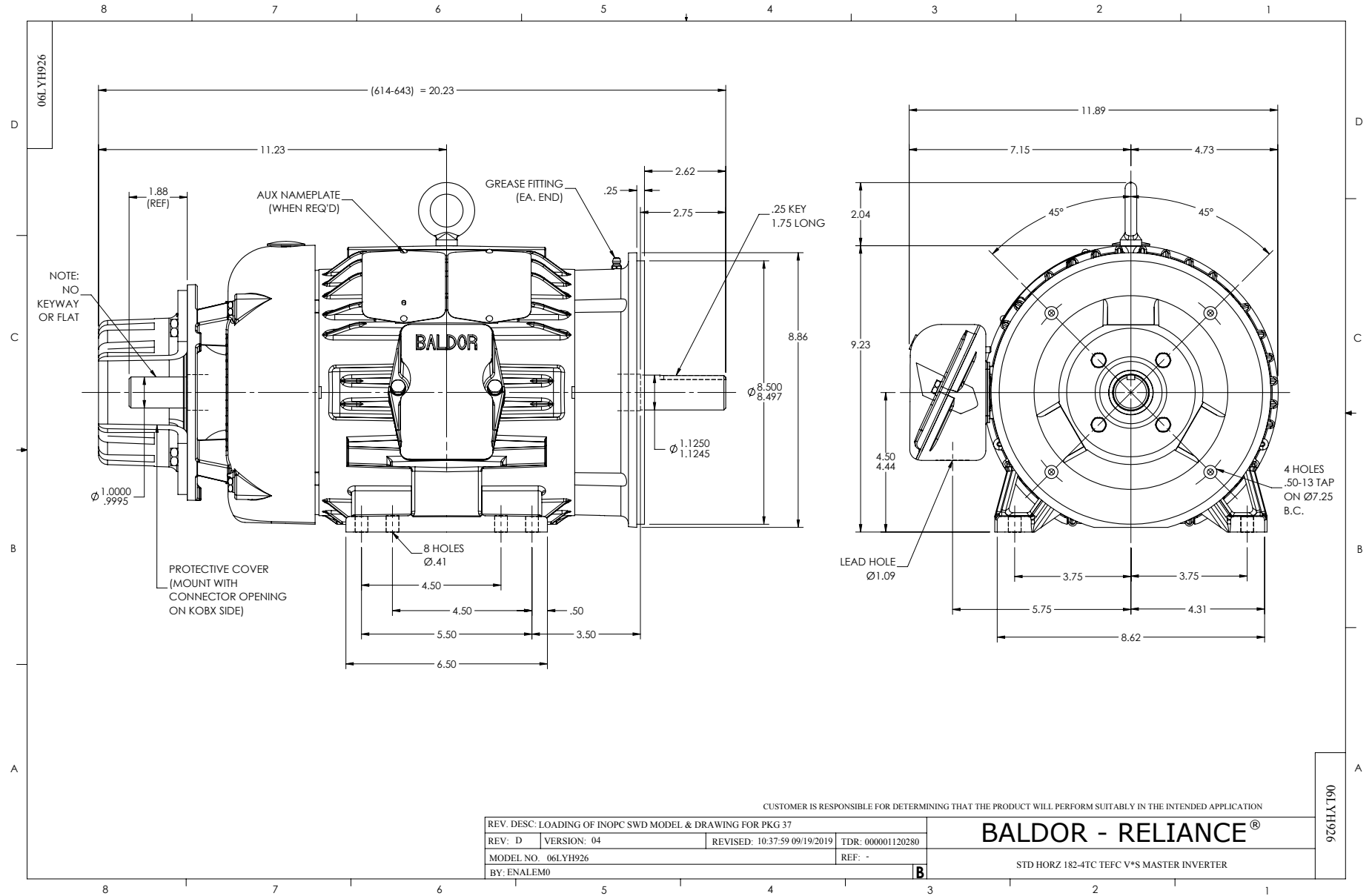
LB1624	COMBINED WARNING LABEL, ISO/ANSI PICTOGR	1.000 ea
MJ1000A02	GREASE, POLYREX EM EXXON	0.050 lb
36FN3000A02SP	EXFN, PLASTIC, 7.00 OD, 1.175 ID	1.000 ea
51XB1214A16	12-14X1.00 HXWSSLD SERTYB	1.000 ea
MG1025N19	MUNSELL 8.5BG 3.57/2.0, GLOSS 30, B/G,	0.028 ga
LC0006	CONNECTION LABEL	1.000 ea
NP3301L	SS INV UL CSA CC (W/OUT DESIGN FIELD)	1.000 ea
GOPA1000	PKG GRP, PRINT PK1026A06	1.000 ea
MN416A01	TAG-INSTAL-MAINT no wire (2500bx)4/22	1.000 ea



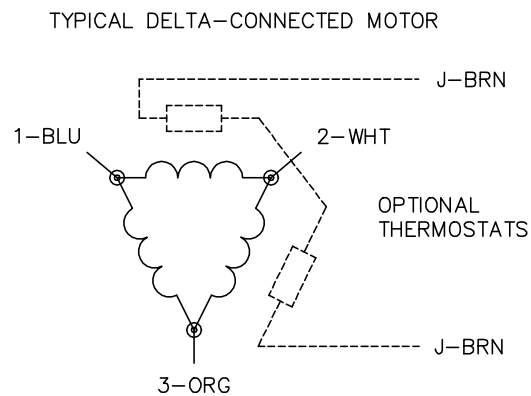
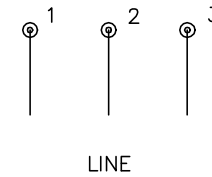
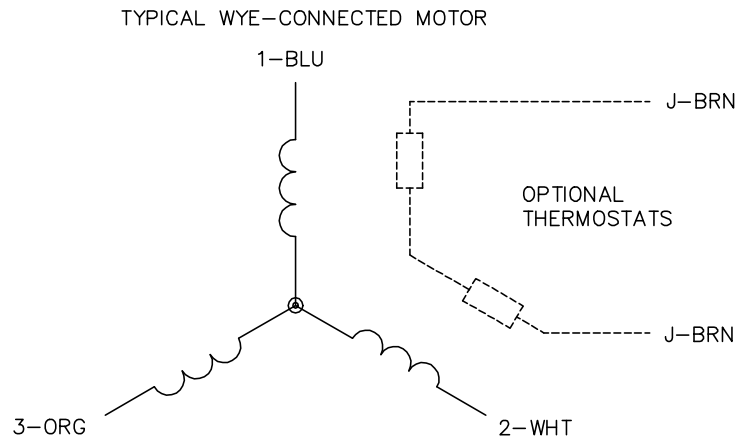








CD0006



NOTES:

1. THREE LEAD MOTOR MAY BE EITHER WYE CONNECTED OR DELTA CONNECTED.
2. INTERCHANGE ANY TWO LINE LEADS TO REVERSE ROTATION.
3. OPTIONAL THERMOSTATS ARE PROVIDED WHEN SPECIFIED.
4. ACTUAL NUMBER OF INTERNAL PARALLEL CIRCUITS MAY VARY.
5. LEAD COLORS ARE OPTIONAL. LEADS MUST BE NUMBERED AS SHOWN.

CD0006

REV. DESC: ADD CLASS CONN00000007		
REV. LTR: E	VERSION: 01	TDR: 000001099922
FILE: \AAA\00005\141	REVISED: 10:24:49 02/19/2019	BY: ENBRIRO
MTL: -	© □	

**BALDOR - RELIANCE®**

3PH, SV, 3 LEADS, WYE OR DELTA CONNECTED

SH 1 of 1