

**BALDOR • RELIANCE**

---

# Customer information packet

## JMEWDM4313T

75HP, 3555RPM, 3PH, 60HZ, 365TCZ, TEFC, F1

Class - None

Division - Not Applicable

## Specifications

Enclosure	TEFC
Frame	365TCZ
Frame Material	Iron
Frequency	60.00 Hz
Haz Area Class and Group	None
Haz Area Division	Not Applicable
Motor Letter Type	Three Phase
Output @ Frequency	75.000 HP @ 60 HZ
Phase	3
Synchronous Speed @ Frequency	3600 RPM @ 60 HZ
Voltage @ Frequency	230.0 V @ 60 HZ 460.0 V @ 60 HZ
Agency Approvals	CSA EEV CCSA US
Ambient Temperature	40 °C
Auxillary Box	No Auxillary Box
Base Indicator	Rigid
Bearing Grease Type	Polyrex EM (-20F +300F)
Current @ Voltage	161.000 A @ 230.0 V 80.700 A @ 460.0 V
Design Code	B
Drip Cover	No Drip Cover
Duty Rating	CONT
Efficiency @ 100% Load	94.5 %
Feedback Device	NO FEEDBACK
Heater Indicator	No Heater
High Voltage Full Load Amps	80.7 a
Insulation Class	F
Inverter Code	Inverter Ready
IP Rating	NONE
KVA Code	G
Lifting Lugs	Standard Lifting Lugs

## Part detail

Revision	B
Type	AC
Mech. spec.	
Base	
Status	PRD/A
Elec. spec.	A36WG0319
Layout	617436-346
Eff. date	08-30-2023
CD Diagram	416820-002
Poles	02
Leads	3#2,6#4
Proprietary	False
Created date	10-01-2019

<b>Motor Lead Quantity/Wire Size</b>	3 @ 2 AWG
<b>Motor Standards</b>	NEMA
<b>Motor Type</b>	A36068M
<b>Mounting Arrangement</b>	F1
<b>Number of Poles</b>	2
<b>Overall Length</b>	33.11 IN
<b>Power Factor</b>	92
<b>Product Family</b>	Washdown Features
<b>Pulley End Bearing Type</b>	Ball
<b>Pulley Face Code</b>	C-Face
<b>Service Factor</b>	1.15
<b>Shaft Diameter</b>	1.249 IN
<b>Shaft Ground Indicator</b>	No Shaft Grounding
<b>Shaft Rotation</b>	Reversible
<b>Shaft Slinger Indicator</b>	Shaft Slinger
<b>Speed</b>	3555 rpm
<b>Speed Code</b>	Single Speed
<b>Starting Method</b>	Direct on line
<b>Thermal Device - Bearing</b>	None
<b>Thermal Device - Winding</b>	None

**Nameplate**

---

NP2496L	
MOBIL POLYREX EM	

---

**NP2428L**

<b>SPEC NO.</b>	A36-7832-0319	<b>CAT.NO.</b>	JMEWDM4313T	<b>FRAME</b>	365TCZ				
<b>HP</b>	75	<b>VOLTS</b>	230/460	<b>PHASE</b>	3	<b>DESIGN</b>	B	<b>TYPE</b>	P
<b>RPM</b>	3555	<b>AMPS</b>	161/80.7	<b>HZ</b>	60	<b>AMB</b>	40	<b>SF</b>	1.15
<b>DRIVE END BEARING</b>	65BC03JGG30A	<b>DUTY</b>	CONT	<b>INSUL.CLASS</b>	F				
<b>OPP D.E. BEARING</b>	65BC03JGG30A	<b>ENCL</b>	TEFC	<b>CODE</b>	G				
<b>SER.NO.</b>		<b>POWER FACTOR</b>	92	<b>NEMA-NOM-EFFICIENCY</b>	94.5				
				<b>MAX CORR KVAR</b>	5	<b>GUARANTEED EFFICIENCY</b>	93.6		
	IP55			<b>NEMA NOM/CSA QUOTED EFF</b>					
	4:1CT AND 4:1VT ON VPWM INVERT			ER, 1.00SF	<b>MOTOR WEIGHT</b>				

## Parts list

Part number	Description	Quantity
SA375068	SA A36-7832-0319	1.000 ea
RA364953	RA A36-7832-0319	1.000 ea
421948032	LABEL, MYLAR	1.000 ea
NP2496L	MOTOR LUBE NAMEPLATE	1.000 ea
000613006PU	N/P (RELEASE QTY 10,000) UL CSA LABEL	1.000 ea
000692000CY	N/P	1.000 ea
000692000VD	LABEL WARNING	1.000 ea
NP2428L	WASHDOWN DUTY MOTOR, SS, CC, CSA-C	1.000 ea
085922073B	BRKT 360 085922072WCC KB	1.000 ea
415072001B	CLAMP	1.000 ea
078559075	FAN CVR E360 TEFC W/ NO LUBE ENTRY	1.000 ea
034180012DA	KEY 1X4X1/4X1-1/2 L	1.000 ea
412118006A	DRAIN	1.000 ea
702675001C	FAN 360	1.000 ea
004824015A	GREASE POLYREX EM	1.000 lb
032018012DN	HHCS 1/2-131-1/2 304S.S.	4.000 ea
032018008AN	HHCS 1/4-20X1 304 S.S.	4.000 ea
032018024CN	HHCS 3/8-16X3 304 S.S.	3.000 ea
415045002E	SLGR	1.000 ea
410700004F	WSHR	1.000 ea
423709011C	WASHER	3.000 ea
034690001AB	1/8" NPT SQHDPLG	1.000 ea
034690002AB	PPLG 1/4" PLTD.	1.000 ea
034690001AB	1/8" NPT SQHDPLG	1.000 ea
034690002AB	PPLG 1/4" PLTD.	1.000 ea
085922070HF	E360 C FACE BRACKET 6313 BRG TEFC- 4.640	1.000 ea
032018012DN	HHCS 1/2-131-1/2 304S.S.	4.000 ea
032018024CN	HHCS 3/8-16X3 304 S.S.	3.000 ea
415045002E	SLGR	1.000 ea
415028001AL	SEAL	1.000 ea
412118006A	DRAIN	1.000 ea

423709011C	WASHER	3.000 ea
076708141	CAST IRON 3" LEAD OUTLET	1.000 ea
065776000C	GASKET,MAIN CBOX, 320-400	1.000 ea
076709000A	C/B Cover - 360	1.000 ea
067053000B	GASK 320-400	1.000 ea
032018006AN	HHCS1/4-20X3/4304S.S.-360	4.000 ea
032018010CN	HHCS 3/8-16X1-1/4 304S.	4.000 ea
415000115H	T/LUG #2AWG-4/0AWG	1.000 ea
406099000A	PLUG - FAN COVER 320-440	1.000 ea
032018005DL	1/2-13 X 5/8 SILICON BRONZE HHCS	1.000 ea
034000014AF	WSHR 3/8 304 S.S.	4.000 ea
004824003AJF	WILKO781.01 WHITE2 COATS - MG1025W01	0.250 ga
033775004EA	DRSCR #6-1/4 304 S.S.	4.000 ea
033775004EA	DRSCR #6-1/4 304 S.S.	2.000 ea
034180020DA	KEY 1/4X1/4X2-1/2 L	1.000 ea
14PA1000	PACKAGING 314 GROUP COMBINED PRINT	1.000 ea
032510024D	CARRIAGE BOLT - 444	2.000 ea
034001014AB	FLAT WASHER 3/8"PLATED	2.000 ea
034001016AB	WSHR .562ID 1.375OD .109	2.000 ea
033300014AC	HEX NUT, SHIPPING - 400	2.000 ea
604799003C	PLASTIC BAG 42X32X46	1.000 ea









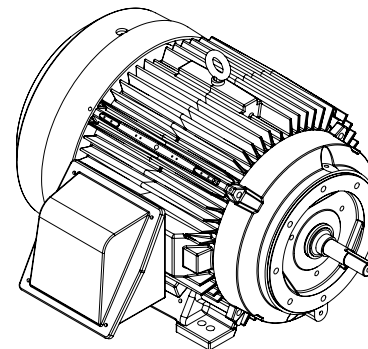
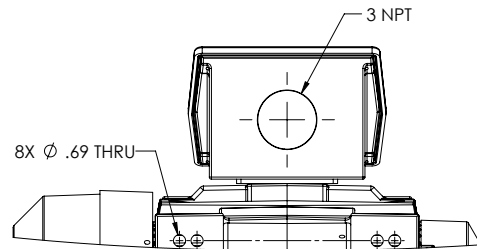
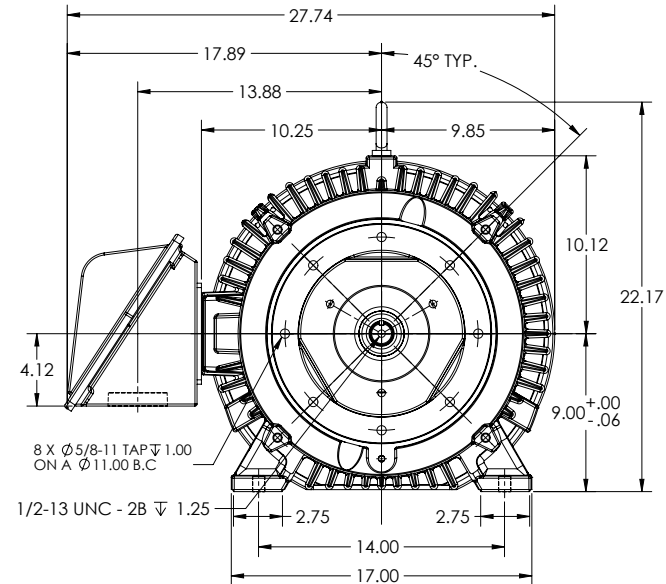
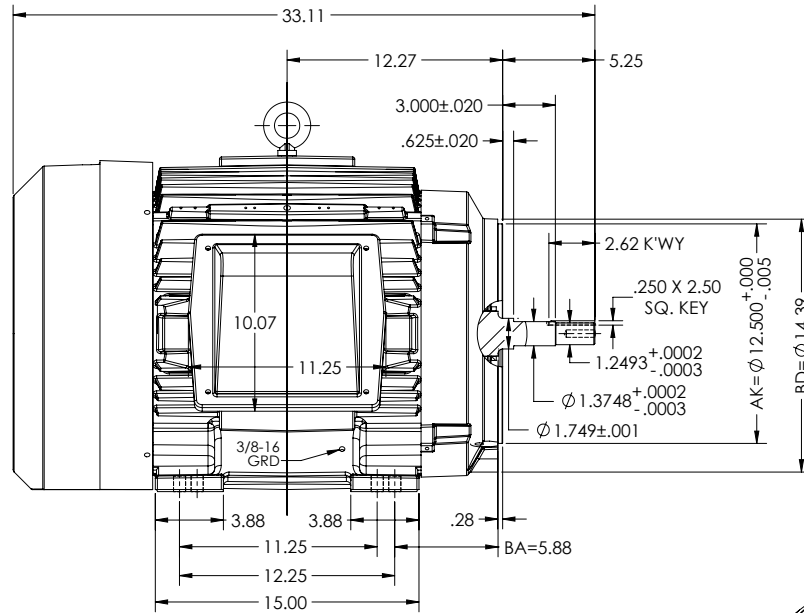
617436-346

### DUTY MASTER ALTERNATING CURRENT MOTORS SQUIRREL-CAGE INDUCTION

ENCLOSURE: TOTALLY ENCLOSED  
MOUNTING: FOOT, C-FACE, F-1 SIDE

FRAME 365TCZ  
INCLUDES 364TCZ FRAME MOUNTING HOLES  
326JM D.E. SHAFT EXT. PER 14LYP021

COOLING: FAN COOLED  
ENCLOSURE ENHANCEMENT: SEVERE DUTY



FACE RUNOUT & ECCENTRICITY .007 MAX T.I.R

IF MOUNTING CLEARANCE DETAILS ARE REQUIRED, CONSULT FACTORY.  
MAXIMUM PERMISSIBLE SHAFT RUNOUT WHEN MEASURED AT END OF  
STANDARD SHAFT EXTENSION IS .003" T.I.R.

DIMENSIONS ARE IN INCHES

CUSTOMER IS RESPONSIBLE FOR DETERMINING THAT MOTOR PERFORMANCE IS SUITABLE IN THE APPLICATION.

REV. DESC: NEW LAYOUT	VERSION: 00	REVISED: 09-14-39 09:30:2019	TDR: 000001121139
MODEL NO. 617436-346			
BY: USTREE			

**BALDOR**

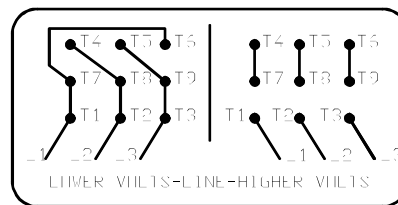
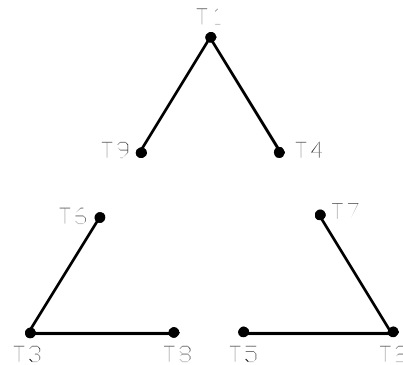
E365TCZ TEFC FT - F1 - SHAFT 326JM PER 14LYP021

617436-346

617436-346

416820-002

A-C MOTOR  
 CONNECTION DIAGRAM  
 STANDARD 9 LEAD DELTA-CONNECTED



(N.P. 1575-B)

416820-002

REV. DESC: FONT CHANGE FOR PDF SEARCHABLE		
REV. LTR: A	VERSION: 01	TDR: 000001009382
FILE: \MGA\00000\661	REVISED: 02:46:19 02/13/2020	BY: MGHMTT
MTL: -	© □	

**BALDOR - RELIANCE®**

CONN DIAG - STANDARD 9 LEAD, DELTA-CONNECTED

SH 1 of 1